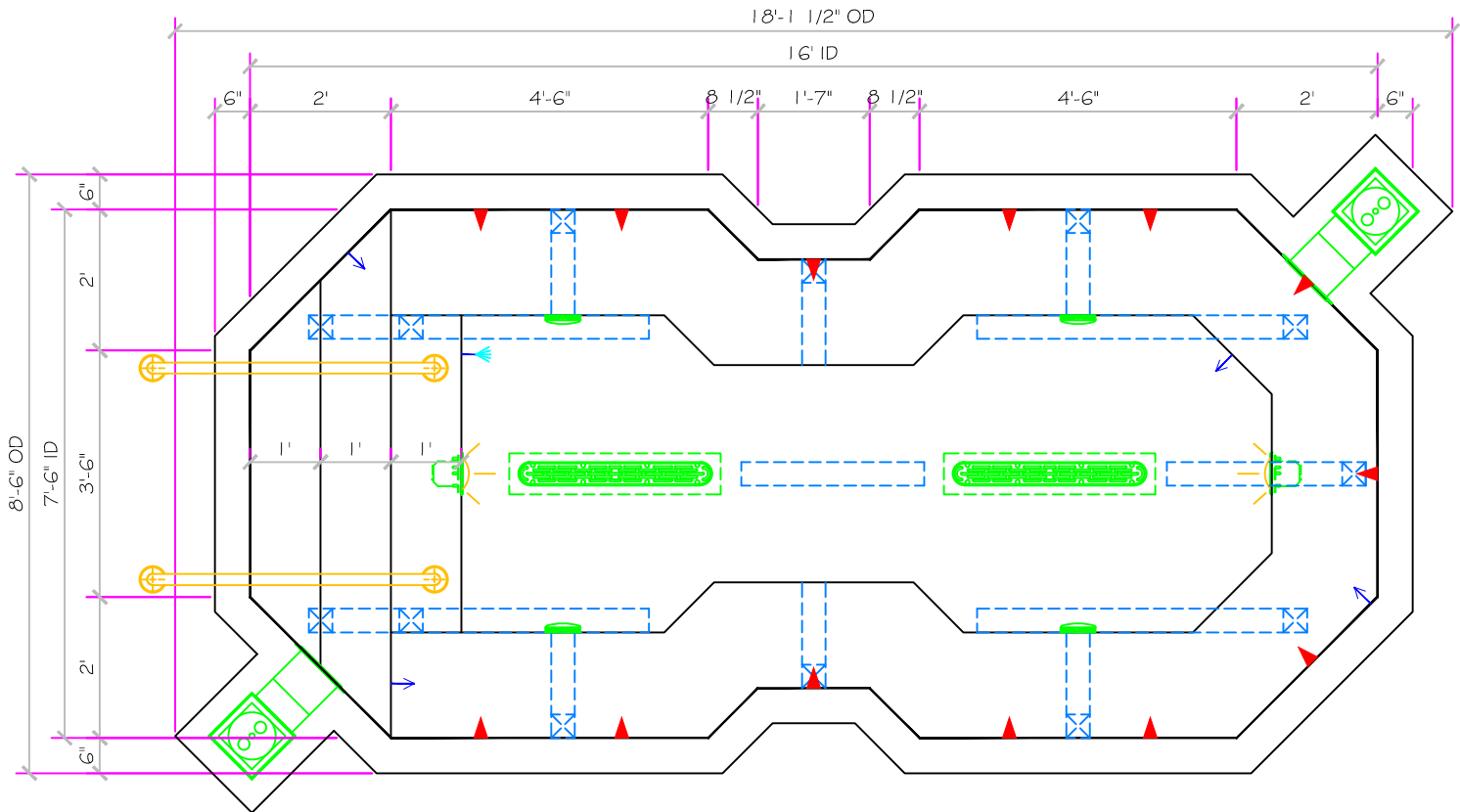
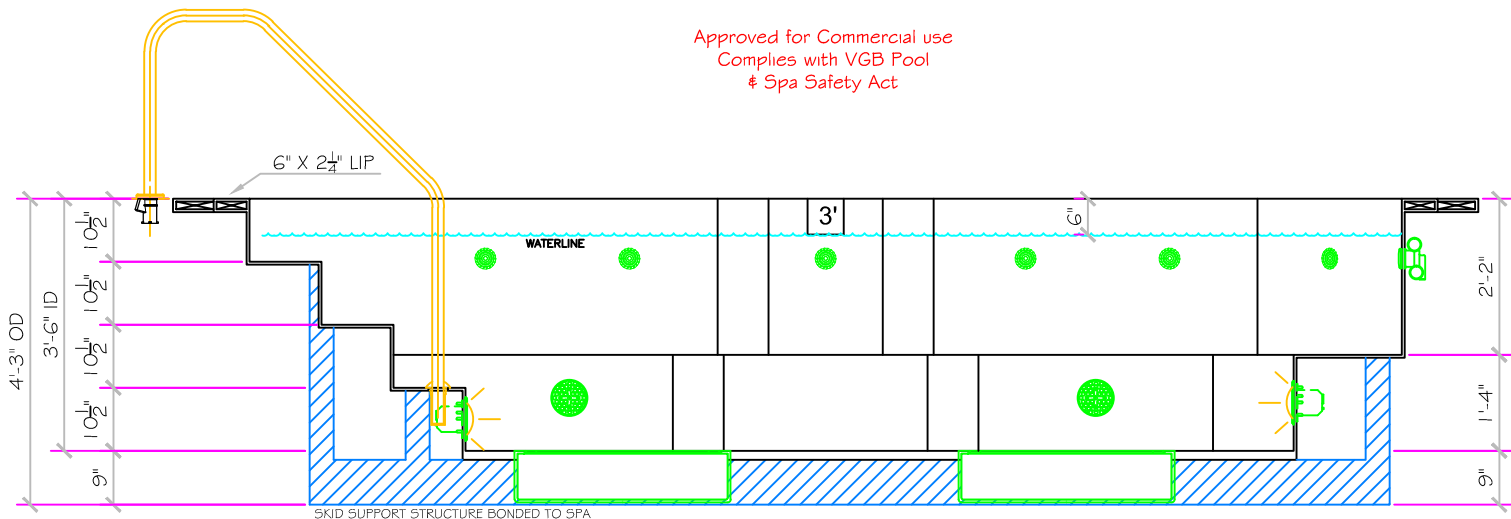


# 16' RENAISSANCE (SWIM SPA) ALL TILED SPA - Fits 10 Adults



Approved for Commercial use  
Complies with VGB Pool  
& Spa Safety Act



SKID SUPPORT STRUCTURE BONDED TO SPA

SPECIFICATIONS	
SHELL WEIGHT	3100 LBS.
WATER WEIGHT	14287 LBS.
TOTAL SHELL & WATER WEIGHT	17386.9 LBS.
WATER VOLUME	290 Cu.Ft.
MAX WATER GAL.	2169 GAL.
SURFACE AREA	108.8 SQ. FT.
IAPMO#	1138
FDA#	2030305

**SKID SUPPORT STRUCTURE BONDED TO SPA**

SKIDS SUPPLIED BY NESPA

**LIGHT NICHE**

SPA W/OD: 120 V, 150 WATT, 50' COORD. UL APPROVED

**MAIN DRAIN**

AquaStar 320DFR 3/8" 30' Channel Drain, Approved Max Flow Rate = 138 GPM @ 3.4 ft. W/M = 138 GPM @ 1.9 ft. (UL Approval: Safety Drain)

**SIDEWALL SUCTION**

6" Round Heavy Duty Aquatic Suction Suction Suction Outlet 16x10x1/2" GPM @ 8.3psi Complies w/ ANSI Code ASME A112.19.5-07 & VGB 2001

**SKIMMER**

HAYWARD SP 606RVE SURFACE NUMBER W/ EQUAL LIP. NSF APPROVED

**JET**

HAYWARD SP 606RVE 1-1/2" HR COMPRES W/ ANSI CODE ASME A112.19.5-07 UL APPROVED

**RETURN**

1" PEX-ALB FITTINGS W/ EVERALL (1) 606RVE #15-300 COMPLIES W/ ANSI CODE ASME A112.19.5-07 UL APPROVED

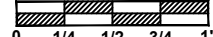
**FILL**

1" PEX-FIBERGLASS FITTINGS W/ EVERALL (1) 606RVE #15-300 COMPLIES W/ ANSI CODE ASME A112.19.5-07 UL APPROVED

## NESPA ENTERPRISES INC.

2800 Richter Ave. Suite C Oroville, CA 95966  
Office: (530) 534-9910 Fax: (530) 534-9915  
E-Mail: [jim@tiledspas.com](mailto:jim@tiledspas.com) Web Site: [www.tiledspas.com](http://www.tiledspas.com)

SCALE  
3/8" = 1'



DWG TYPE

SD

DWG NAME COMMERCIAL MODELS 2011

DATE 9/6/2011

SHEET PAGE 1 OF 1