

16' RENAISSANCE (SWIM SPA)

ALL TILED SPA - Fits 10 Adults

| SPECIFICATIONS | |
|----------------|-------------|
| DRY WEIGHT | 3100 LBS. |
| TOTAL WEIGHT | 21185 LBS. |
| WATER | 2169 GAL. |
| VOLUME | 290 Cu.Ft. |
| WEIGHT | 18085 LBS. |
| SURFACE AREA | 109 SQ. FT. |
| IAPMO# | 1138 |
| FDA# | 2030305 |

SKID SUPPORT STRUCTURE BONDED TO SPA

☒ ☒ ☒

*SKIDS SUPPLIED BY NESPA

LIGHT NICHE

☒ SPA BRIGHT, 120 V., 100 WATT, 90° CORD, UL APPROVED

MAIN DRAIN

☒ AquaStar 32CDFLR, 32" Channel Drain, Approved Max Flow Rate: Floor = 236 GPM @ 3.4 fps Wall = 136 GPM @ 1.9 fps V.G.B. Approved Safety Drain

SIDEWALL SUCTION

☒ AquaStar 50V, 12" Dia Frame, Approved Max Flow Rate: Floor = 88 GPM @ 3.2 fps Wall = 70 GPM @ 2.0 fps 8.8 Sq In - Open Area V.G.B. Approved Safety Drain

EQUALIZER

☒ 5" HIGH FLOW SUCTIONS Waterway 64G-3874V Super Hi-Flow Suction Assy. Max Flow 180 GPM Complies w/ ANSI Code ASME A112.19.8-2007 & VGB 2008

SKIMMER

☒ HAYWARD SP-10M1PVE SURFACE SKIMMER W/ EQUALIZER, NSF APPROVED

JET

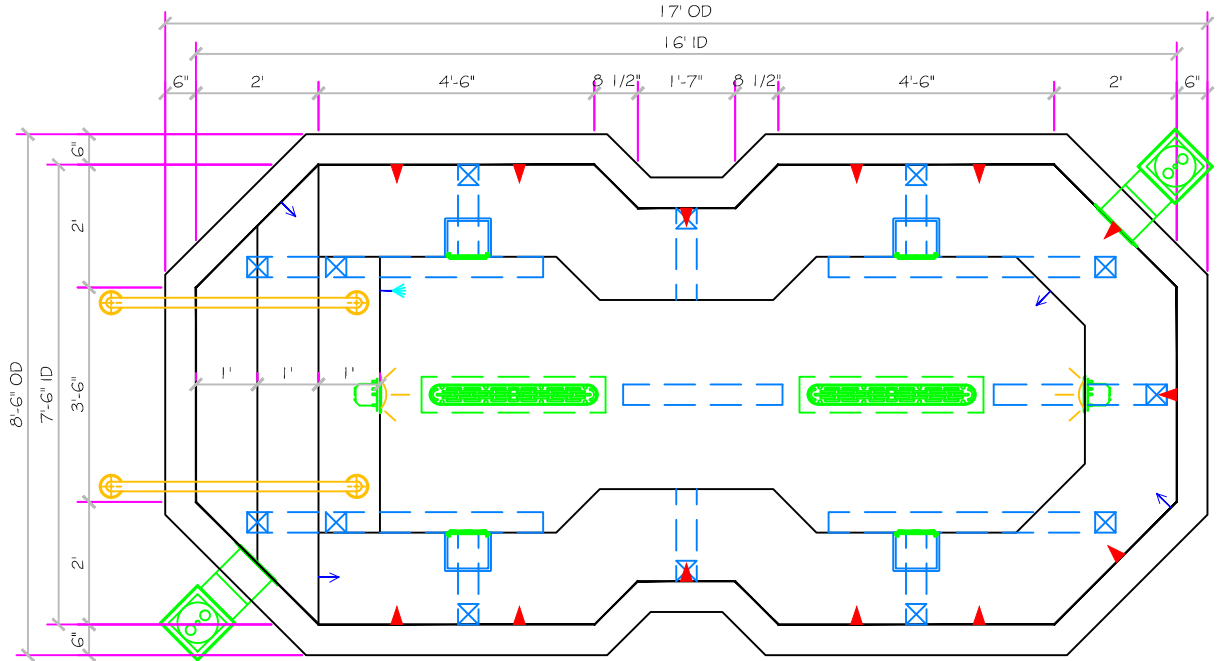
☒ HYDRO INLETS 1-1/2" WATER - 1-1/2" AIR HYDRAPAR #10-350 COMPLIES W/ ANSI CODE ASME A112.19.8-07 UL APPROVED

RETURN

☒ INLET FITTINGS 1-1/2" WALL TYPE W/ EYEBALL HYDRAPAR #10-350 COMPLIES W/ ANSI CODE ASME A112.19.8-07 UL APPROVED

FILL

☒ INLET FITTINGS 1-1/2" WALL TYPE W/ EYEBALL HYDRAPAR #10-350 COMPLIES W/ ANSI CODE ASME A112.19.8-07 UL APPROVED



Approved for Commercial use
Complies with VGB Pool
& Spa Safety Act

