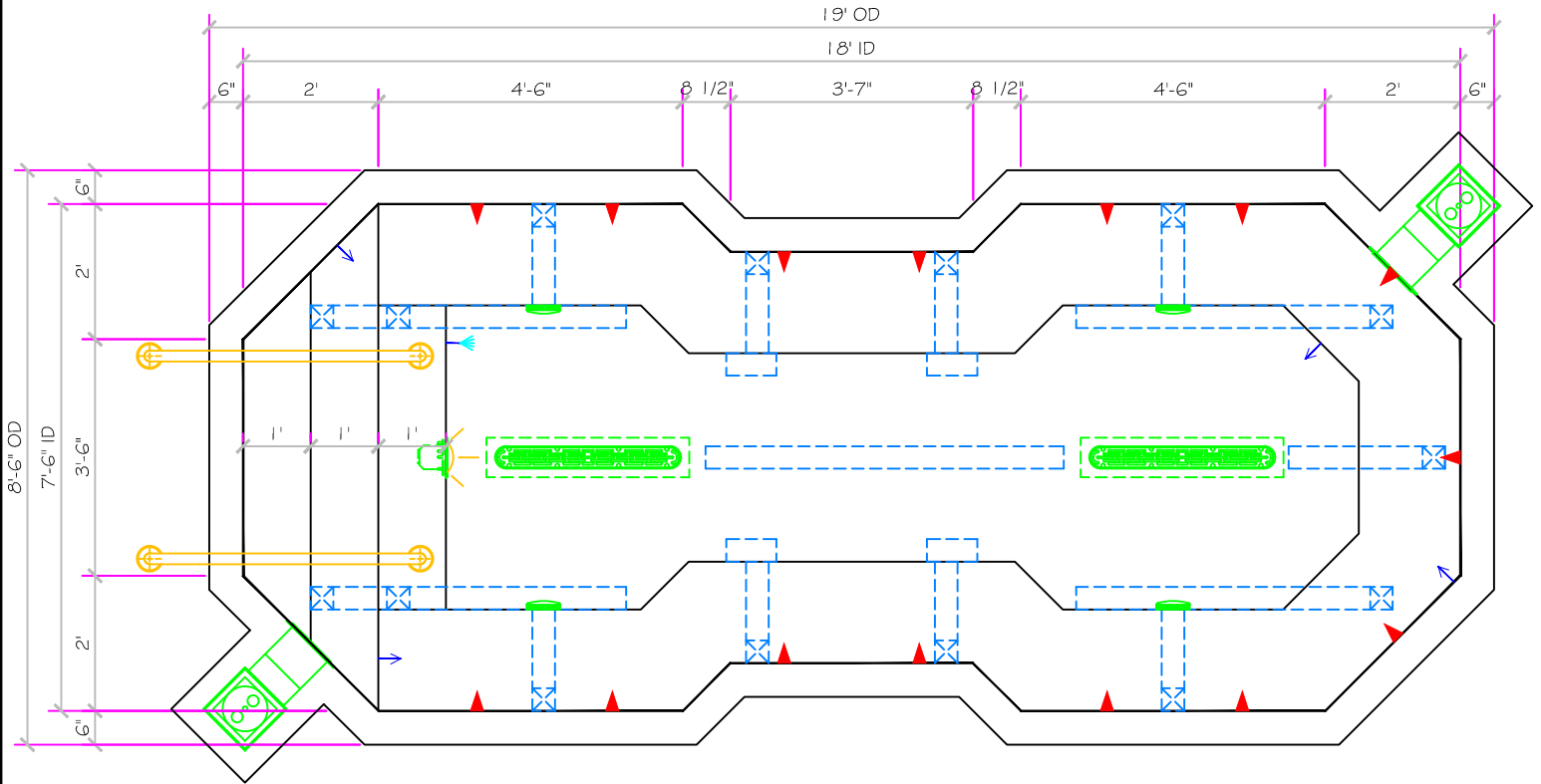
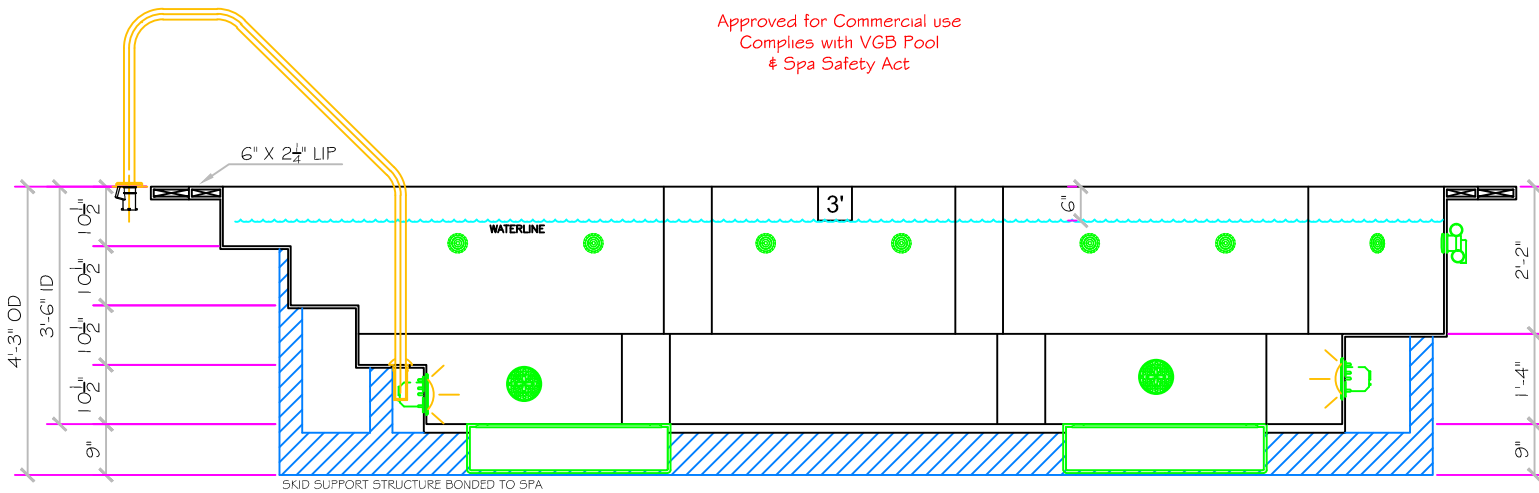


# 18' RENAISSANCE (SWIM SPA)

ALL TILED SPA - Fits 12 Adults



Approved for Commercial use  
Complies with VGB Pool  
& Spa Safety Act



SPECIFICATIONS	
SHELL WEIGHT	3350 LBS.
WATER WEIGHT	16214 LBS.
TOTAL SHELL & WATER WEIGHT	19563.8 LBS.
WATER VOLUME	325 Cu.Ft.
MAX WATER GAL.	2431 GAL.
SURFACE AREA	120.9 SQ. FT.
IAPMO#	1138
FDA#	2030305

**SKID SUPPORT STRUCTURE\* BONDED TO SPA**

SKIDS SUPPLIED BY NESPA

**LIGHT NICHE**

30W BRGHT, 120 V, 100 WATT, 50 CIRC, U.L. APPROVED

**MAIN DRAIN**

AquaStar 32CDFLR, 32" Channel Drain, Approved Max Flow Rate: Floor ± 236 GPM @ 3.4 ft. Wd ± 138 GPM @ 1.0 ft. V.G.B. Approved Safety Drain

**SIDEWALL SUCTION**

2" Round Suction Outlet, Standard 60MP4000, Sumpless Suction Outlet, Flow/NIB 224 GPM @ 6.8 ft. Complies w/ ANSI Code ASME A112.19.4-07 & VGB 2008

**SKIMMER**

HAYWARD SP-108FVE SURFACE SKIMMER W/ EYEBALL, NSF APPROVED

**JET**

HYDRO BILETS, 1-1/2" WATER, 1-1/2" AIR, HYDROCAR #10300, COMPLIES W/ ANSI CODE ASME A112.19.4-07 U.L. APPROVED

**RETURN**

BILET FITTINGS, 1/2" WALL TYPE W/ EYEBALL, HYDROCAR #10300, COMPLIES W/ ANSI CODE ASME A112.19.4-07 U.L. APPROVED

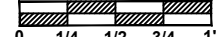
**FILL**

BILET FITTINGS, 1/2" WALL TYPE W/ EYEBALL, HYDROCAR #10300, COMPLIES W/ ANSI CODE ASME A112.19.4-07 U.L. APPROVED

## NESPA ENTERPRISES INC.

2800 Richter Ave. Suite C Oroville, CA 95966  
Office: (530) 534-9910 Fax: (530) 534-9915  
E-Mail: [jim@tiledspas.com](mailto:jim@tiledspas.com) Web Site: [www.tiledspas.com](http://www.tiledspas.com)

SCALE  
3/8" = 1'



DWG TYPE

SD

DWG NAME COMMERCIAL MODELS 2011

DATE 9/6/2011

SHEET PAGE 1 OF 1