



NESPA
TILED SPAS

Production Booklet

for

2018 SHOW SPA

2800 Richter Ave. Suite C, Oroville, CA 95965 • **voice:** (530)534-9910
fax: (530)534-9915 • **email:** sales@tiledspas.com • **website:** www.tiledspas.com



RECOMMENDED MAINTENANCE

Please Note:

These are only recommended guidelines to care for a Nespa all tiled spa. Local codes may require additional procedures, therefore consult with a pool professional that is LA county Health Department certified for more information on local codes and requirements.

SPA SURFACE

Your spa tile is acid resistant and frost-proof. The Tile does not absorb germs or algae. Tile does not stain and is very easy to clean. Color does not fade or lose its luster. All grouts are epoxy based and are extremely durable. To remove scum line use soft nylon brush and small amounts of biodegradable soaps. Do not use abrasive brushes or chemicals.

MAINTENANCE

A. CHEMICALS:

- 1) It is important to maintain a chlorine residual of 2 PPM in the spa. That residual can be provided by chlorine or bromine.
- 2) It is recommended to use Bromine or dichlor (granular) forms of chlorine. If bromine Tabs are used we suggest floating or inline dispenser.
- 3) Never use acid to lower Ph in the tile spa.
- 4) Never use trichlor chlorine (1" or 3") tablets in the Nespa spas.
- 5) Never place tablets in skimmer basket.

B. DRAINING THE SPA:

- 1) It is recommended to drain the spa at least once every 2 months depending on bath load and water clarity.
- 2) The spa should be drained through valve exiting re-circulation pump in the spa equipment room or sump pump.
- 3) Note: Use caution to drain spa in the winter months or rainy season when water table is at its highest. It is possible for the spa to float due to hydraulic pressure from surrounding water table. We advise that you consult with your local spa specialist prior to draining the spa.

C. SPA EQUIPMENT:

- 1) Clean filter cartridge at least once every month, or when needed; i.e., if water clarity does not improve after several days.
- 2) Keep area free and clear from leaves and debris build-up.
- 3) Keep area free and clear from flooding.

D. SPA LIGHT:

- 1) Spa light has to be on GFCI circuit. It is controlled at spa side with ON/OFF.

E. TILE SERVICING:

- 1) Contact manufacture when servicing tile or grout. @ (530) 534-9910



MODEL: NESPA B10211V
Spa Power Pack

SERIAL: NSC-B10211V-2018

CODE: Nespa-04122018-B10211V

VOLTS: 240V/ 60HZ/ 4 Wire

AMPS: 40A

PRODUCT: NESPA B10211V

Power Requirements:

240VAC, 60HZ, 40A,
Class A GFCI-protected
service (Circuit Breaker
Rating = 50A max.)
4 Wires (Hot-Line 1,
Hot-Line 2, Neutral, Ground)

Balboa Auxiliary 5.5kw Heater Requirements:

240VAC, 60HZ, PH1, 30 Amp, Class A GFCI -
Protected service (Circuit Breaker Rating = 30A Max)

NESPA ENTERPRISES, Inc.



SERIAL #
NSC-B10211V

ICC ES Listed PMG-1161

⚠ WARNING ^a

REDUCE THE RISK OF ELECTROCUTION ^b

1. Never place an electric appliance within 5 feet of spa. ^c

REDUCE THE RISK OF CHILD DROWNING ^b

1. Supervise children at all times. ^c
2. Attach spa cover after each use. ^c

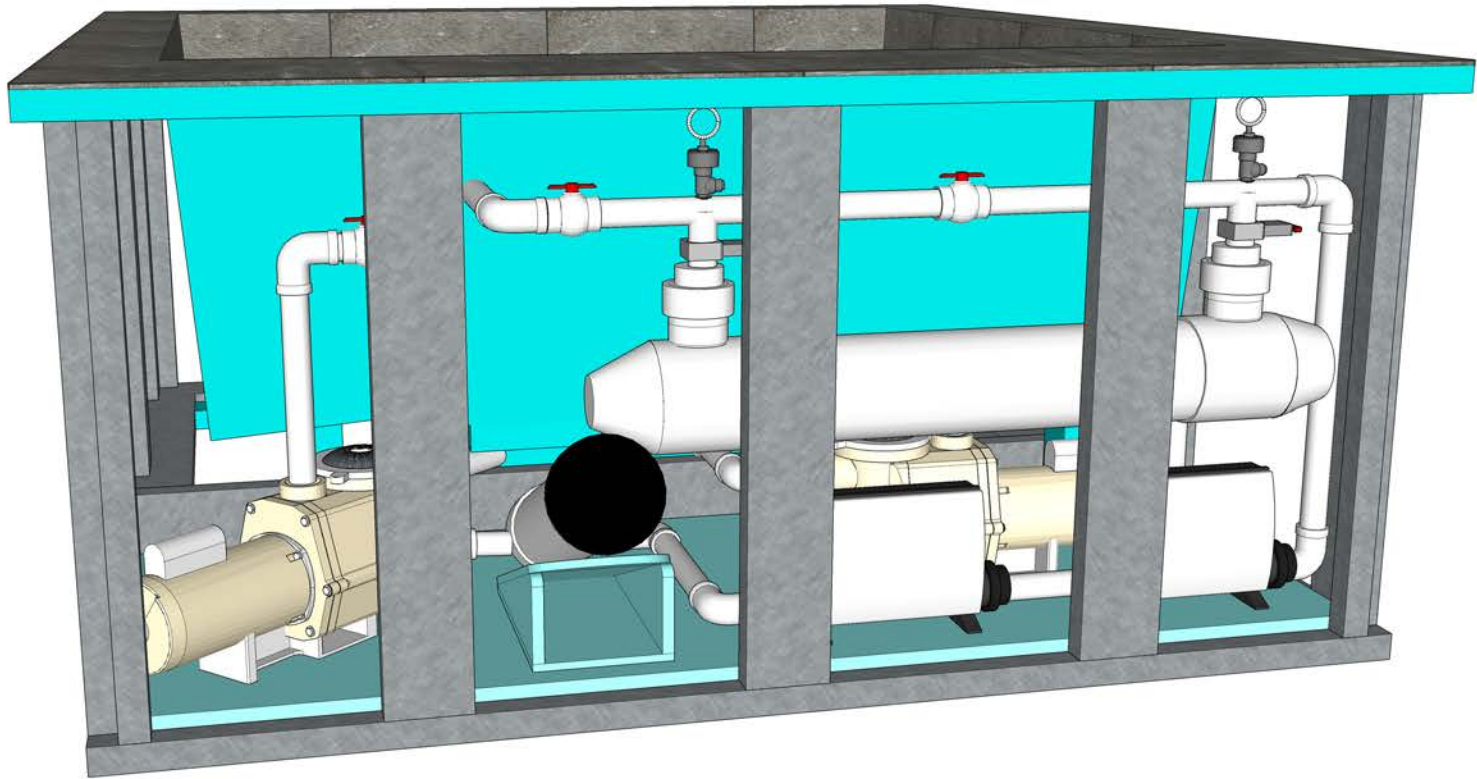
REDUCE THE RISK OF OVERHEATING ^b

1. Check with a doctor before use if pregnant, diabetic, in poor health, or under medical care. ^c
2. Exit immediately if uncomfortable, dizzy, or sleepy. Spa heat can cause hypothermia and unconsciousness. ^c
3. Spa heat in conjunction with alcohol, drugs, or medication can cause unconsciousness. ^c

WHEN PREGNANT ^b, soaking in hot water for long periods can harm your fetus. Measure water temperature before entering. ^c

1. Do not enter spa if water is hotter than 100° F (38° C). ^c
2. Do not stay in spa for longer than 10 minutes. ^c







Filter Valve 1

Flow Meter

Filter Valve 2

Filter Pump suction 1

Drain Valve

UV Bypass Valve close when in USE

Booster Suction

UV Slice Valves OPen when in USE

Booster Return Valve



1

2

3

4

STAR-RITE
PUMP & FILTER
SERIAL # HBC 010211V
ICD 03 Listed FMQ-1101

WARNING: Read the instructions carefully before using this product. Failure to follow the instructions may result in property damage, personal injury, or death.

OUTLET
BALI SPA

INLET
BALI SPA

BP
Spa Control System
BALI SPA

Auxiliary
Spa Control System
BALI SPA





BP501/601

"The Next Generation of Spa Controls"

- Wi-Fi Ready
- New Features in New Enclosure
- The first of a new series of systems
- Press & Hold Buttons for ease of use
- Based on Balboa's most popular model's
- Higher flame retardant and impact resistant materials



Made in the USA
BALBOA
water group

Incomparable System Reliability

The BP501/601 is the first of a new series based on Balboa's most popular models, utilizing advanced technology and higher flame retardent and impact resistant materials. Wi-Fi Enabled with press and hold buttons for ease of use, meet the newly designed BP501/601.

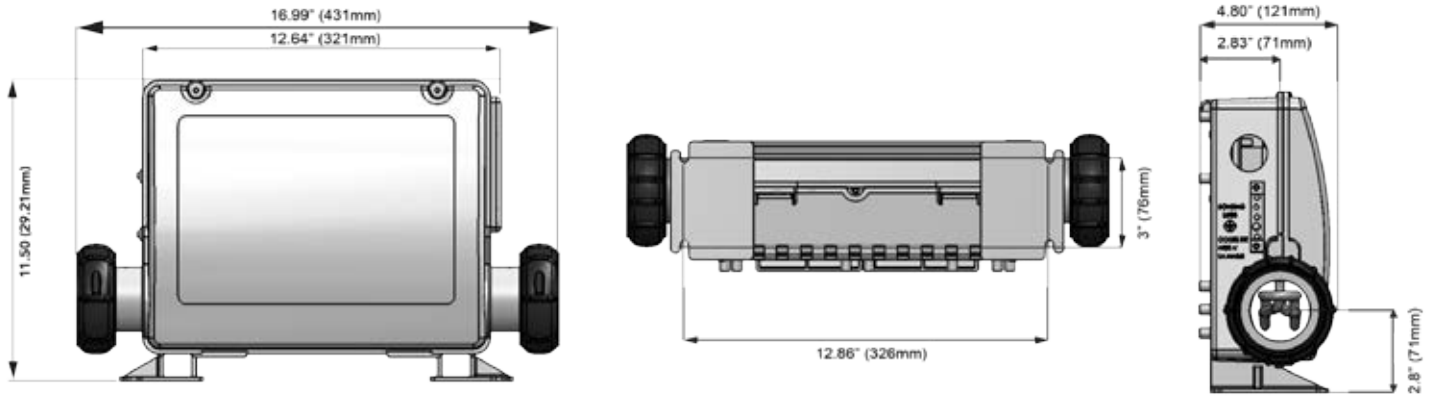
System Specifications

Voltage Supply: (BP501: 120V or 240V) (BP601: 230V)

Sensors: M7 patented temperature probes

Certifications: (BP501: UL recognized) (BP601: NEMKO)

Spa Lights Controls: 1 Amp Max



BP501 System Specifications (UL Recognized)

Material No.	Descriptions	Pump 1	Pump 2 or Blower	Pump 3 (Optional with Expander Card)	Heater
56485	SYSTEM BALBOA BP501G1 800INC – 60 Hz	2 spd or 1 spd with Circ	1 spd	NA	5.5 kW 800 Incoloy
56586	SYSTEM BALBOA BP501G1 825INC – 60 Hz	2 spd or 1 spd with Circ	1 spd	NA	5.5 kW 825 Incoloy
56487	SYSTEM BALBOA BP501G1 TITAN – 60 Hz	2 spd or 1 spd with Circ	1 spd	NA	5.5 kW Titanium
56480	SYSTEM BALBOA BP501G2 800INC	2 spd or 1 spd with Circ	1 spd	2 spd	5.5 kW 800 Incoloy
56486	SYSTEM BALBOA BP501G2 825INC	2 spd or 1 spd with Circ	1 spd	2 spd	5.5 kW 825 Incoloy
56482	SYSTEM BALBOA BP501G2 Titanium	2 spd or 1 spd with Circ	1 spd	2 spd	5.5 kW Titanium

BP601 System Specifications - Single Phase (CE Recognized)

Material No.	Descriptions	Pump 1	Pump 2 or Blower	Pump 3 (Optional with Expander Card)	Heater
56497	SYSTEM BALBOA BP601G1 800INC – 50 Hz	2 spd or 1 spd with Circ	1 spd	NA	3.0 kW 800 Incoloy
56498	SYSTEM BALBOA BP601G1 825INC – 50 Hz	2 spd or 1 spd with Circ	1 spd	NA	3.0 kW 825 Incoloy
56499	SYSTEM BALBOA BP601G1 TITAN – 50 Hz	2 spd or 1 spd with Circ	1 spd	NA	3.0 kW Titanium

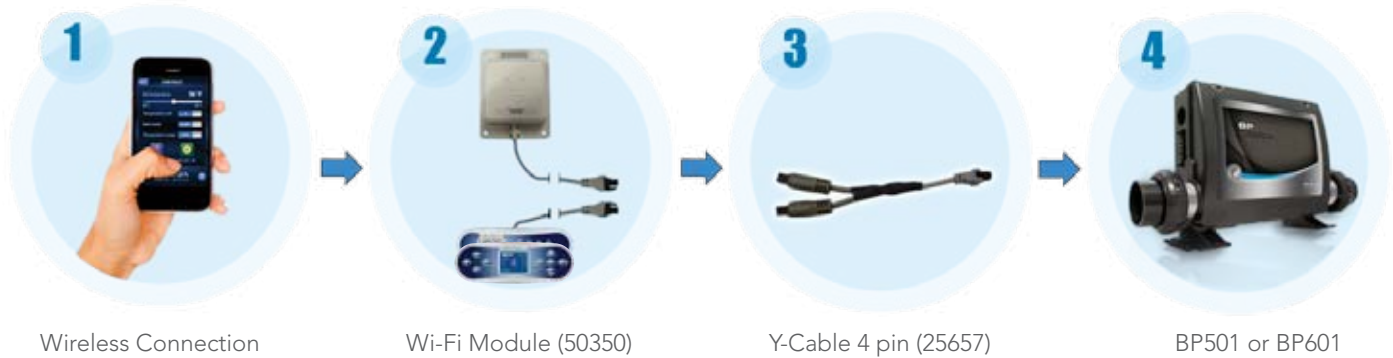
Note: Refer to tech sheet for optional devices and setups.

Material No.	Descriptions
55911	2" Tailpieces (2-Speed Pump 1). Compatible Plumbing Kits (Coupling nuts and seals included).

BP501/601 Wi-Fi Enabled

Wireless System Control

Now you can control your system wirelessly. With a few simple connections and some additional hardware you can have full control of your spa system. To download the software go to the Apple Apps store and download the free spa app, run through the quick setup and your done.



Powerful, Yet Simple Userface

A sleek new topside panel includes a large easy to read back-lit LCD with simple to follow end user menus. With new press and hold button technology, setting temperature and other common tasks have been simplified. User navigation is intuitive and easier than ever, reducing customer service help calls.

BP501/601 Panels And Overlays

Compatible Topside Panels



Panel TP400

- 4 button with LCD display

Material No.:

- 55702: No Overlay (TP400W)
- 55701: No Overlay (TP400T)
- 50259: With Overlay (12510)
- 50260: With Overlay (12511)



Panel TP600

- 6 button with LCD display

Material No.:

- 55676: No Overlay
- 56046: 15ft. Cord
- 50016: For International
- 55673: With Overlay (12101)
- 50014: For Intl' with overlay (12101)



Panel TP800

- 9 button with LCD display

Material No.:

- 50204: No Overlay
- 50261: With Overlay (12512)

Documentation Not Required – New User Friendly Interface

The sleek new topside panel includes a large easy to read backlit LCD with simple to follow end user menus. With new press and hold button technology, setting temperature and other common tasks have been simplified. User navigation is intuitive and easier than ever, reducing customer service help calls.



Overlay 12198 (Jet 1, Jet 2, Flip, Warm, Cool)



Overlay 12511 (Temp, Jets, Light, Aux)



Overlay 12101 (Jets, Aux, Flip, Warm, Cool)



Overlay 12510 (Warm, Cool, Lights, Jets)

Panel TP600

- 56046-01 (TP600 15 ft cable no overlay)
- 56047-01 (TP600 15 ft)
- 50056-01 (TP600 2 Jets with overlay 12198)
- 55673-05 (TP600 with overlay 12101)
- 55676-05 (TP600 no overlay)

Panel TP400

- 55701 (TP400T no overlay)
- 50260 (TP400T with overlay 12511)
- 55702 (TP400W no overlay)
- 50260 (TP400W with overlay 12510)

MANUFACTURED UNDER ONE OR MORE OF THESE PATENTS: U.S. PATENTS: 5332944, 5361215, 5550753, 5559720, 5,883,459, 6253227, 6282370, 6590188, 6976052, 6965815, 7030343, 7,417,834 B2, CANADIAN PATENT: 2342614, AUSTRILIAN PATENT: 2373248 OTHER PATENTS BOTH FOREIGN AND DOMESTIC APPLIED FOR AND PENDING. ALL SOFTWARE COPYRIGHT BALBOA WATER GROUP.

BP501/601_813

©2013 Balboa Water Group. All rights reserved. Your Single Source Solution.
1382 Bell Avenue | Tustin, CA 92780 | p 714.384.0382 | www.balboawatergroup.com

Balboa reserves the right to change technical data without further notice.



System:2 Mod Media™

PLM Series Aboveground Systems

by Sta-Rite

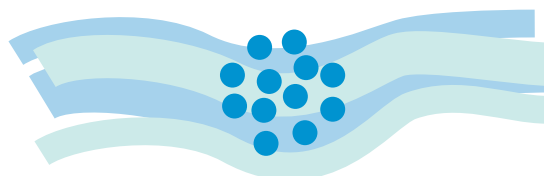


Greatest capacity for least maintenance

The System:2 Mod Media system from Sta-Rite is the ultra-capacity filter ideally suited for aboveground pools. The Mod Media system handles dirt loads up to 15 times greater than sand filters of equivalent size. Balanced flow tank hydraulics direct water through each side of the filter module for uniform dirt loading. This prevents clogging and captures more dirt between cleanings to minimize maintenance time.

You may go an entire season before you need to clean your PLM aboveground filter.

- You won't clean often, but it's easy when you do—just rinse in place with a garden hose.
- Quiet, highly efficient pump options keep operating costs low.
- Compact design fits easily in tight installations.



The Mod Media system strips away particles as small as 20 microns (an average grain of beach sand is 100 to 2000 microns in diameter!).

System:2 Mod Media™

PLM Series Aboveground Systems



- Top-mounted pressure gauge and information panels are positioned for easy reading
- Split tank design permits rinse-in-place cleaning—super simple to achieve thorough cleaning fast
- Posi-Ring® Closure is easy to secure every time and lasts for years
- System available with Sta-Rite® OptiFlo® Series aboveground pumps



Spray-and-go simplicity



The System:2 Mod Media system features a one-piece filter module that simply drops into the easily accessible tank. It's foolproof! When cleaning is necessary, just remove the lid (no tools are needed) and spray-rinse the module while it is still in place.* It only takes minutes to clean thoroughly and get back into service fast.

Convenience and versatility

The Mod Media systems small diameter footprint is the perfect fit for new and retrofit installations. Interchangeable ports provide multiple plumbing options and the modular filter tank permits quick change of filter media. Contemporary styling and matte black finish appear attractive in any pool setting.

*Modules used in conjunction with certain pool/spa sanitizers may require soaking in special cleaning solutions.

Filter Performance

Model	Pump (HP)	Filter Area (Sq. Ft.)	For Pools up to (Gal.) 8 Hr. Turnover
SRPLM100OE	1	100	48,000
SRPLM100OF	1.5	100	48,000
SRPLM150OE	1	150	72,000
SRPLM150OF	1.5	150	72,000

Operating Limits – Maximum continual operating pressure is 50 PSI. For Pool/Spa (bather) applications, the maximum operating water temperature within the filter is 104°F (40°C).

Note: Turnover capacity based on filter

Available from:



Simply Smarter.

www.staritepool.com
Phone: 800-831-7133

pumps / filters / heaters / heat pumps / automation / lighting / cleaners / sanitizers / water features / maintenance products

All Pentair trademarks and logos are owned by Pentair or one of its global affiliates. Sta-Rite®, OptiFlo®, System:2 Mod Media™ and Posi-Ring® are trademarks and/or registered trademarks of Pentair Water Pool and Spa, Inc. and/or its affiliated companies in the United States and/ or other countries. Because we are continuously improving our products and services, Pentair reserves the right to change specifications without prior notice. Pentair is an equal opportunity employer.



INTELLIFLO® VSF

INTELLIFLO® VSF

VARIABLE SPEED AND FLOW PUMP

PRECISE FLOW CONTROL FOR THE HIGHEST ENERGY SAVINGS
AND ULTIMATE SYSTEM PERFORMANCE.



TRADEGRADE
BY PENTAIR



pentairpool.com



Good things happen when you **go with the flow.**

NEW! THE WORLD'S FIRST VARIABLE SPEED AND FLOW PUMP THAT DELIVERS THE HIGHEST AVAILABLE EFFICIENCY AND PEAK PERFORMANCE.

Responds to changing conditions

The IntelliFlo® VSF Pump is the first to adjust to changes in flow conditions to maintain its preprogrammed flow rate to run optimally throughout the entire filtration cycle. It's like having cruise control for your pump.


Equipment performs precisely as designed

- Filters get the right amount of flow to maintain water clarity.
- Laminars and water features perform more consistently.
- Equipment efficiency and service life increase.

Up to 90%¹ energy savings

Since the IntelliFlo VSF pump is ultra energy efficient, you can experience increased energy savings, up to 90%, when compared to conventional single- or two-speed pumps.

¹Savings based on variable speed pump compared to a single-speed pump running 12 hours per day at an average of \$0.16 per kWh in a 20,000 gallon pool. Actual savings may vary based on local utility rates, pool size, pump run time, pump horsepower, pump rpm, plumbing size and length, pump model, service factor and other hydraulic factors.



TRADEGRADE BY PENTAIR

THE NEW INTELLIFLO VSF PUMP IS PART OF THE TRADEGRADE FAMILY OF PRODUCTS—EXCLUSIVELY MADE FOR AND SOLD BY THE WORLD'S MOST DEMANDING POOL PROFESSIONALS.

TradeGrade products give consumers the confidence that their pool pro is recommending the very best equipment and providing unmatched expertise for installation, setup and servicing.



POTENTIAL SAVINGS WITH AN INTELLIFLO VSF VARIABLE SPEED AND FLOW PUMP

Estimated pump savings per year ¹	Energy cost per kilowatt hour (kWh)	Estimated pump savings after five years
up to \$1,500	\$0.16	up to \$7,500
up to \$1,800	\$0.20	up to \$9,000
up to \$2,700	\$0.30	up to \$13,500



All around the pool, **precision pays.**

Adjusts to your pool's unique needs

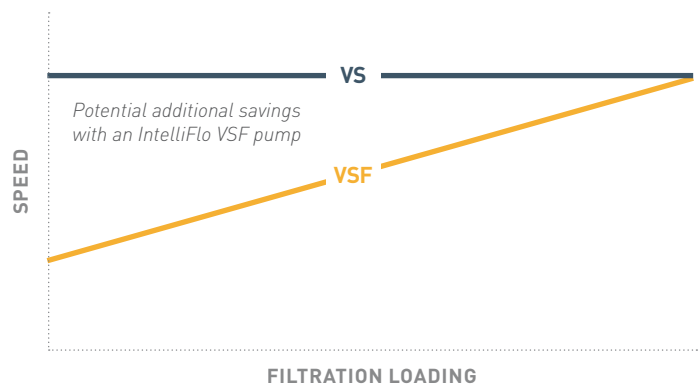
Every pool design is different, and conditions change, such as when filters accumulate debris over time. Other variable speed pumps require guesswork to set, and they don't adjust for flow changes. But, the IntelliFlo® VSF Pump does and always delivers just the right flow.

Set it and forget it

Just set the desired flow rate and the IntelliFlo VSF pump will adjust as needed to maintain it. It's that simple. There's no more guesswork. Kick back and enjoy your pool while the IntelliFlo VSF pump supplies the precisely set flow for peak equipment performance.

ENERGY SAVINGS WITH FLOW CONTROL

Traditional variable speed pumps are set to run faster than needed early in the filtration cycle to compensate for flow reduction later as debris accumulates in the filter. The IntelliFlo VSF pump adjusts flow throughout the cycle to minimize energy use.



Variable Speed:

RPM set high to maintain minimum flow

Variable Speed and Flow:

Increases speed as needed to maintain preset flow

**ALWAYS THE RIGHT FLOW FOR A BETTER
POOL EXPERIENCE AND LOWER COSTS**



Perfecting flow

By itself or integrated with an automation system, rely on the IntelliFlo VSF pump to precisely maintain your system's flow requirements, no matter the task.



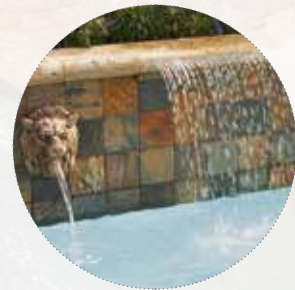
Sparkling clean water

Always the right flow to maintain daily water turnover for optimum filtration.



More efficient heating

Always the right flow for maximum heater efficiency.



Visual perfection

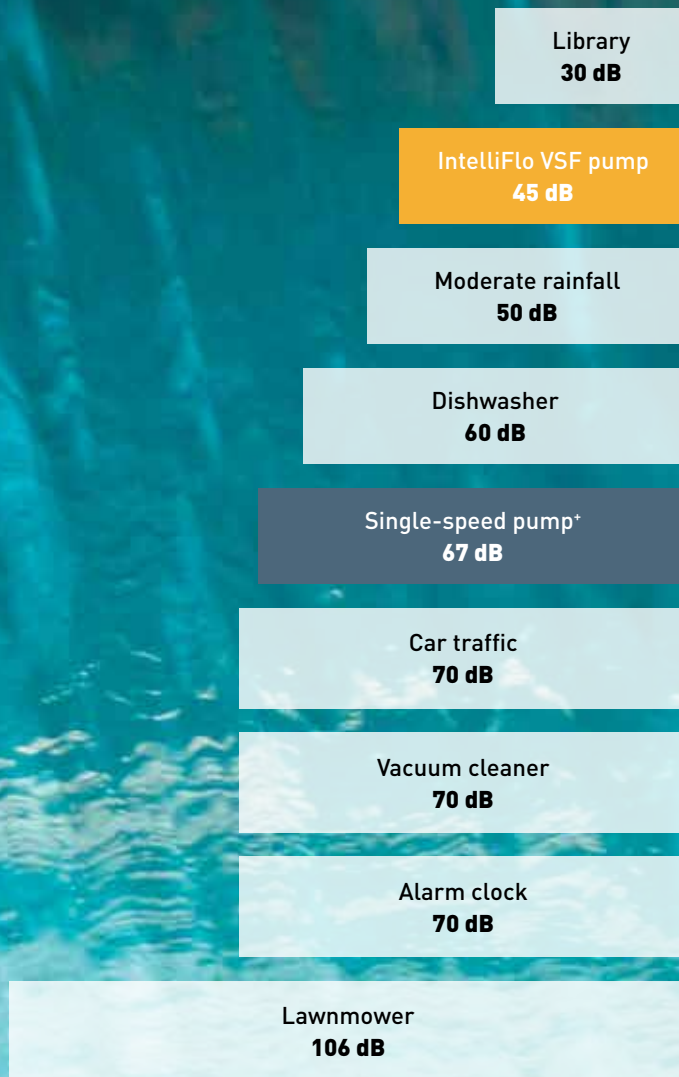
Always the right flow so laminars, waterfalls and negative edges look their best.



It's an IntelliFlo® Pump with **trusted family traditions.**

Pentair is the first brand to offer speed control and flow control in the same pump. And, the IntelliFlo VSF pump is the most recent product in a long history of firsts. Innovations include: the first variable speed pool pump, the first variable flow pool pump, Safety Vacuum Release System (SVRS) technology and the first ENERGY STAR® Certified pool pump.





Decibels (dB)

*1.5 HP pool pump. Sources: American Speech-Language-Hearing Association, OSHA.



Smart technology for remarkable energy efficiency

Experience energy savings up to 90%. IntelliFlo pumps are installed in more pools worldwide and have saved more money than any other variable speed pump family.



Set it and forget it

IntelliFlo VSF pump maintains its set flow rate by responding to changing conditions. It's like cruise control for your pump.



The quietest pump on the planet

When operating at low speed, it's so quiet you might not even know it's operating.



Automation compatible

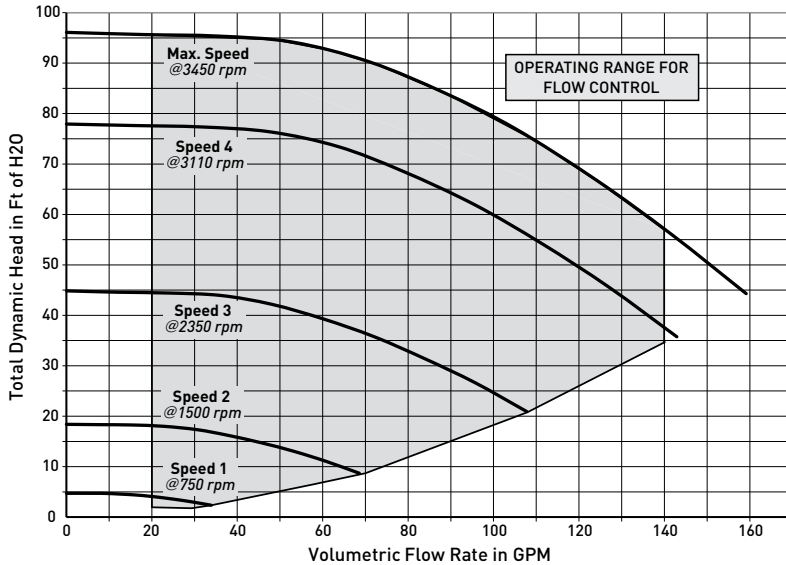
Pair with the EasyTouch® or IntelliTouch® Automation Systems with ScreenLogic2® Interface and you can control your pool functions from across the yard or around the globe.

INTELLIFLO® VSF

VARIABLE SPEED AND FLOW PUMP

PRECISE FLOW CONTROL FOR THE HIGHEST ENERGY SAVINGS
AND ULTIMATE SYSTEM PERFORMANCE.

Performance Curves



AN ECO SELECT® BRAND PRODUCT
The IntelliFlo VSF pump has earned the Eco Select brand distinction from Pentair for its efficiency and environmentally friendly performance.



The ENERGY STAR® Certified IntelliFlo VSF pump from Pentair meets strict energy-efficiency criteria set by the U.S. Environmental Protection Agency and the U.S. Department of Energy. This pump saves money, reduces energy use and protects the environment.



1620 HAWKINS AVE, SANFORD, NC 27330 800.831.7133 WWW.PENTAIRPOOL.COM

All Pentair trademarks and logos are owned by Pentair or one of its global affiliates. IntelliFlo®, EasyTouch®, IntelliTouch®, ScreenLogic2® and Eco Select® are registered trademarks of Pentair Water Pool and Spa, Inc. and/or its affiliated companies in the United States and/or other countries. Because we are continuously improving our products and services, Pentair reserves the right to change specifications without prior notice. Pentair is an equal opportunity employer.

pumps • filters • heaters • heat pumps • automation • lighting • cleaners • sanitizers • water features • maintenance products

3/17 Part # P1-413 ©2017 Pentair Water Pool and Spa, Inc. All rights reserved.



BIOSHIELD®

UV STERILIZER

NEUTRALIZE 99.9% OF BACTERIA WITH UP TO 50% LESS CHLORINE



Give yourself the peace of mind of cleaner pool water.

Pool water can be a breeding ground for several kinds of harmful bacteria and pathogens that can cause Recreation Water Illnesses (RWIs). That's why Pentair has harnessed the power of UV light to neutralize bacteria and prevent its reproduction. The BioShield® UV Sterilizer provides instant protection as it "zaps" those harmful waterborne pathogens, providing cleaner, safer pool water for friends and family.



Neutralizes harmful bacteria and pathogens instantly



Reduces chlorine usage by up to 50%



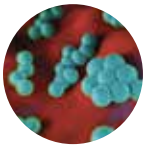
Commercial-grade sterilization power



KEEP UNINVITED GUESTS OUT OF YOUR POOL

You want your backyard oasis to be relaxing, enjoyable and protected. Keeping your pool water sparkling clean and virtually bacteria free is your top priority, and BioShield is the proven way to do it—without producing harmful byproducts. With the power of UV light, you'll neutralize 99.9% of bacteria while you cut chlorine usage by up to 50% for less hassle and reduced odors.

Here are some of the unwanted guests you'll kick out of your pool:



Cryptosporidium is a leading cause of waterborne illness and is highly resistant to chlorine disinfection.



Giardia is a microscopic parasite that causes severe intestinal discomfort.



E.coli bacteria can cause urinary tract infections, respiratory illness and other health issues.



Automation Ready

BioShield UV Sterilizer pairs perfectly with IntelliTouch® or EasyTouch® Pool Control Systems and IntelliChlor® Salt Chlorine Generators and/or IntelliChem® Water Chemistry Controllers for ultimate pool control and operation ease.

High-density polymer with a removable end cap provides easy internal access

Visual indication of lamp status

Low-pressure, high-output UV lamp runs at lower temperatures to conserve energy



American-Made UV Lamps

UV lamp can last from 2 ½ years to 4 years.*

*Based on pool run times.



DECADES OF LEADING THE WAY TO CLEANER WATER.

Pentair has a long history of managing and treating water with advanced technology in water filtration and purification serving commercial, municipal and residential customers around the world.

We've made safe drinking water more accessible by treating and purifying water for reuse and desalination. Our comprehensive line of compatible water filtration and purification products help make water cleaner, clearer and safer for everything from agriculture to industry to the refreshing pool in your backyard.



AN ECO SELECT® BRAND PRODUCT

The BioShield® UV Sterilizer has earned the Eco Select brand distinction as one of the "greenest" and most efficient choices from Pentair. Eco Select products are designed to help you save energy, conserve water, eliminate or reduce noise, or otherwise contribute to a more environmentally responsible equipment system.



1620 HAWKINS AVE, SANFORD, NC 27330 800.831.7133 WWW.PENTAIRPOOL.COM

All Pentair trademarks and logos are owned by Pentair or one of its global affiliates. BioShield®, IntelliTouch®, EasyTouch®, IntelliChlor®, IntelliChem® and Eco Select® are registered trademarks of Pentair Water Pool and Spa, Inc. and/or its affiliated companies in the United States and/or other countries. Because we are continuously improving our products and services, Pentair reserves the right to change specifications without prior notice. Pentair is an equal opportunity employer.

pumps • filters • heaters • heat pumps • automation • lighting • cleaners • sanitizers • water features • maintenance products



STANDARD NESPA IN-GROUND INSTALLATION *INSTRUCTIONS* **SET-UP AND EXCAVATION**

Prerequisites: Before installing your Nespa spa. You may be required to acquire a permit from your local State, County, and City building dept and or Health department. (Commercial jobs need Health Dept. Approval). Your spa installation must comply with the most current codes. (**Uniform Swimming Pool, Spas & Hot Tub Code 2006 (USPC 2006)**).

Spa drawings: Request from Nespa a current spa specific construction detail, plan and section, spa plumbing detail.

Delivery Access: Clearly determine the method of getting the spa to jobsite and into the hole. This may require the use of a crane, forklift, hoist, backhoe and/or manpower etc.

- 1) The following instructions are general guidelines and may not apply to your specific jobsite conditions. When excavating for your spa remember to provide for plumbing and light connection clearances. In order to determine how to excavate for your spa or swim spa, measure spas outside dimension (O.D.) and add minimum 3” to all sides. This 3” clearance is to accommodate jet and suction plumbing. This 3” clearance can change or be reduced upon request. Note: skimmer location, this area may have to be larger than 3”, if commercial 22”.
- 2) **Freeze Climates-** If the spa is place into a vault (typical of freeze climates) a standard 18” or more of clearance minimum from spa perimeter should be provided. This dead air space is for possible future access to spa plumbing in case of a freeze. Area drain is mandatory. **Ask your local installer** for his experienced opinion. Do not hesitate to call us because we want to be sure that your installation progresses as smoothly as possible. If you have questions call us. (888) 479-4677.
- 2) **Hole depth** is determined by spa’s outside height dimension. This height may vary depending if spa has skids or no skids. The spa lip may be finished or non- finished. How is the perimeter deck elevation transitioning to the spa? Focus on the finish surrounding deck elevations, thickness of the finish material on spa upper horizontal lip, equal to lip or under the spa lip. This material can be tile, stone, concrete or brick.
- 3) **Preplumb** the spa before it goes into the hole. If there are needs for electrical , bonding or control conduits run them as well before dropping in hole. Connect bond wire to niche would be best.
- 4) **Spa should sit on level 3 ½” thick reinforced concrete pad. Sweep debris off pad prior to dropping in hole.**
- 5) **Install spa** into the hole on top of concrete pad. Use the Eye bolts provided for crane, forklift etc. rigging. Do not hold onto pipes. Use caution with suction and jet plumbing when lowering into hole. **DO NOT STRESS FITTINGS!** Fill Spa with water and check for leaks prior to backfill.

- 6) **Check site reference** points for proper spa positioning (i.e., squaring to house, garage, etc.).
- 7) **Shim to level spa.** Shim with non-compression able material. Re square to house, or ref. point.
- 8) **Dry pack** with cement the gaps that have been created when shimming spa level.
- 9) **Connect pipes to tees** if spa is preplumb. Installers properly support your new plumbing from stressing spas preplumb fittings. After electrical conduit and bond wire is connected to light niche, water test spa before back filling with sand.
NOTE: All Nespa products are water tested prior to leaving factory.

ELECTRICAL:

- 1) All electrical connections to spa or equipment should comply with the most recent national electrical code (NEC), state and local codes.
- 2) Connect electrical conduit to light niche. This work should be done or reviewed by a licensed electrician.
- 3) To install spa light you will need to include inside the PVC conduit to the light niche a solid #8 coated copper wire. (If you are use brass conduit, internal bond wire is not required.) This bond wire should be pulled with the light cord at the same time. This bond wire needs to be attached to the internal bonding lug of the light niche. An approved encapsulate should be applied to bond wire connection in niche.
- 4) An external #8 copper wire shall be connected to the external bonding lug on the rear of the light niche. This copper wire can then be used for additional bonding requirements (i.e., handrails or any other metallic object within 5' of the spa.

PLUMBING:

- 1) **When plumbing a Nespa it is important to properly size the plumbing. We highly recommend that you follow the pump manufacturer's pipe sizing requirements and Uniform Swimming Pool, Spas & Hot Tub Code 2006 (USPC 2006). This code book is available at www.JAPMO.org or (909) 472 4100.**
- 2) The jet air venturi should be a Hartford loop design adjacent to spa shell and air entry point can be located next to spa or remotely at equipment.
- 3) Fill spa with water and test the system for leaks PRIOR to backfilling with sand.

SAND BACK FILL:

- 1) **With water in spa, back-fill around spa perimeter with dry plaster sand and wet wash with hydraulic attachment to hose. Let set for one hour and hydraulic dry again. Be sure water level in spa is at the highest level. Any questions please call us. (888) 479-4677.**
- 2) **If spa is free standing on elevated deck or a structure, it is important to fill spa with water and load area prior to installing coping or perimeter decking. If spa is installed in a vault situation a area drain is needed.**

NESPA ENTERPRISES INC.

2800 Richter Ave. Suite E

Oroville, CA 95966

Office: (888) 479-4677 Fax: (530) 534-9915

E-Mail: nespa@pacbell.net www.tiledspas.com

IN-GROUND

INSTALLATION

ALL DIMENSIONS SUBJECT TO 1/4" TOLERANCES

SCALE: 1/2" = 1'-0"

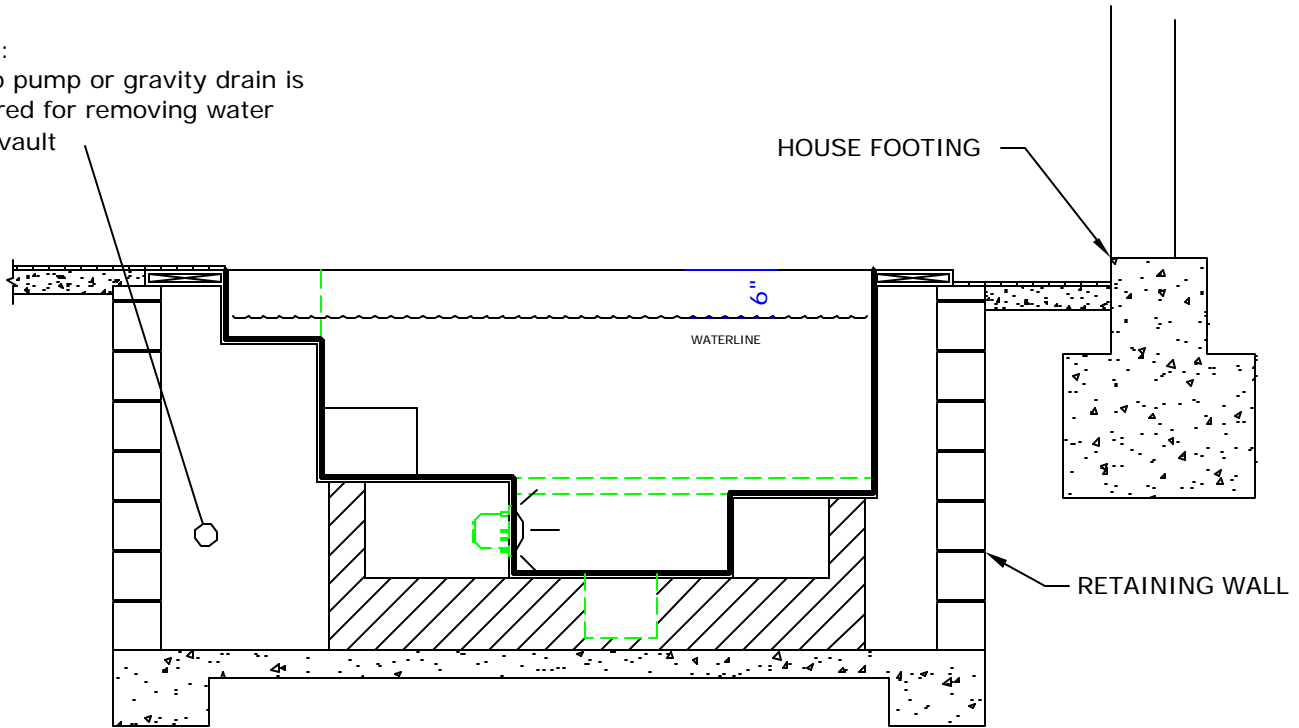
DATE: 3/27/02

JOB : STANDARD INSTALL

DW #: SI-1, SI-2

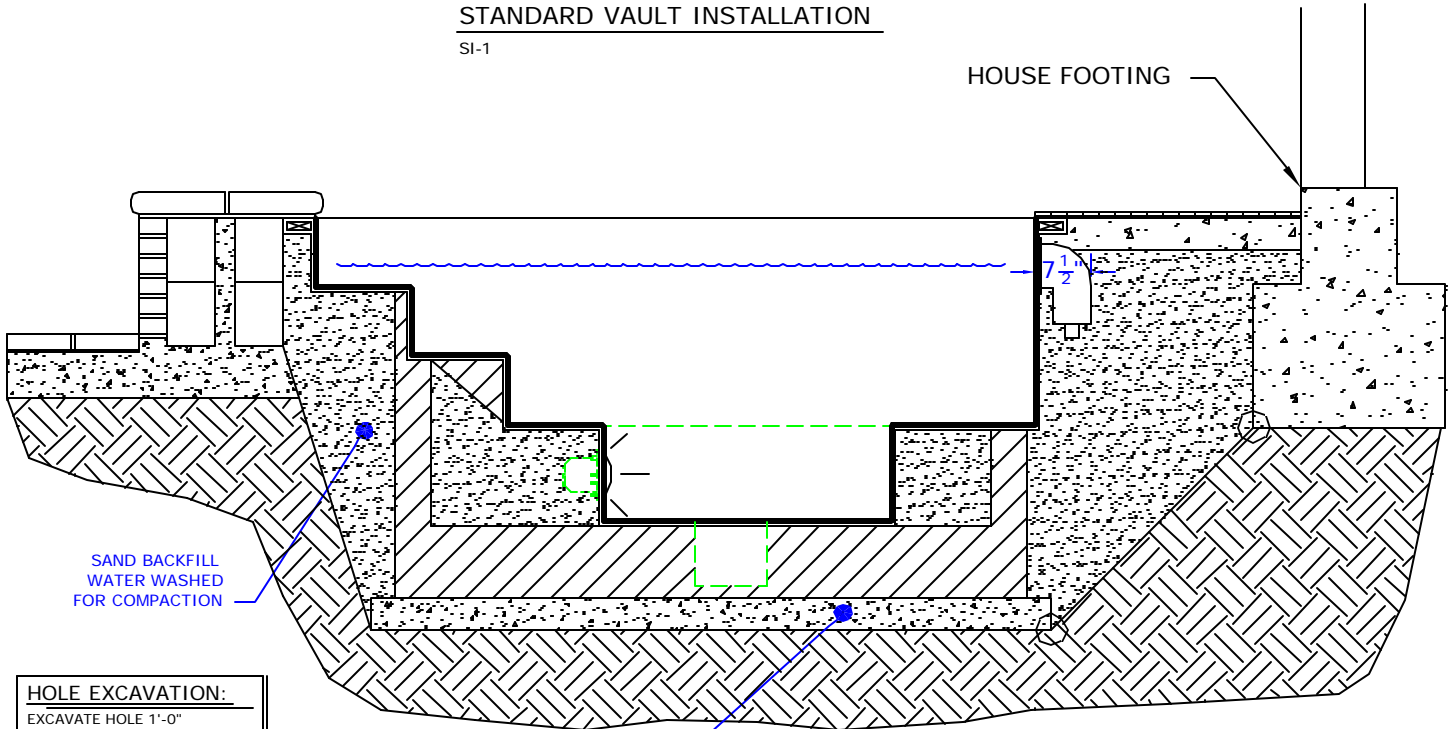
NOTE:

Sump pump or gravity drain is required for removing water from vault



STANDARD VAULT INSTALLATION

SI-1



HOLE EXCAVATION:
EXCAVATE HOLE 1'-0"
LARGER THAN THE OUTSIDE
DIAMETER (OD) OF SPA

4" CONCRETE SLAB
REINFORCED WITH
#10 MESH

STANDARD INGROUND INSTALLATION

SI-2

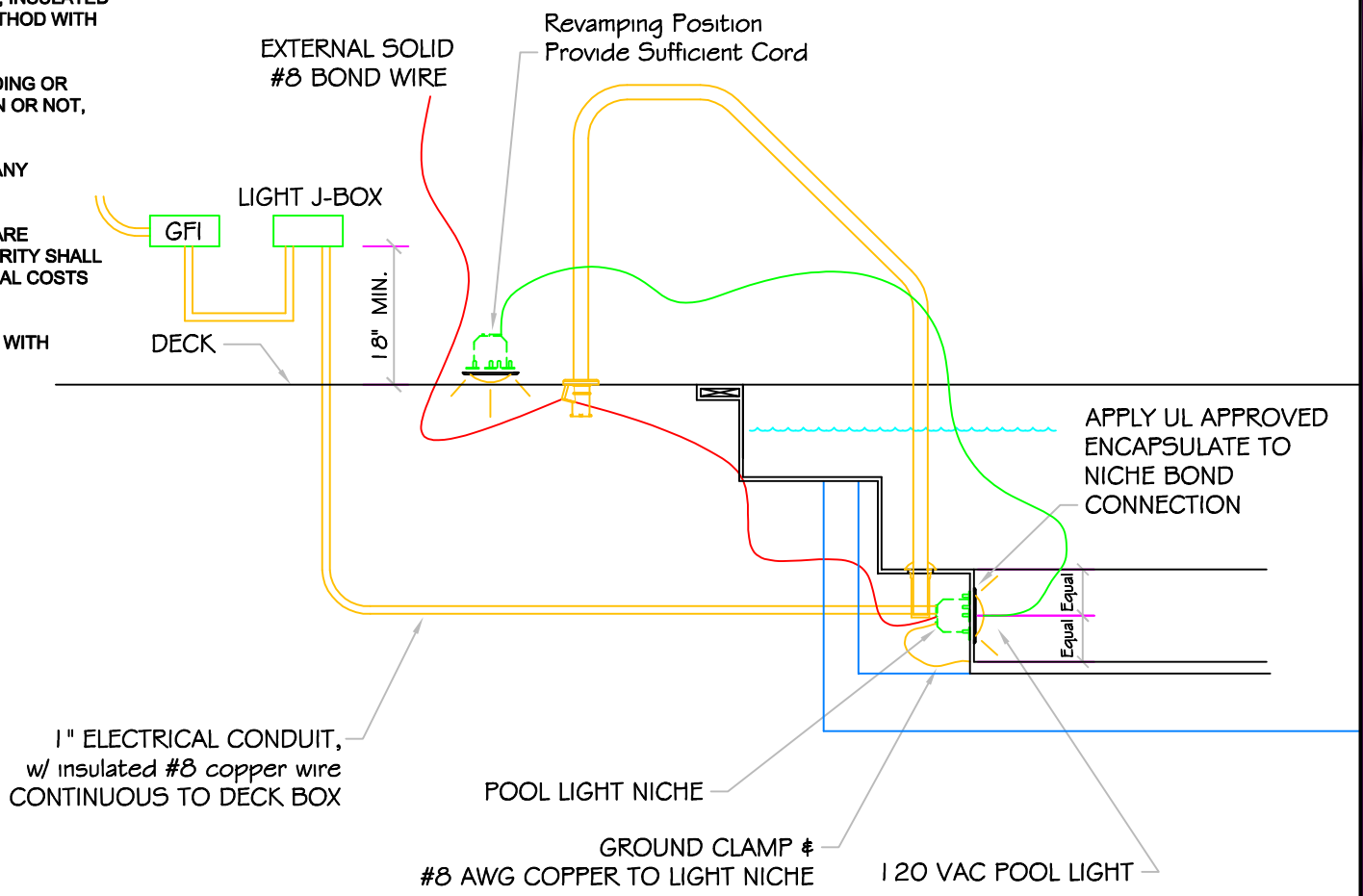
NOTE:

Footing can not surcharge spa.
Slope from bottom of slab to
nearest corner of house footing
must not exceed 1" = 1".

POOL BONDING REQUIREMENTS:

1. THE FOLLOWING PARTS SHALL BE BONDED TOGETHER AND CONNECTED TO THE COMMON BONDING GRID.
 - A. ALL THE METALLIC PARTS OF THE POOL STRUCTURE INCLUDING COPING STONES, DECK, PERMANENT PLAY STRUCTURES, PERMANENT EXERCISE STRUCTURES.
 - B. ALL METAL FITTINGS WITHIN OR ATTACHED TO THE POOL STRUCTURE
 - C. METAL PARTS ASSOCIATED WITH THE POOL WATER CIRCULATING SYSTEM, INCLUDING PUMPS, FILTERS, AND HEATERS.
 - D. METAL PARTS ASSOCIATED WITH POOL COVERS
 - E. METAL SHEATHED CABLES AND RACEWAYS, METAL PIPING AND ALL FIXED METAL PARTS WITHIN 5 FEET HORIZONTALLY OF INSIDE WALLS OF POOL AND WITHIN 12 FEET ABOVE MAXIMUM WATER LEVEL OF POOL.
 - F. METAL PARTS ASSOCIATED WITH OBSERVATION STANDS, TOWERS, PLATFORMS, AND DIVING STRUCTURES.
2. BONDING CONDUCTORS SHALL BE MINIMUM #8 SOLID COPPER, INSULATED E.C. SHALL COORDINATE APPROVED CONNECTOR TYPE AND METHOD WITH LOCAL ELECTRICAL AND/ OR POOL INSPECTOR.
3. SPECIFIC MANUFACTURER'S INSTRUCTIONS REGARDING BONDING OR GROUNDING OF POOL EQUIPMENT, WHETHER INDICATED HEREIN OR NOT, SHALL BE STRICTLY FOLLOWED.
4. THE COMMON BONDING GRID SHALL NOT BE CONNECTED TO ANY ELECTRICAL DISTRIBUTION EQUIPMENT.
5. ANY PARTS IN ADDITION TO THOSE DESCRIBED HEREIN THAT ARE INDICATED BY POOL CONTRACTOR OR LOCAL INSPECTION AUTHORITY SHALL BE BONDED TO THE COMMON BONDING GRID WITH NO ADDITIONAL COSTS INCURRED BY THE OWNER.
6. THE ELECTRICAL CONTRACTOR SHALL COORDINATE BONDING WITH GENERAL CONTRACTOR.

LIGHT DETAIL



ALL DIMENSIONS SUBJECT TO 1/4" TOLERANCES

These drawings, concepts, and details contained herein are the original proprietary designs of NESPA ENTERPRISES, developed over many years of experience in the pool and spa industry and as such are protected by the copyright laws of the United States Government. Reproduction of any of the above without written permission to do so by NESPA ENTERPRISES, is illegal.

NESPA ENTERPRISES INC.
 2800 Richter Ave. Ste. C Oroville, CA 95966
 Office: (530) 534-9910 Fax: (530) 534-9915
 E-Mail: sales@tiledspas.com Web Site: www.tiledspas.com



SIZE A	DWG NAME DETAILS	DWG TYPE Detail
SCALE 1/2" = 1'	DATE 7/24/2008	SHEET PAGE 1 OF 1

NESPA ENTERPRISES, Inc. LIMITED WARRANTY

This LIMITED WARRANTY covering NESPA products is extended to the ORIGINAL PURCHASER-USER BY NESPA ENTERPRISES Inc.(NESPA), 2800 Richter Ave. Unit C California 95966.

NESPA products are thoroughly inspected and tested prior to factory shipment. NESPA warrants to the ORIGINAL PURCHASER-USER that NESPA Spas and Swim Spas will be free of defect in workmanship, accessories and parts, provided said accessories and parts were manufactured by NESPA. NESPA, under this LIMITED WARRANTY, warrants only that its Spas and Swim Spas shall be structurally sound, shall retain their shape, and shall retain water for the warranty period. NESPA warrants the adhesion of tile to fiberglass for a period of three (3) years and structural soundness for ten (10) years. NESPA warrants epoxy grout adhesion for a period of three years. If any such defects appear and are reported within the warranty period, NESPA shall repair or replace such defective parts without charge if an inspection proves the claim.

The provisions of the LIMITED WARRANTY shall not apply to tile cracked, split, chipped or damaged after the product has left the factory, nor damage to tile caused by freezing nor to damage, defect, malfunction or failure to conform with the above warranty provisions where the damage, defect, malfunction or failure to conform was caused during shipment or by distributor or by unreasonable use by ORIGINAL PURCHASER-USER including improper water balance and improper sand pack or support.

This LIMITED WARRANTY shall not apply to any plumbing, equipment, or installation of spas and Swim Spas and shall not apply to any alterations made to or upon NESPA products except alterations made by NESPA employees or NESPA authorized representatives.

This LIMITED WARRANTY is expressly in lieu of all other warranties expressed or implied including the warranties of merchantability and fitness for use and all other obligations or liabilities on NESPA'S part, and NESPA neither assumes nor authorizes any other person to assume for NESPA any other liability in connection with the sale of this NESPA product. This LIMITED WARRANTY shall not apply to this NESPA product or any part thereof which has been subject to accident, negligence, alteration, abuse or misuse. NESPA makes no warranty whatsoever with respect to accessories or parts not manufactured by NESPA.

The term "ORIGINAL PURCHASER-USER" as used in this LIMITED WARRANTY shall be deemed to mean that person for whom the NESPA product is originally installed.

The LIMITED WARRANTY provided herein and the obligations and liabilities of NESPA hereunder are exclusive and are in lieu of, and buyer and original PURCHASE-USER hereby waive all other remedies, warranties, guarantees or liabilities, expressed or implied, arising by law or otherwise (including without limitation and obligations of NESPA with respect to fitness, merchantability, and consequential damages) or whether or not occasioned by NESPA'S negligence.

This LIMITED WARRANTY shall not be extended, altered or varied except by a written instrument signed by NESPA and original PURCHASER-USER.