

## 32" Channel Drain Flat Grate Anti-Entrapment Suction Outlet Cover and Frame

### VGB Series

#### Product Specification Sheet

The AquaStar line of suction outlet covers, compliant with the new Virginia Graeme-Baker Pool and Spa Safety Act (ASME/ANSI A112.19.8a-2008)

#### Features

A single, unblockable suction outlet that exceeds the new VGB mandate and ASME/ANSI A112.19.8a-2008 standard

Requires a minimum 3" sump depth

For single or multiple drain use (see installation instructions for plumbing, hydrostatic valve/drain pipe and single or multi-pump connections)

#### Single

Floor: 316 GPM at 3.9 fps

Wall: 208 GPM at 2.6 fps

Floor/wall: 122 GPM at 1.5 fps

25.9 square inch opening

Manufactured from superior UV-resistant engineered polymers

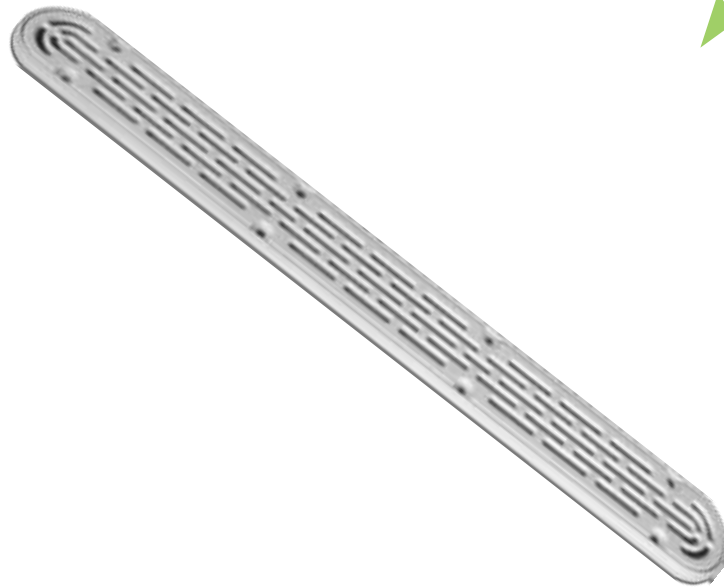
Meets or exceeds NSF 50/ASME/ANSI A112.19.8a-2008 national standards and ASTM G154 UV testing

Includes disposable "dogbone" supports to retain shape during all phases of construction

Listed with IAPMO R&T

12 per case

### The Unblockable!™



For field-fabricated sump (concrete pools)  
Part # 32CDFLFRxxx

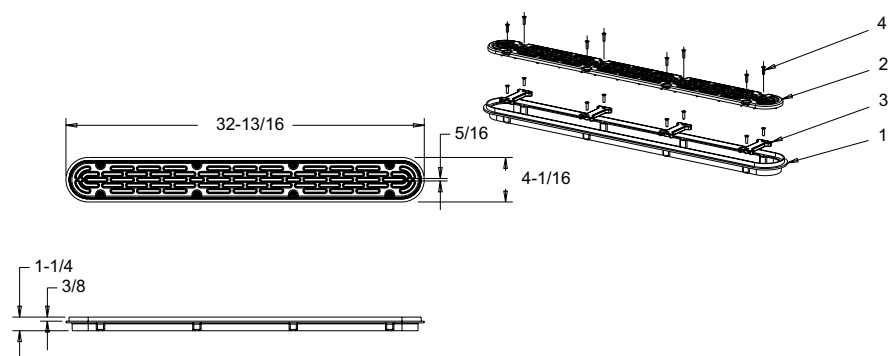
### Two Drains in One!

#### Part Numbers / Colors

- 32CDFLFR101 White
- 32CDFLFR102 Black
- 32CDFLFR103 Lt. Gray
- 32CDFLFR104 Blue
- 32CDFLFR105 Dk. Gray
- 32CDFLFR106 Bone
- 32CDFLFR107 Taupe
- 32CDFLFR108 Tan

Also available without sump/frame  
p/n 32CDFLNFxxx 12 per case

**VGB 2008 Compliant**



1. 32" channel drain, no sump, frame
2. 32" channel drain, cover, flat
3. 32" channel drain, frame support "dog bones", qty 4
4. #10 x 3/4" flat head phillips type-a screw, 316 ss, qty 16