

## Super High Flow 8" Anti-Entrapment Suction Outlet Cover, Riser Ring and Mud Frame

### VGB Series

#### Product Specification Sheet

The AquaStar line of suction outlet covers, compliant with the new Virginia Graeme-Baker Pool and Spa Safety Act (ASME/ANSI A112.19.8b-2009)

#### Features

For single or multiple drain use  
(see installation instructions)

Single – Requires a minimum 4" sump depth  
Floor: 145 GPM at 2.8 fps  
Wall: 84 GPM at 1.7 fps

Floor/wall: 75 GPM at 1.5 fps

Sumplless configuration:  
Floor: 140 GPM at 2.8 fps  
Wall: 84 GPM at 1.7 fps

VGB compliance button easily identifies  
VGB 2008 compliance and approximate  
installation date from pool/spa deck

16.0 square inch opening

#316 stainless steel screws

Manufactured from superior  
UV-resistant engineered polymers

Easily and safely retrofits most brands'  
existing 8" frames\* (see cross-reference  
chart and installation instructions for  
details and special requirements)

Meets or exceeds NSF 50/ASME/ANSI  
A112.19.8b-2009 national standards  
and ASTM G154 UV testing

Listed with IAPMO R&T

24 per case

**NEW**



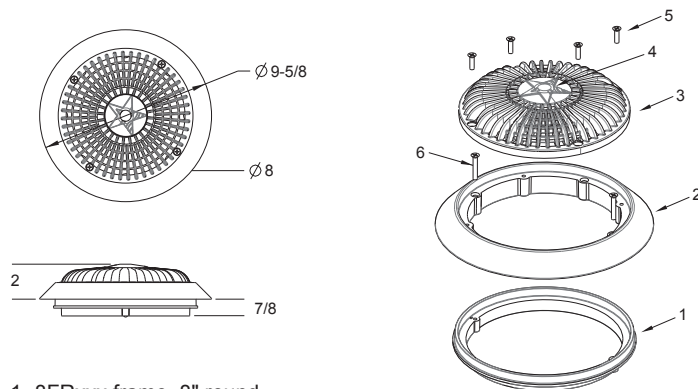
Part # A8Rxxx

Fits AquaStar (all 8" models), American, Pentair, Color Match, Waterway and most Custom Molded (CMP)

#### Part Numbers / Colors

- A8R101 White
- A8R102 Black
- A8R103 Lt. Gray
- A8R104 Blue
- A8R105 Dk. Gray
- A8R106 Bone
- A8R107 Taupe
- A8R108 Tan

**VGB 2008 Compliant**



- 1 8FRxxx frame, 8" round
- 2 A8RRxxx riser ring, 8" round
- 3 A8Rxxx super high flow 8" round anti-entrapment cover
- 4 VGB 2008 "color code" swimming man
- 5 10x075-FPA #10 x 3/4" flat-head phillips type A screw, 316 ss, qty 4
- 6 10x125-FPA #10 x 1-1/4" flat-head phillips type A screw, 316 ss, qty 2