



# BP500

Meet the BP500

- The first of a new series of systems
- Based on Balboa's most popular model's
- WiFi Ready
- New Features in New Enclosure
- Higher flame retardant and impact resistant materials
- Press & Hold Buttons for ease of use

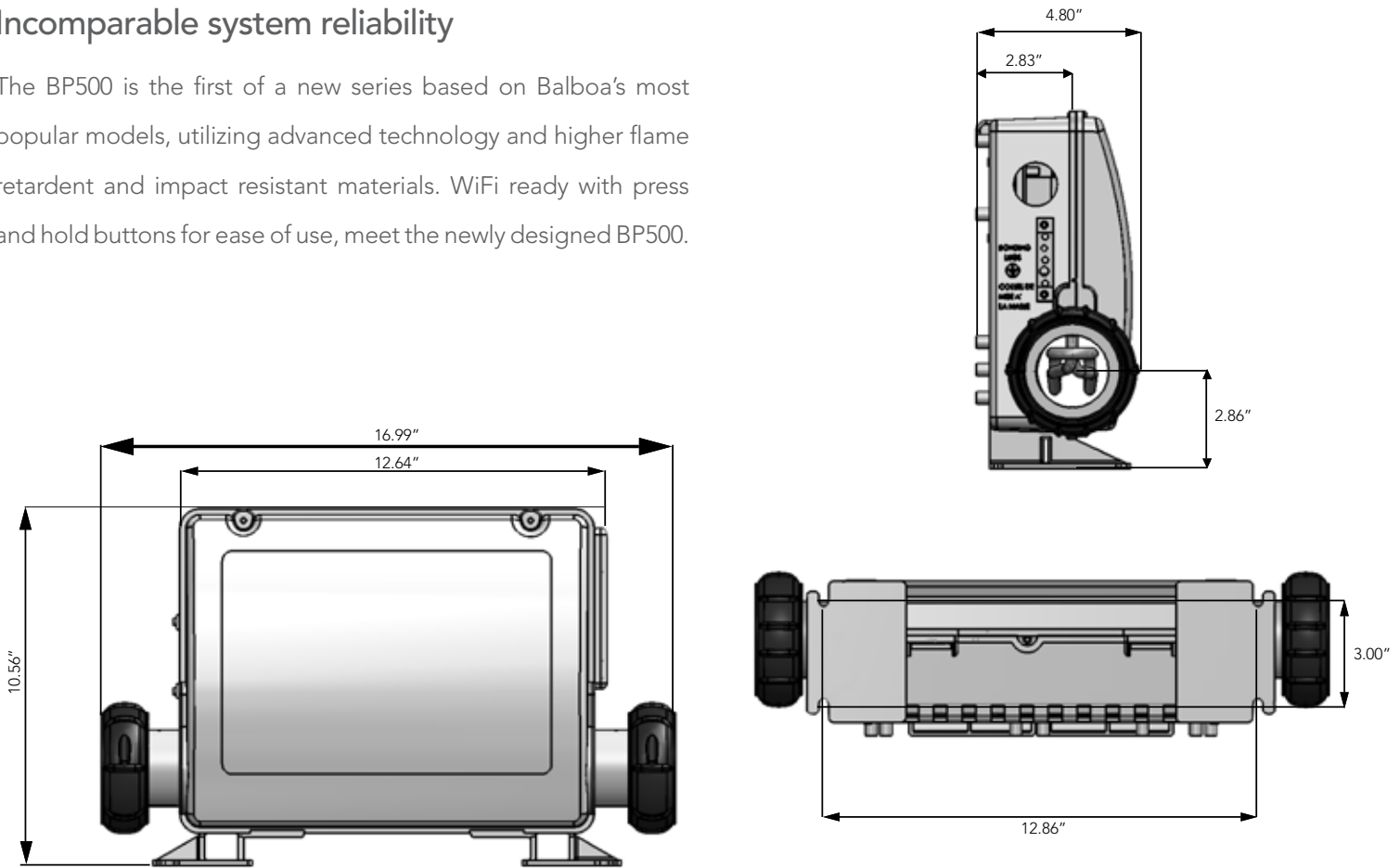


**BALBOA**  
water group

# BP500 Transforming the control of hot tubs

## Incomparable system reliability

The BP500 is the first of a new series based on Balboa's most popular models, utilizing advanced technology and higher flame retardant and impact resistant materials. WiFi ready with press and hold buttons for ease of use, meet the newly designed BP500.



System Specifications	
Recommended Ozone Support	Balboa ozone (UL certified)
Voltage Supply	240V or 120V
Sensors	M7 patented temperature probes
Certifications	UL recognized
Spa Light Control	1AMP Max

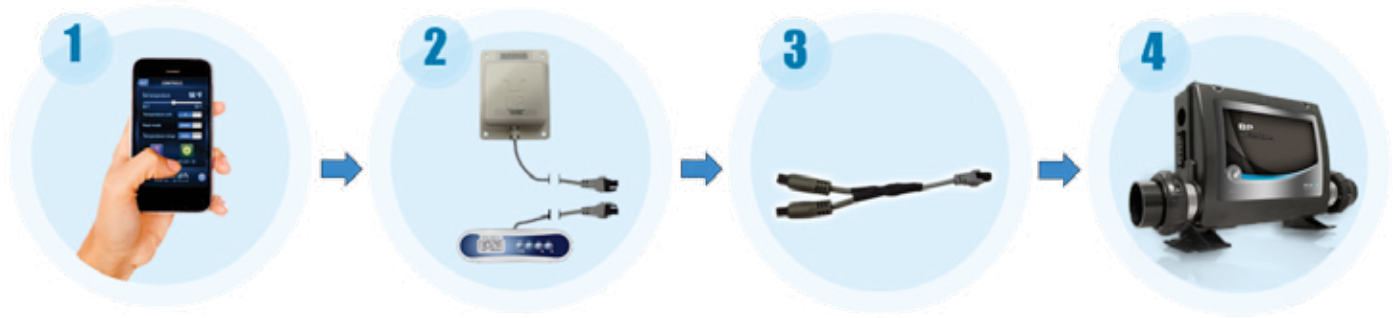
System Material Number	Descriptions	Pump 1	Pump 2 or Blower	Heater
56278	System Balboa BP500 (Domestic)	2 spd or 1 spd with Circ	1 spd	4.0 kW 800 Incoloy Element
56279	System Balboa BP500 (Domestic)	2 spd or 1 spd with Circ	1 spd	4.0 kW 825 Incoloy Element
56280	System Balboa BP500 (Domestic)	2 spd or 1 spd with Circ	1 spd	4.0 kW Titanium Element

Compatible Plumbing Kits (Coupling nuts and seals included)	
55911	2" Tailpieces (2-Speed Pump 1)

# BP500 WI-FI Hardware Connections

## Wireless System Control

Now you can control your system wirelessly. With a few simple connections and some additional hardware you can have full control of your spa system. To download the software go to the Apple Apps store and download the free spa app, run through the quick setup and your done.



Wireless Connection

WiFi Module (50254)  
TP400 shown

Y-Cable 4 pin (25657)

For more information on our spa app please visit [www.balboawatergroup.com/iphone-application](http://www.balboawatergroup.com/iphone-application) or you can contact our technical support at 714.834.0384.

Note: All spa installation or repairs must be done by a qualified electrician in accordance with the country or local electrical codes in effect at the time of installation.

## Additional Hardware Needed For WI-FI Connections



Y-Cable 4 Pin (25657)



WI-FI Module (50254)

Dimension:

Width 3.75" (95.25mm)

Height 4.75" (102.65mm)

Depth: 1.125" (28.57mm)

# BP500 Panels And Overlays

## Documentation Not Required – New User Friendly Interface

The sleek new topside panel includes a large easy to read backlit LCD with simple to follow end user menus. With new press and hold button technology, setting temperature and other common tasks have been simplified. User navigation is intuitive and easier than ever, reducing customer service help calls.



Overlay 12198 (Jet 1, Jet 2, Flip, Warm, Cool)



Overlay 12511 (Temp, Jets, Light, Aux)



Overlay 12101 (Jets, Aux, Flip, Warm, Cool)



Overlay 12510 (Warm, Cool, Lights, Jets)

### Panel TP600

- 56046-01 (TP600 15 ft cable no overlay)
- 56047-01 (TP600 15 ft)
- 50056-01 (TP600 2 Jets with overlay 12198)
- 55673-05 (TP600 with overlay 12101)
- 55676-05 (TP600 no overlay)

### Panel TP400

- 55701 (TP400T no overlay)
- 50260 (TP400T with overlay 12511)
- 55702 (TP400W no overlay)
- 50260 (TP400W with overlay 12510)

MANUFACTURED UNDER ONE OR MORE OF THESE PATENTS: U.S. PATENTS: 5332944, 5361215, 5550753, 5559720, 5,883,459, 6253227, 6282370, 6590188, 6976052, 6965815, 7030343, 7,417,834 B2, CANADIAN PATENT: 2342614, AUSTRILIAN PATENT: 2373248 OTHER PATENTS BOTH FOREIGN AND DOMESTIC APPLIED FOR AND PENDING. ALL SOFTWARE COPYRIGHT BALBOA WATER GROUP.

BP500 0512

©2012 Balboa Water Group. All rights reserved. Your Single Source Solution.  
1382 Bell Avenue | Tustin, CA 92780 | p 714.384.0382 | www.balboawatergroup.com

We reserve the right to change technical data without further notice.

**BALBOA**  
water group