

PLAN APPROVAL DOCUMENTATION

DRAWING REVISION HISTORY

SHEET 1 - SD (Spa Detail)

REV NOTE: 09-03 Added Rails

SHEET 2 - Tile Detail

REV NOTE:

SHEET 3 - Suction Plumbing

REV NOTE:

SHEET 4 - Return Plumbing

REV NOTE:

SHEET 5 - Plumbing Detail

REV NOTE:

SHEET 6 - Main Drain

REV NOTE:

SHEET 7 - Bonding Detail

REV NOTE:

SHEET 8 - Equipment List

REV NOTE:

SHEET 9 - E Q Docs

REV NOTE:

SHEET 10 - Skimmer Info

REV NOTE:

I approve the above drawings _____ Date: _____

Any changes to these plans from here forward shall be directed in writing to Nespa.

SPA FABRICATION AUTHORIZATION

Nespa's engineering and structural manufacturing departments may find it necessary to make slight adjustments (= 1") to your spa.

This may include the size of the spa (OD/ID), tile cuts, depths, jet location, bench steps etc. These adjustments must be made in the primary stages of building the spa. The adjustments are generally made to ad structural and aesthetic integrity to the vessel. IE: balance of supporting gussets (exterior) and less tile cuts/ symmetrical cuts, grout lines, etc. (interior)

Please initial next to the following number that describes your project needs.

- _____ 1. YES, I understand adjustments need to be made. Nespa will use their expertise to make these adjustments as needed. I give them the authority to make changes. I will receive final accurate drawings prior to receipt of spa or spa hole construction (if changes were made to the size)
- _____ 2. NO, No changes can be made even under 1". Dimensions are fixed. More tile cuts may be needed, Structural supports may be altered to accommodate.
- _____ 3. Nespa will need to contact us for any changes to spa dimensions prior to continued spa fabrication.

Approved

NESPA ENTERPRISES INC.

2800 Richter Ave. Suite C Oroville, CA 95966

Office: (530) 534-9910

Fax: (530) 534-9915

E-Mail: sales@tiledspas.com Web Site: www.tiledspas.com



DWG NAME

BELFAST YMCA

DWG TYPE

REV

SCALE

N/A

DATE

9/3/2008

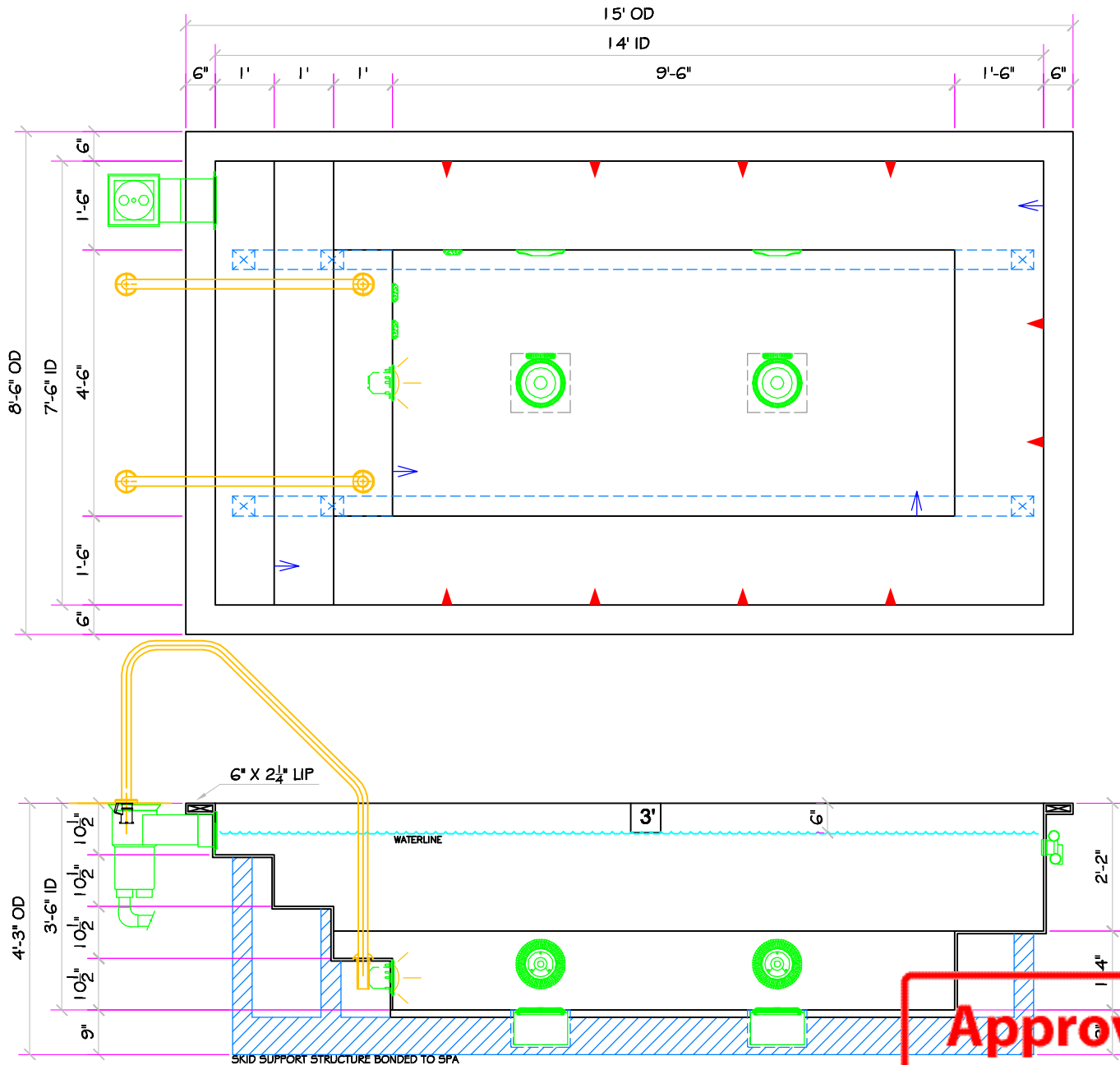
SHEET

Revision History

These drawings, concepts, and details contained herein are the original proprietary designs of NESPA ENTERPRISES, developed over many years of experience in the pool and spa industry and as such are protected by the copyright laws of the United States Government. Reproduction of any of the above without written permission to do so by NESPA ENTERPRISES, is illegal.

| SPECIFICATIONS | |
|----------------|-------------|
| DRY WEIGHT: | 3700 |
| TOTAL WEIGHT: | 20787 |
| WATER: | 2050 |
| VOLUME: | 274 |
| WEIGHT: | 17087 |
| SURFACE AREA: | 105 SQ. FT. |
| IAPMO#: | 1138 |
| FDA#: | 2030305 |

| | |
|--|---|
| SKID SUPPORT STRUCTURE* BONDED TO SPA | |
| | |
| *SKIDS SUPPLIED BY NESPA | |
| LIGHT NICHE | |
| | SPA BRIGHT, 120 V, 100 WATT, 50' CORD, U.L. APPROVED |
| SKIMMER | |
| | HAYWARD SP-1084PVE SURFACE SKIMMER W/ EQUALIZER, NSF APPROVED |
| MAIN DRAIN | |
| | MAIN DRAIN GRATE, 10" Dia Frame, Approved Max Flow Rate: Floor = 208GPM, Wall = 98GPM @8.0 f.p.s., Max Flow = 210GPM Meets Or Exceeds Current ASME/ANSI A112.19.8 2007 National Standards |
| SIDEWALL SUCTION | |
| | 10" HIGH FLOW SAFETY DRAIN 200 GPM AT 8 FT/SEC Water Velocity, Meets Or Exceeds Current ASME/ANSI A112.19.8 2007 National Standards |
| EQUALIZER | |
| | 4" EQUALIZER HydroAir #10-8764 w/ 10-8706 cover 5.0 SQ. IN. OPEN AREA Max Flow 31 GPM @ 2psi COMPLIES W/ ANSI CODE ASME A112.19.8-07 U.L. APPROVED |
| SUCTION | |
| | 5" HIGH FLOW SUCTIONS WATERWAY #640-3850 8.39 SQ. IN. OPEN AREA 208 GPM AT 1.5 FT/SEC COMPLIES W/ ANSI CODE A112.19 U.L. APPROVED |
| JET | |
| | HYDRO INLETS 1-1/2" WATER - 1-1/2" AIR 15 G.P.M. HYDROAIR #10-8100 COMPLIES W/ ANSI CODE ASME A112.19.8-07 U.L. APPROVED |
| FILL | |
| | INLET FITTINGS 1-1/2" WALL TYPE W/ EYEBALL HYDROAIR #10-3500 COMPLIES W/ ANSI CODE ASME A112.19.8-07 U.L. APPROVED |



ALL DIMENSIONS SUBJECT TO 1/4" TOLERANCES

Oct 16, 2008 - 12:41pm

These drawings, concepts, and details contained herein are the original proprietary designs of NESPA ENTERPRISES, developed over many years of experience in the pool and spa industry and as such are protected by the copyright laws of the United States Government. Reproduction of any of the above without written permission to do so by NESPA ENTERPRISES, is illegal.

NESPA ENTERPRISES INC.
 2800 Richter Ave. Ste. C Oroville, CA 95966
 Office: (530) 534-9910 Fax: (530) 534-9915
 E-Mail: sales@tiledspas.com Web Site: www.tiledspas.com



| | | |
|--------------------|--------------------------|-----------------------|
| SIZE A | DWG NAME BELFAST YMCA | DWG TYPE SD2 |
| SCALE 3/8" = 1' | DATE 9/3/2008 | SHEET PAGE 1 OF 10 |

- #1 - FIELD TILE: Arctic White - D617 - 2 X 2
- #2 - WATERLINE (optional): Arctic White - D617 - 2 X 2
- #3 - BENCH & STEP EDGES (optional): Black - D311 - 2 X 2
- #4 - TILED LIP (optional): Arctic White - D617 - 2 X 2

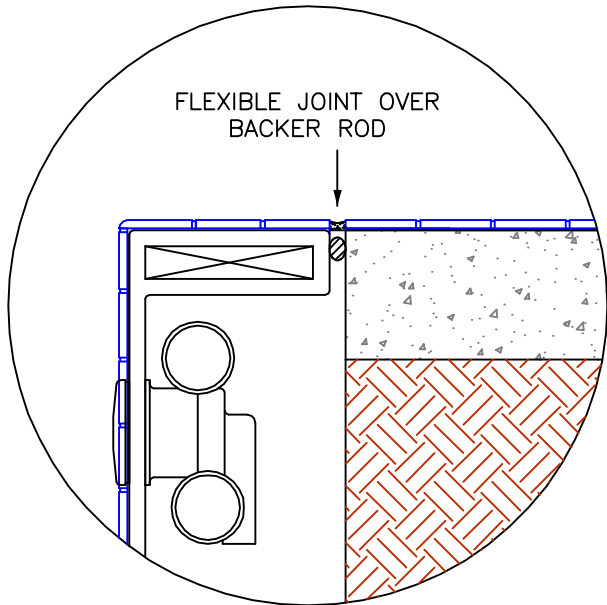
Date: _____

Approval: _____

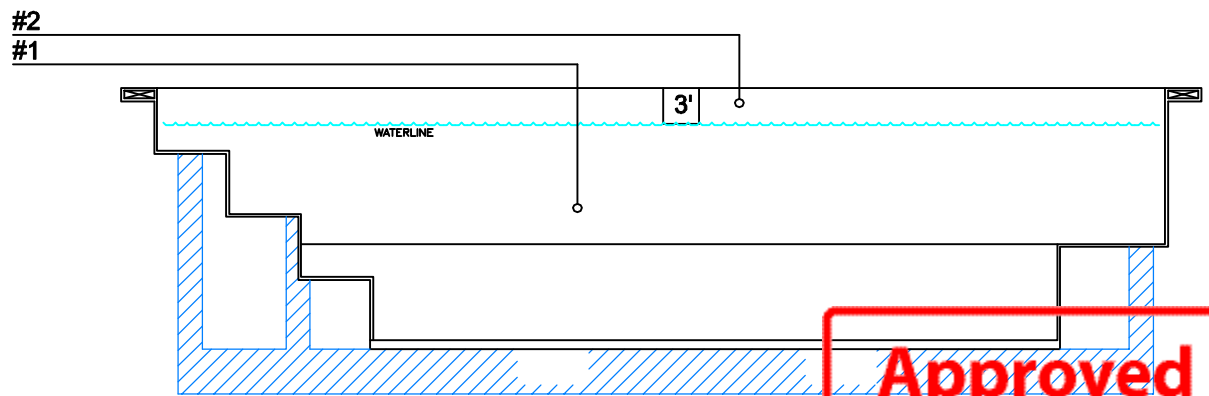
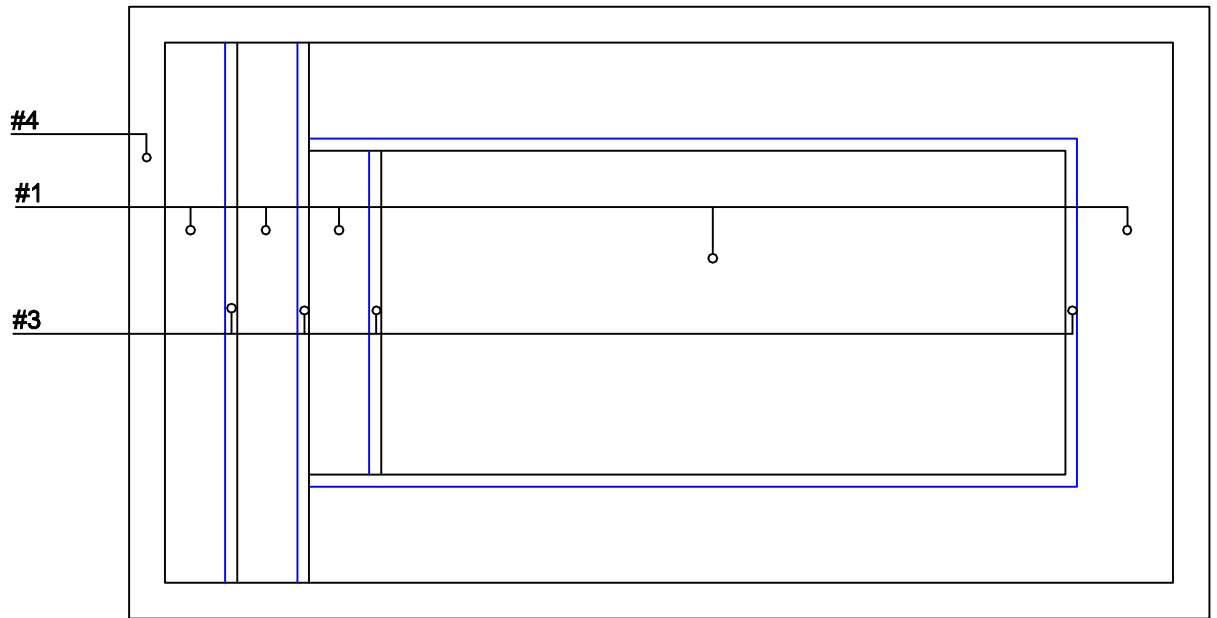
#1 - GROUT: D617- White epoxy grout

#2 - GROUT: D311- Black grout

#3 - GROUT: _____



Partially tiled lip, horizontal only
with transition to deck at
same level



ALL DIMENSIONS SUBJECT TO 1/4" TOLERANCES

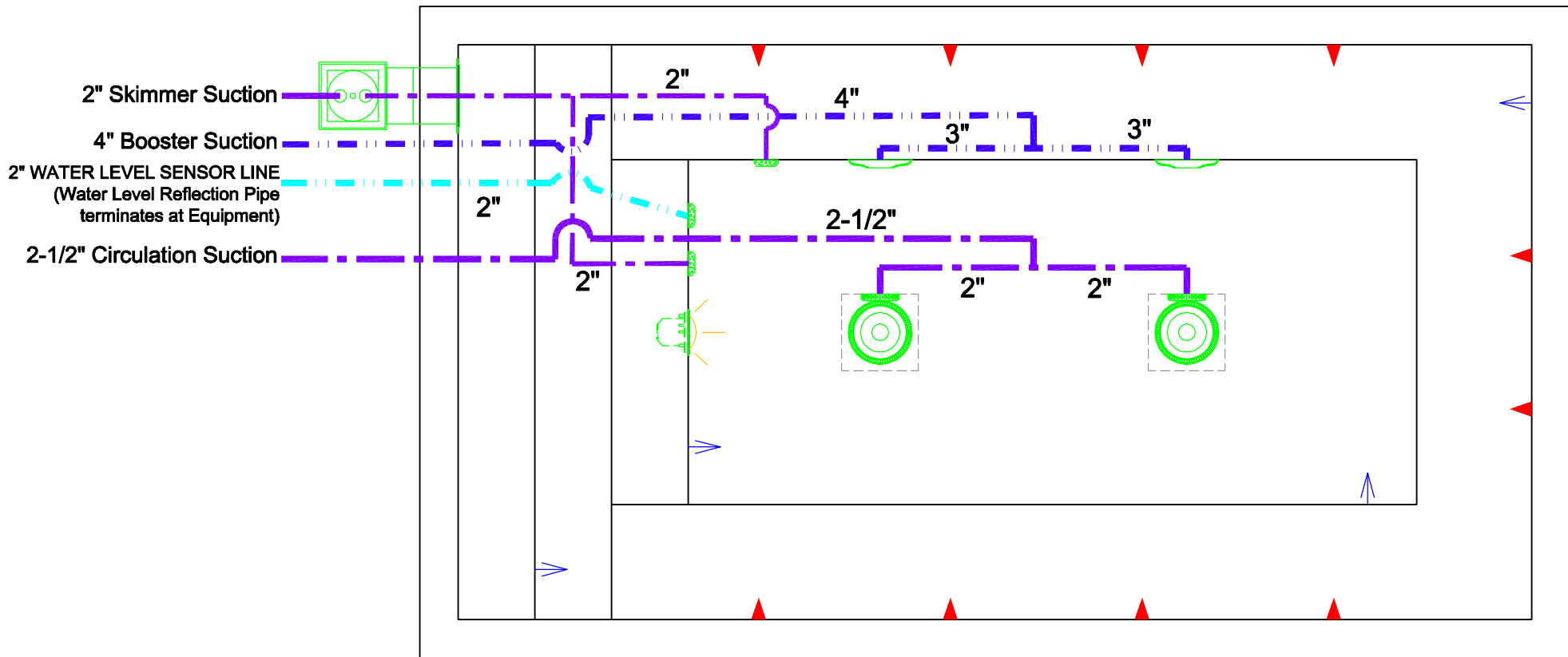
These drawings, concepts, and details contained herein are the original proprietary designs of NESPA ENTERPRISES, developed over many years of experience in the pool and spa industry and as such are protected by the copyright laws of the United States Government. Reproduction of any of the above without written permission to do so by NESPA ENTERPRISES, is illegal.

NESPA ENTERPRISES INC.
 2800 Richter Ave. Ste. C Oroville, CA 95966
 Office: (530) 534-9910 Fax: (530) 534-9915
 E-Mail: sales@tiledspas.com Web Site: www.tiledspas.com



| | | | |
|-----------------|--------------------------|------------------|--------------|
| SIZE A | DWG NAME BELFAST YMCA | DWG TYPE TILE | |
| SCALE 3/8" = 1' | DATE 10/16/2008 | SHEET | PAGE 2 OF 10 |

Oct 16, 2008 - 12:41pm



Approved

Oct 16, 2008 - 12:41pm

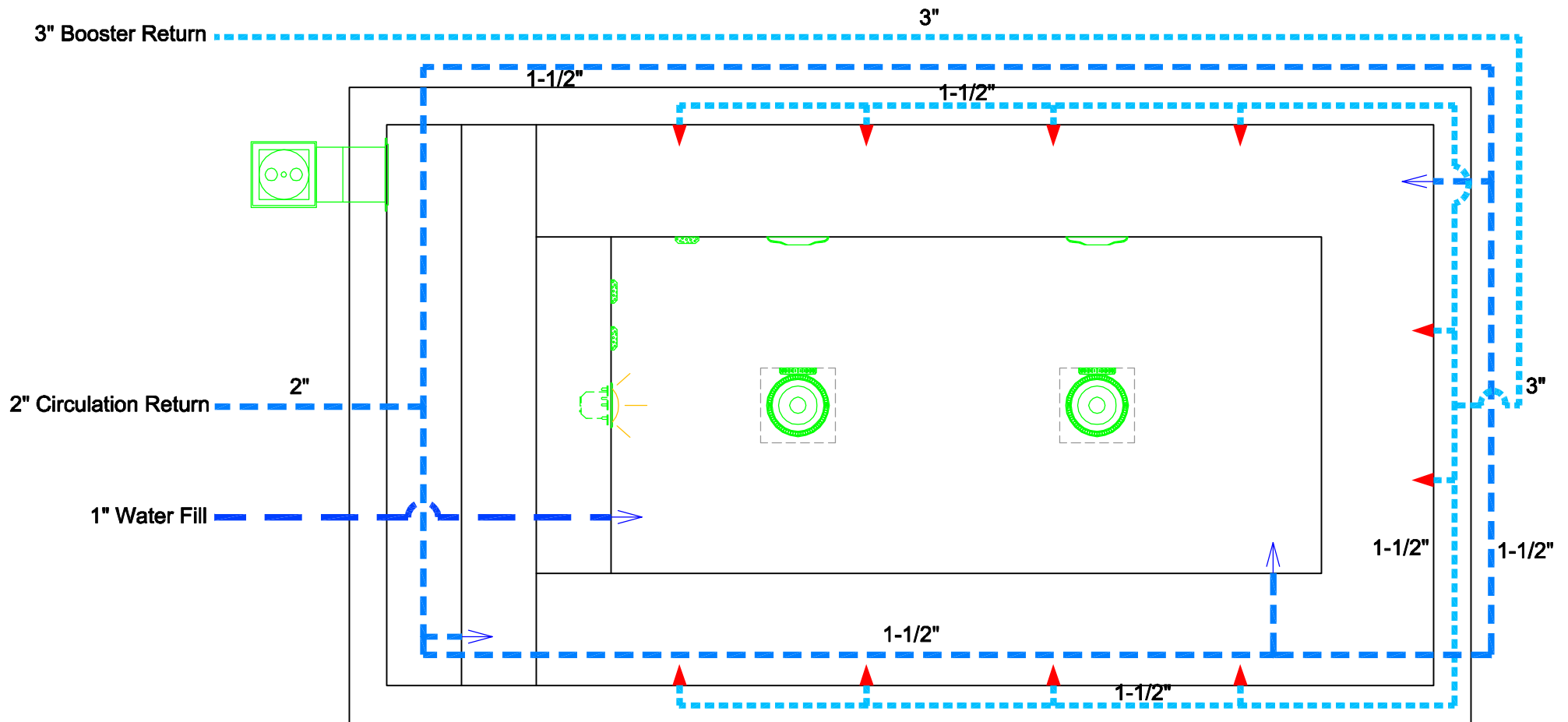
ALL DIMENSIONS SUBJECT TO 1/4" TOLERANCES

These drawings, concepts, and details contained herein are the original proprietary designs of NESPA ENTERPRISES, developed over many years of experience in the pool and spa industry and as such are protected by the copyright laws of the United States Government. Reproduction of any of the above without written permission to do so by NESPA ENTERPRISES, is illegal.

NESPA ENTERPRISES INC.
 2800 Richter Ave. Ste. C Oroville, CA 95966
 Office: (530) 534-9910 Fax: (530) 534-9915
 E-Mail: sales@tiledspas.com Web Site: www.tiledspas.com



| | | |
|-----------------|--------------------------|------------------------------|
| SIZE A | DWG NAME BELFAST YMCA | DWG TYPE Suction Plumbing |
| SCALE 1/2" = 1' | DATE 7/9/2008 | SHEET PAGE 3 OF 10 |



Approved

Oct 16, 2008 - 12:41pm

ALL DIMENSIONS SUBJECT TO 1/4" TOLERANCES

These drawings, concepts, and details contained herein are the original proprietary designs of NESPA ENTERPRISES, developed over many years of experience in the pool and spa industry and as such are protected by the copyright laws of the United States Government. Reproduction of any of the above without written permission to do so by NESPA ENTERPRISES, is illegal.

NESPA ENTERPRISES INC.

2800 Richter Ave. Ste. C Oroville, CA 95966

Office: (530) 534-9910

Fax: (530) 534-9915

E-Mail: sales@tiledspas.com Web Site: www.tiledspas.com



SIZE
A

DWG NAME

BELFAST YMCA

DWG TYPE

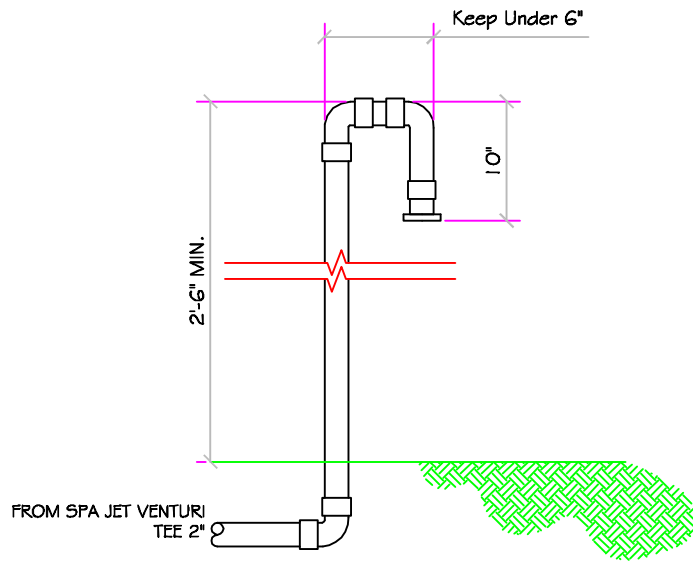
Return Plumbing

SCALE 1/2" = 1'

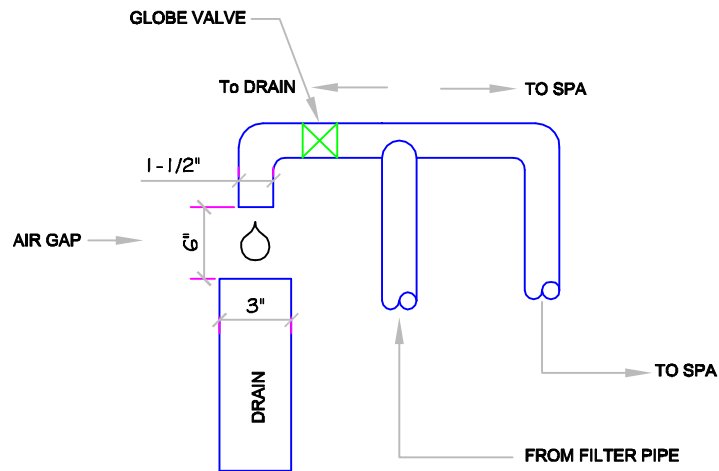
DATE 7/9/2008

SHEET

PAGE 4 OF 10

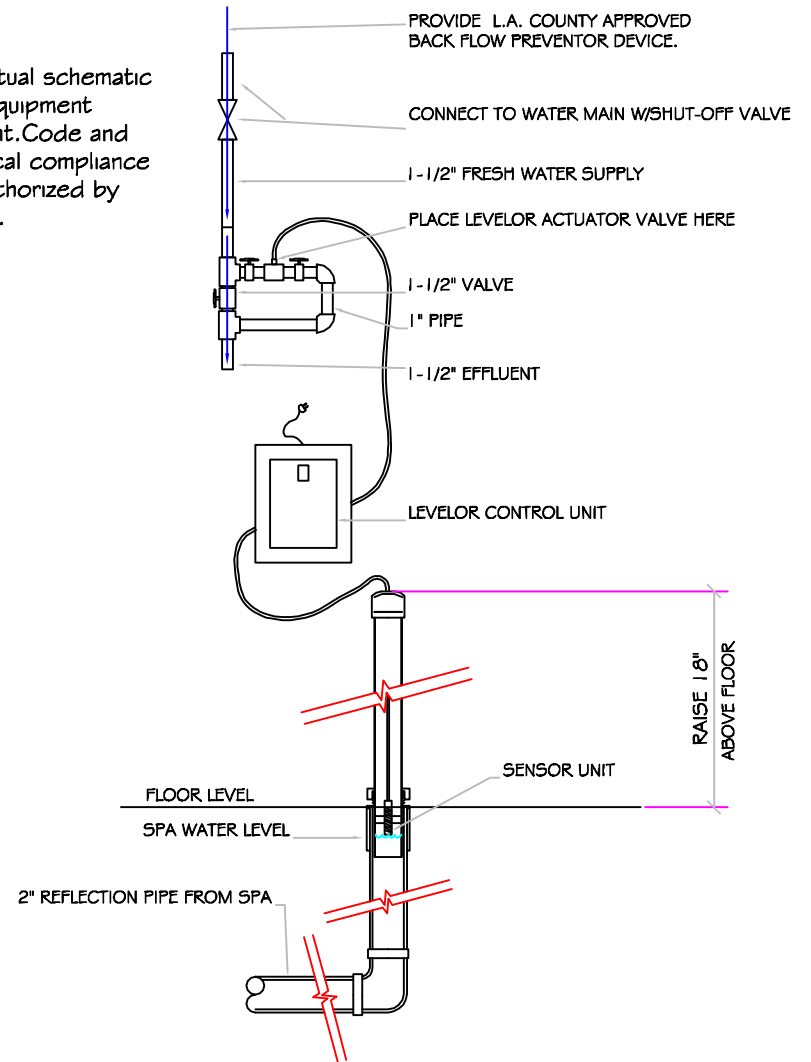


AIR SUPPLY LOOP DETAIL



DRAIN TO WASTE DETAIL

Note:
 Conceptual schematic
 of spa equipment
 placement. Code and
 Mechanical compliance
 to be authorized by
 engineer.



WATER LEVEL CONTROL

Approved

Oct 16, 2008 - 12:41pm

ALL DIMENSIONS SUBJECT TO 1/4" TOLERANCES

These drawings, concepts, and details contained herein are the original proprietary designs of NESPA ENTERPRISES, developed over many years of experience in the pool and spa industry and as such are protected by the copyright laws of the United States Government. Reproduction of any of the above without written permission to do so by NESPA ENTERPRISES, is illegal.

NESPA ENTERPRISES INC.

2800 Richter Ave. Ste. C Oroville, CA 95966

Office: (530) 534-9910

Fax: (530) 534-9915

E-Mail: sales@tiledspas.com Web Site: www.tiledspas.com



SIZE
A

DWG NAME

BELFAST YMCA

DWG TYPE

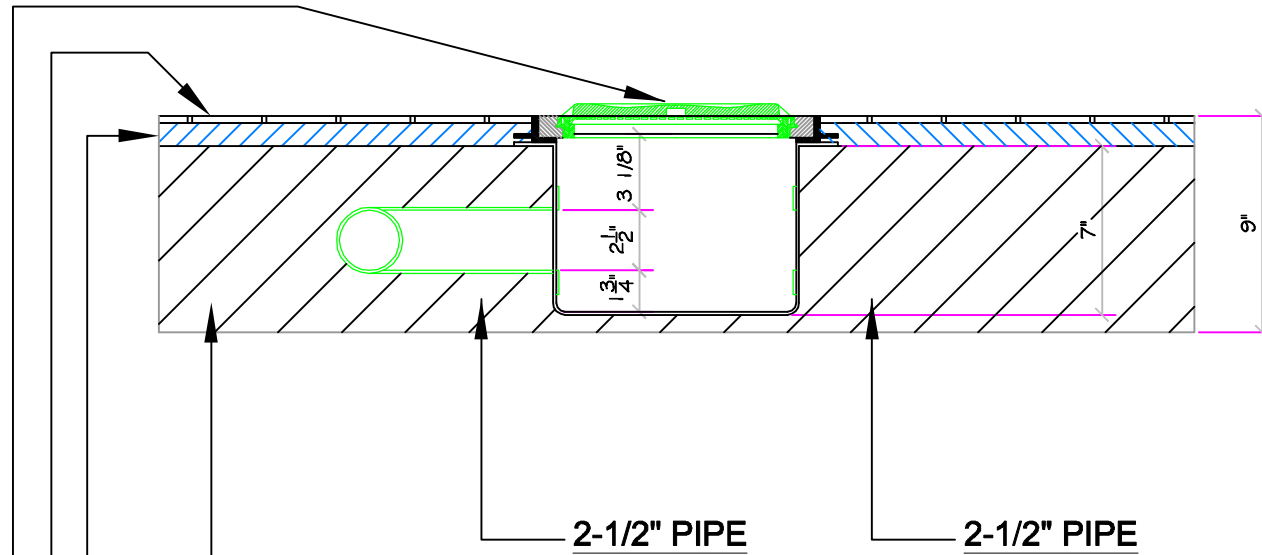
Plumbing Detail

SCALE 3/4" = 1'

DATE 7/8/2008

SHEET

PAGE 5 OF 10



FIBERGLASS SKID: TREATED 4X8 DF, ENCASED IN 1/4" FIBERGLASS
FIBERGLASS SHELL: CORE COMPOSED OF 1" CDX PLYWOOD
TILE
MAIN DRAIN GRATE, 10" Diameter Frame,
Approved Max Flow Rate:
Floor = 206GPM, Wall = 96GPM
@6.0 f.p.s., Max Flow = 210GPM
Meets Or Exceeds Current ASME/ANSI
A112.19.8 2007 National Standards

Approved

Oct 16, 2008 - 12:41pm

ALL DIMENSIONS SUBJECT TO 1/4" TOLERANCES

These drawings, concepts, and details contained herein are the original proprietary designs of NESPA ENTERPRISES, developed over many years of experience in the pool and spa industry and as such are protected by the copyright laws of the United States Government. Reproduction of any of the above without written permission to do so by NESPA ENTERPRISES, is illegal.

NESPA ENTERPRISES INC.
 2800 Richter Ave. Ste. C Oroville, CA 95966
 Office: (530) 534-9910 Fax: (530) 534-9915
 E-Mail: sales@tiledspas.com Web Site: www.tiledspas.com

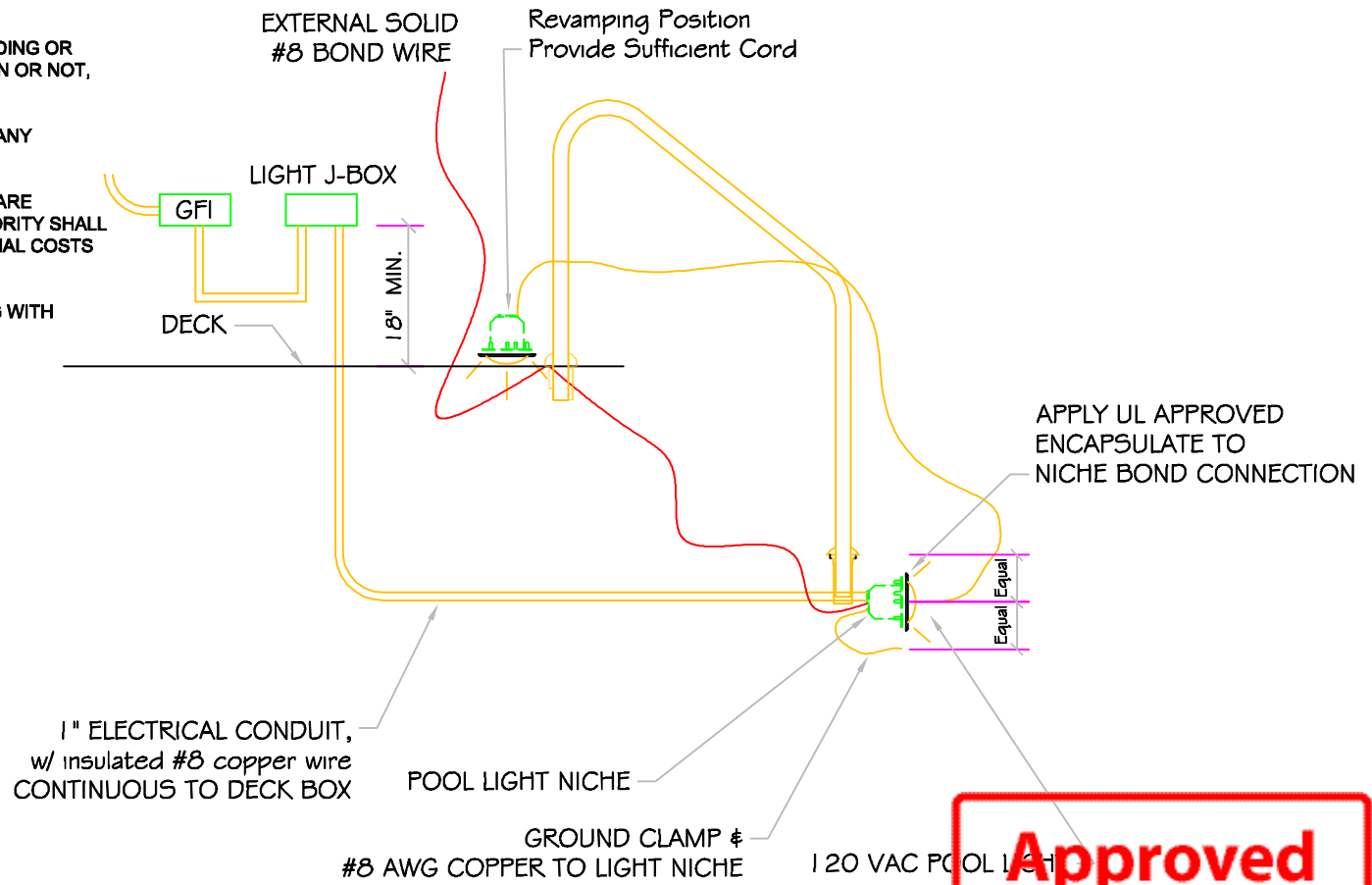


| | | |
|--------------------------|---------------------------------|-------------------------------|
| SIZE A | DWG NAME BELFAST YMCA | DWG TYPE Main Drain |
| SCALE 1 1/2" = 1' | DATE 7/9/2008 | SHEET PAGE 6 OF 10 |

POOL BONDING REQUIREMENTS:

1. THE FOLLOWING PARTS SHALL BE BONDED TOGETHER AND CONNECTED TO THE COMMON BONDING GRID.
 - A. ALL THE METALLIC PARTS OF THE POOL STRUCTURE INCLUDING COPPING STONES, DECK, PERMANENT PLAY STRUCTURES, PERMANENT EXERCISE STRUCTURES.
 - B. ALL METAL FITTINGS WITHIN OR ATTACHED TO THE POOL STRUCTURE
 - C. METAL PARTS ASSOCIATED WITH THE POOL WATER CIRCULATING SYSTEM, INCLUDING PUMPS, FILTERS, AND HEATERS.
 - D. METAL PARTS ASSOCIATED WITH POOL COVERS
 - E. METAL SHEATHED CABLES AND RACEWAYS, METAL PIPING AND ALL FIXED METAL PARTS WITHIN 5 FEET HORIZONTALLY OF INSIDE WALLS OF POOL AND WITHIN 12 FEET ABOVE MAXIMUM WATER LEVEL OF POOL.
 - F. METAL PARTS ASSOCIATED WITH OBSERVATION STANDS, TOWERS, PLATFORMS, AND DIVING STRUCTURES.
2. BONDING CONDUCTORS SHALL BE MINIMUM #8 SOLID COPPER, INSULATED E.C. SHALL COORDINATE APPROVED CONNECTOR TYPE AND METHOD WITH LOCAL ELECTRICAL AND/ OR POOL INSPECTOR.
3. SPECIFIC MANUFACTURER'S INSTRUCTIONS REGARDING BONDING OR GROUNDING OF POOL EQUIPMENT, WHETHER INDICATED HEREIN OR NOT, SHALL BE STRICTLY FOLLOWED.
4. THE COMMON BONDING GRID SHALL NOT BE CONNECTED TO ANY ELECTRICAL DISTRIBUTION EQUIPMENT.
5. ANY PARTS IN ADDITION TO THOSE DESCRIBED HEREIN THAT ARE INDICATED BY POOL CONTRACTOR OR LOCAL INSPECTION AUTHORITY SHALL BE BONDED TO THE COMMON BONDING GRID WITH NO ADDITIONAL COSTS INCURRED BY THE OWNER.
6. THE ELECTRICAL CONTRACTOR SHALL COORDINATE BONDING WITH GENERAL CONTRACTOR.

LIGHT DETAIL



Approved

Oct 16, 2008 - 12:41pm

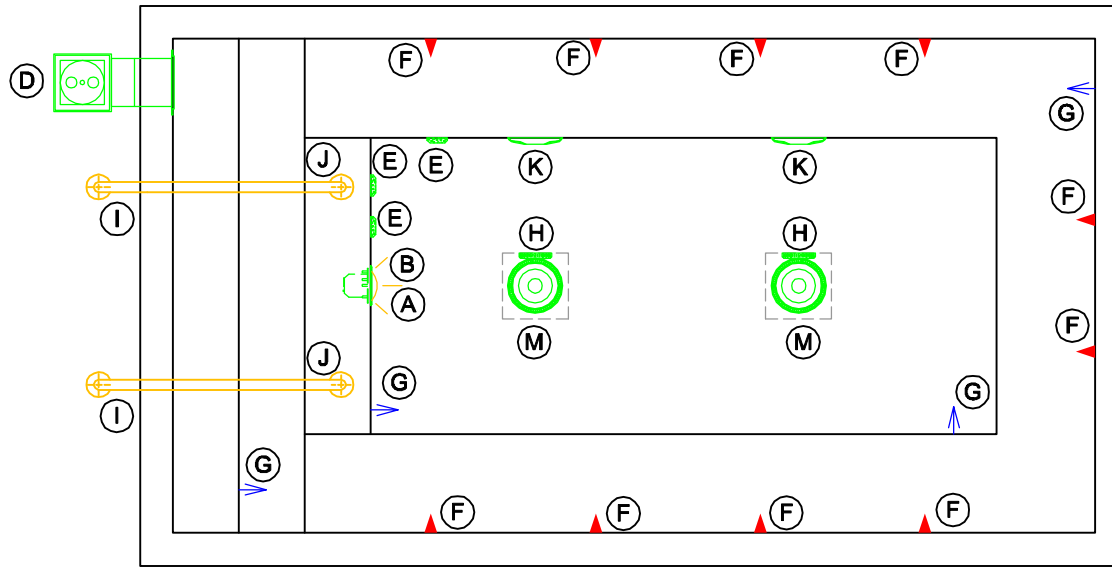
ALL DIMENSIONS SUBJECT TO 1/4" TOLERANCES

These drawings, concepts, and details contained herein are the original proprietary designs of NESPA ENTERPRISES, developed over many years of experience in the pool and spa industry and as such are protected by the copyright laws of the United States Government. Reproduction of any of the above without written permission to do so by NESPA ENTERPRISES, is illegal.

NESPA ENTERPRISES INC.
 2800 Richter Ave. Ste. C Oroville, CA 95966
 Office: (530) 534-9910 Fax: (530) 534-9915
 E-Mail: sales@tiledspas.com Web Site: www.tiledspas.com



| | | |
|--------------------|--------------------------|----------------------------|
| SIZE A | DWG NAME BELFAST YMCA | DWG TYPE Bonding Detail |
| SCALE 1/2" = 1' | DATE 7/8/2008 | SHEET PAGE 7 OF 10 |



| ITEM | DESCRIPTION | MANUFACTURER | CATALOG NO. | QTY. |
|------|---|-----------------|--|------|
| A | LIGHT NICHE (FOR UNDERWATER LIGHT) W/ 1" HUB | PENTAIR/PACFAB | 782423 | 1 |
| B | SPA BRIGHT UNDERWATER LIGHT, 120 VOLT, 100 WATT, 50' CORD, U.L. APPROVED | PENTAIR/PACFAB | 78108100 | 1 |
| D | SURFACE SKIMMER W/ EQUALIZER, NSF APPROVED | HAYWARD | SP-1084 FVE | 1 |
| E | EQUALIZIER 4" 5.0 SQ. IN. OPEN AREA Max Flow 31 GPM @ 2fps - COMPLIES W/ ANSI CODE ASME A112.19.8-07 UL APPROVED | HYDROAIR | 10-6764 w/ 10-6706 cover | 2 |
| F | HYDRO INLETS, 1 1/2" WATER, 1 1/2" AIR | HYDROAIR | 10-5100 | 10 |
| G | INLET FITTINGS, 1 1/2", WALL TYPE, W/ EYEBALL | HYDROAIR | 10-3500 | 4 |
| H | 5" ANTI-VORTEX COVER AND FRAME - 12.9 Open Area Flow 80 GPM @ 2fps (anti-vortex @ 6fps) Complies w/ ANSI CODE ASME A112.19.8-07 - UL APPROVED | HYDROAIR | 10-6200 w/ 10-6011 anti-vortex cover | 2 |
| I | HAND RAIL, STAINLESS STEEL, 4' 0" LENGTH, W/ .065TUBING WALL THICKNESS | S.R. SMITH | 3HR-4-065-1 | 2 |
| J | BRONZE COMPRESSION CUP ANCHOR (6" X 1-1/2") | STANDARD BRONZE | PART # 5794 | 2 |
| K | 10" HIGH FLOW SAFETY DRAIN 200 GPM AT 6FT/SEC Water Velocity, Meets Or Exceeds Current ASME/ANSI A112.19.8 2007 National Standards | PARAMOUNT | SDK | 0 |
| M | MAIN DRAIN GRATE, 10" Dia Frame, Approved Max Flow Rate: Floor = 206GPM, Wall = 96GPM - Meets Or Exceeds Current ASME/ANSI A112.19.8 2007 National Standards | AQUASTAR | 10AV101 | 2 |



Oct 16, 2008 - 12:41pm

ALL DIMENSIONS SUBJECT TO 1/4" TOLERANCES

These drawings, concepts, and details contained herein are the original proprietary designs of NESPA ENTERPRISES, developed over many years of experience in the pool and spa industry and as such are protected by the copyright laws of the United States Government. Reproduction of any of the above without written permission to do so by NESPA ENTERPRISES, is illegal.

NESPA ENTERPRISES INC.

2800 Richter Ave. Ste. C Oroville, CA 95966

Office: (530) 534-9910

Fax: (530) 534-9915

E-Mail: sales@tiledspas.com Web Site: www.tiledspas.com



SIZE
A

DWG NAME

BELFAST YMCA

DWG TYPE

Equipment List

SCALE

N/A

DATE 9/3/2008

SHEET

PAGE 8 OF 10

A B

D

D

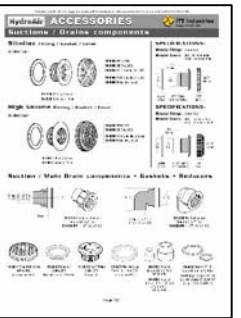
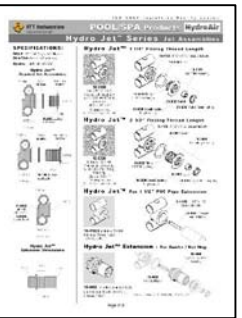
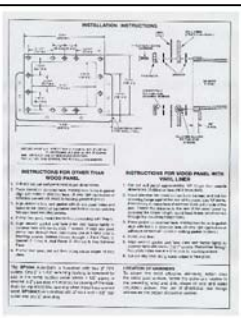
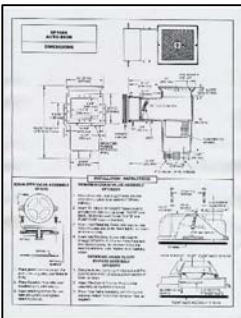
D

D

E

F

G



H

K

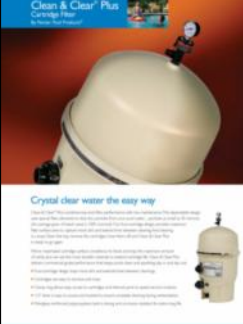
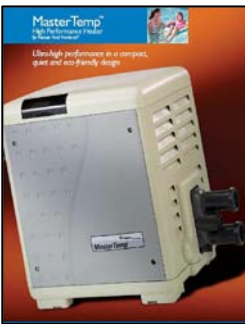
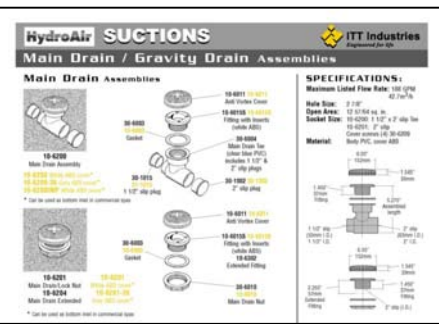
M

N

O

P

Q

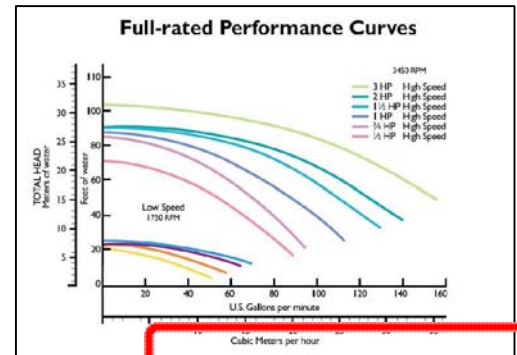


V

X



Z



Approved

ALL DIMENSIONS SUBJECT TO 1/4" TOLERANCES

These drawings, concepts, and details contained herein are the original proprietary designs of NESPA ENTERPRISES, developed over many years of experience in the pool and spa industry and as such are protected by the copyright laws of the United States Government. Reproduction of any of the above without written permission to do so by NESPA ENTERPRISES, is illegal.

NESPA ENTERPRISES INC. 2800 Richter Ave. Ste. C Oroville, CA 95966 Office: (530) 534-9910 Fax: (530) 534-9915 E-Mail: sales@tiledspas.com Web Site: www.tiledspas.com



| | | |
|--------------|--------------------------|----------------------|
| SIZE A | DWG NAME BELFAST YMCA | DWG TYPE EQ Docs |
| SCALE N/A | DATE 7/9/2008 | SHEET PAGE 1 OF 9 |

Oct 16, 2008 - 12:42pm

AquaLight™ and SpaBrite™

Compact Pool and Spa Lights

High intensity compact lights from the world leader in pool and spa lighting

AquaLight and SpaBrite lights are compact units especially designed to provide big lighting performance for smaller pools and spas. Whether you choose the halogen quartz AquaLight or the incandescent SpaBrite, your pool or spa will shine brilliantly when the sun goes down. Both lights feature high quality stainless steel housings and face rings for durability. Tempered glass lenses provide optimum light diffusion. Each light comes complete with red and blue snap-on lens-covers.

Standard features include:

- Prismatic tempered glass lens for optimum light diffusion.
- Optional blue, magenta, green, purple, and blue-green mood-setting snap-on lenses.
- Heat-sensing cut-off device for low water protection.
- AquaLight available with halogen quartz lamps from 75 watts to 250 watts. SpaBrite features 100 watt incandescent lamp.
- Corrosion resistant stainless steel housing and face rings are strong and durable.
- Plastic snap-on face rings available to coordinate with your pool finish.
- Easy service stainless steel clamp for quick and easy bulb replacement.
- Three-year warranty. See warranty for details.



ALL DIMENSIONS SUBJECT TO 1/4" TOLERANCES

NESPA ENTERPRISES INC.

2800 Richter Ave. Suite C Oroville, CA 95966

Office: (530) 534-9910

Fax: (530) 534-9915

E-Mail: sales@tiledspas.com Web Site: www.tiledspas.com



DWG NAME

BELFAST YMCA

DWG TYPE

(A-B) Light

SCALE N/A

DATE 7/9/2008

SHEET PAGE 2 OF 9

Approved

Oct 16, 2008 - 12:42pm

These drawings, concepts, and details contained herein are the original proprietary designs of NESPA ENTERPRISES, developed over many years of experience in the pool and spa industry and as such are protected by the copyright laws of the United States Government. Reproduction of any of the above without written permission to do so by NESPA ENTERPRISES, is illegal.



HAYWARD MODEL SP1084 AUTO-SKIM AUTOMATIC SURFACE SKIMMER

IS1084-05
Rev. C



IMPORTANT SAFETY INSTRUCTIONS

When installing and using this equipment basic safety precautions should always be followed, including the following:

Failure to follow instructions may result in injury.

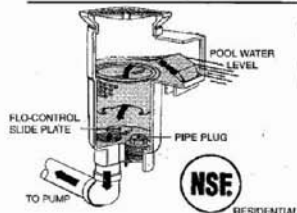
READ AND FOLLOW ALL INSTRUCTIONS

- DANGER—SUCTION ENTRAPMENT HAZARD.** Can cause serious injury or death. Do not use a pool or spa containing suction drain(s) unless associated pump(s) is connected to at least two (2) functioning suction outlets at least three (3) feet apart—see(3) below.
- WARNING—**To reduce risk of injury, do not permit children to use this product unless they are closely supervised at all times.
- WARNING—**A skimmer equipped or provided with an equalizer valve must be installed with an equalizer wall or drain fitting (suction cover) that conforms to the ANSI/ASME Standard A112.19.8M-1987 (R1996) to prevent hair or body entrapment at the skimmer equalizer wall or drain fitting.
- CAUTION—**This surface skimmer is for use with permanently installed pools and may also be used with hot tubs and spas. Do not use with storable pools. A permanently installed pool is constructed in or on the ground or in a building such that it cannot be readily disassembled for storage. A storable pool is constructed so that it is capable of being readily disassembled for storage and reassembled to its original integrity.
- CAUTION—**Never leave the cover off of an in-ground skimmer. Failure to ensure that skimmer cover(s) are securely attached could result in serious bodily injury. Missing, loose or cracked skimmer covers constitute a serious tripping hazard.
- Hayward Automatic Surface Skimmers must be installed in compliance with National Spa and Pool Institute Standards and in accordance with all applicable local and regional building codes.

SAVE THESE INSTRUCTIONS

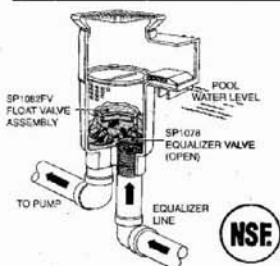
INSTALLATION AND OPERATING INSTRUCTIONS

The Auto-Skim is a rugged versatile automatic skimmer for residential or commercial installations. The illustrations below show the standard SP1082; the SP1082GV Skimmer-Main Drain Valve Assembly installed; and the SP1082 with SP1078 Equalizer Valve and SP1082FV Float Valve Assembly (#3). Consult inside pages for specific installation details and dimensions. To obtain the most effective skimming action over the entire pool surface, locate the skimmers relative to the prevailing wind and drift, shape of pool and water circulation pattern. The use of directional inlet fittings will ensure the proper circulation pattern. When two or more skimmers are plumbed into a common suction line, the flow is balanced through the skimmers by adjusting the Flo-Control Slide Plate at each unit.



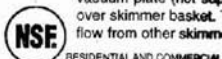
SP1084 STANDARD SKIMMER

- FLOW ADJUSTMENT—**For full flow, move Flo-Control Slide Plate to full open. To adjust flow, move Slide Plate to desired position over pump outlet.
- TO VACUUM—**Shut circulating pump off and remove skimmer cover. Fill vacuum hose with water and insert end of hose onto an SP1106 or SP1107 Skim-Vac (not supplied with skimmer). Place Skim-Vac through skimmer opening and over skimmer basket. Turn circulating pump on and proceed with vacuuming.



SP1084FVE—SKIMMER WITH EQUALIZER VALVE AND FLOAT VALVE ASSEMBLY

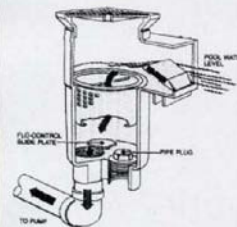
- EQUALIZER—**Model SP1078 Equalizer Valve Assembly installs over front port, and is used in conjunction with the SP1082FV Float Valve Assembly. If water level drops below skimmer opening, or if skimmer flow is obstructed, the float will automatically snap shut and the equalizer valve will open. This diverts all flow to the pump from the equalizer line and prevents airlock in the pump. When the pump is shut off, and the water level condition is corrected, the float will rise and the equalizer valve will close, allowing normal skimming operation when the pump is restarted.
- TO VACUUM—**Select one convenient skimmer and remove cover. Fill vacuum hose with water and insert onto SP1106 or SP1107 Skim-Vac (not supplied with skimmer) over basket vacuum plate (not supplied with skimmer). Place Skim-Vac through skimmer opening and over skimmer basket. Turn circulating pump on and proceed with vacuuming. Throttle down flow from other skimmer(s) until desired suction is obtained through vacuum hose.



HAYWARD MODEL SP1084 AUTO-SKIM AUTOMATIC SURFACE SKIMMER INSTALLATION AND OPERATING INSTRUCTIONS

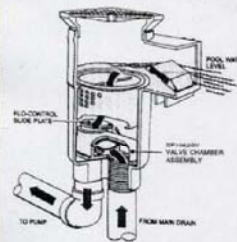
IS1084-00

The Auto-Skim is a rugged, versatile automatic skimmer for residential or commercial installations. The illustrations below show the standard SP1084 (#1); the SP1082GV Skimmer-Main Drain Valve Assembly installed (#2); and the SP1084 with SP1078 Equalizer Valve and SP1082FV Float Valve Assembly (#3). Consult inside pages for specific installation details and dimensions.



1. BASIC UNIT

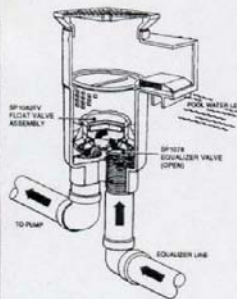
- FLOW ADJUSTMENT—**For full flow, move Flo-Control Slide Plate to full open. To adjust flow, move Slide Plate to desired position over pump outlet.
- TO VACUUM—**Remove cover and basket. Screw hose adapter into pump outlet. Fill vacuum hose with water and insert over hose adapter. Or use optional Skim-Vac over basket vacuum plate.



2. SKIMMER WITH MAIN DRAIN CONNECTION

- FULL SKIM—**Place Valve Lever in straight-up position. Open Slide Plate.
- 1/2 SKIM - 1/2 MAIN DRAIN—**Place Valve Lever at 45° (half-down). Open Slide Plate 1/2.
- FULL MAIN DRAIN (SWEEP)—**Place Valve Lever down. Close Slide Plate.

- TO VACUUM—**Remove cover and basket. Place Valve Lever straight up. Fill vacuum hose with water, and insert into opening in Valve Chamber. Or use optional Skim-Vac over basket vacuum plate.



3. SP1084FVE—SKIMMER WITH EQUALIZER VALVE AND FLOAT VALVE ASSEMBLY

- EQUALIZER—**Model SP1078 Equalizer Check Valve Assembly installs over front port, and is used in conjunction with the SP1082FV Float Valve Assembly. If water level drops below skimmer opening, or if skimmer flow is obstructed, the float will automatically snap shut and the equalizer valve will open. This diverts all flow to the pump from the equalizer line and prevents airlock in the pump. When the pump is shut off, and the water level condition is corrected, the float will rise and the equalizer valve will close, allowing normal skimming operation when the pump is restarted.
- TO VACUUM—**Select one convenient skimmer and remove cover, basket and float valve assembly. Screw hose adapter into pump outlet. Fill vacuum hose with water and insert over hose adapter. Throttle down flow from other skimmer(s) until desired suction is obtained through vacuum.



NOTE: When two or more skimmers are plumbed into a common suction line, the flow is balanced through the skimmers by adjusting the Flo-Control Slide Plate at each unit.

Approved

ALL DIMENSIONS SUBJECT TO 1/4" TOLERANCES

These drawings, concepts, and details contained herein are the original proprietary designs of NESPA ENTERPRISES, developed over many years of experience in the pool and spa industry and as such are protected by the copyright laws of the United States Government. Reproduction of any of the above without written permission to do so by NESPA ENTERPRISES, is illegal.

NESPA ENTERPRISES INC.
2800 Richter Ave. Ste. C Oroville, CA 95966
Office: (530) 534-9910 Fax: (530) 534-9915
E-Mail: sales@tiledspas.com Web Site: www.tiledspas.com



| | | |
|--------------|--------------------------|------------------------|
| SIZE A | DWG NAME BELFAST YMCA | DWG TYPE (D)Skimmer |
| SCALE N/A | DATE 7/8/2008 | SHEET PAGE 3 OF 9 |

Oct 16, 2008 - 12:42pm



POOL/SPA Products **HydroAir**

High Volume Suction Assemblies

SPECIFICATIONS:

Maximum Listed Flow Rate:

Plastic 80 GPM
Metal 64 GPM

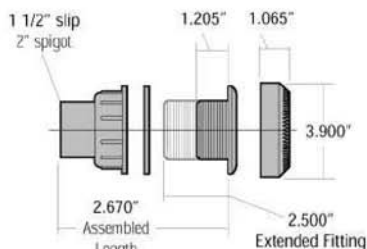
Hole Size: Use 2 1/2" hole saw

Open Area: 3 39/64 sq. in.

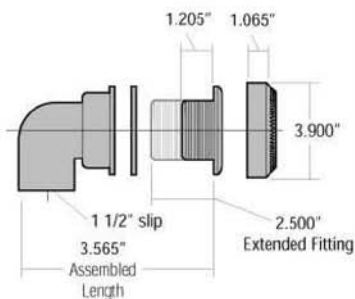
Socket Size: 1 1/2" slip

Options: Wrench 30-7825

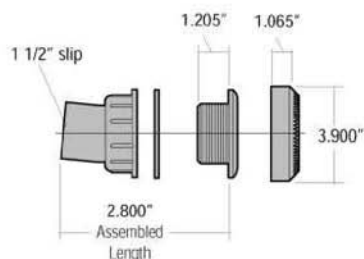
Gunite extension 10-5401



Straight Nut Assembly

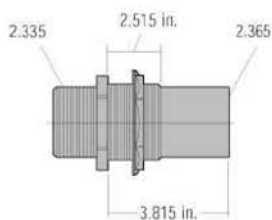


90° Nut Assembly

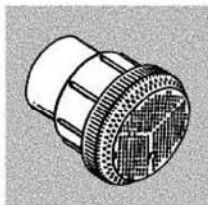


10° Offset Straight Nut Assembly

Gunite Extension Dimensions Fits all High Volume Suctions



High Volume Suction Straight Nut Assembly

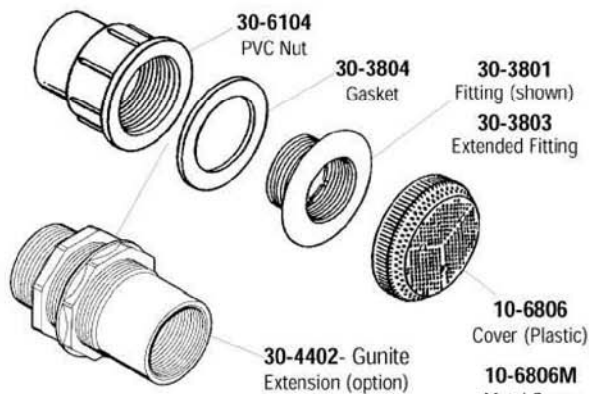


10-6800
Suction Assembly
80 per case, 43 lbs. *

10-6800M - Metal
Suction Assembly
100 per case, 58 lbs. *

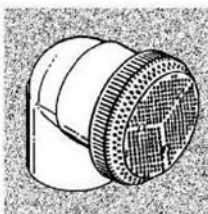
10-6830 Extended
Suction Assembly

10-6830M - Metal
Extended Suction Assembly



* Shipping carton size: 21 - 5/16" x 14 - 5/8" x 14 - 7/8"

High Volume Suction 90° Nut Assembly

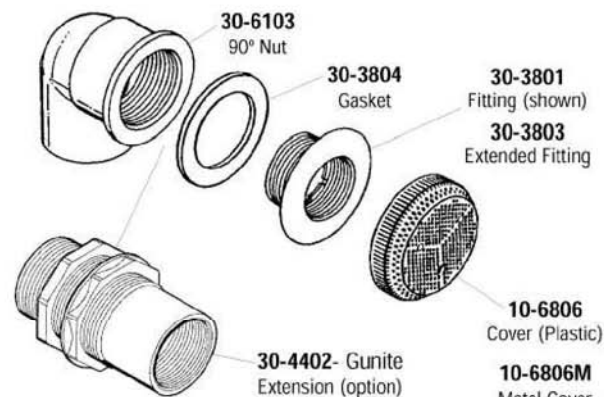


10-6809
90° Suction Assembly
60 per case, 42 lbs. *

10-6809M - Metal
90° Suction Assy.
60 per case, 45 lbs. *

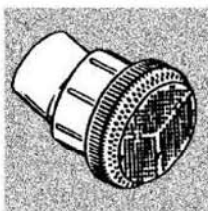
10-6839 Extended
Suction Assembly

10-6839M - Metal
Extended Suction Assembly



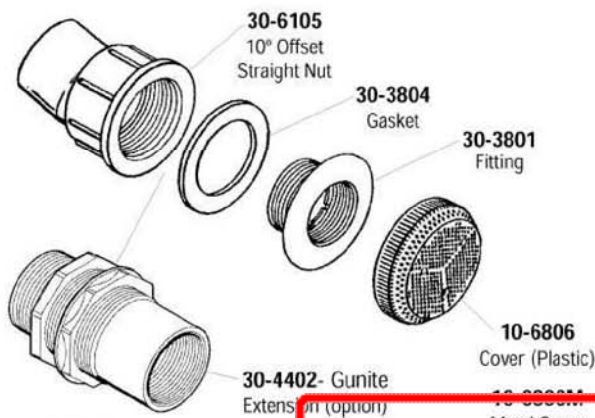
* Shipping carton size: 21 - 5/16" x 14 - 5/8" x 14 - 7/8"

High Volume Suction 10° Offset Nut Assembly



10-6819
10° Offset Suction Assy.
80 per case, 41 lbs. *

10-6819M - Metal
10° Offset Suction Assy.
100 per case, 55 lbs. *



* Shipping carton size: 21 - 5/16" x 14 - 5/8" x 14 - 7/8"

Approved

Oct 16, 2008 - 12:42pm

ALL DIMENSIONS SUBJECT TO 1/4" TOLERANCES

NESPA ENTERPRISES INC.

2800 Richter Ave. Suite C Oroville, CA 95966

Office: (530) 534-9910

Fax: (530) 534-9915

E-Mail: sales@tiledspas.com Web Site: www.tiledspas.com



DWG NAME

BELFAST YMCA

DWG TYPE

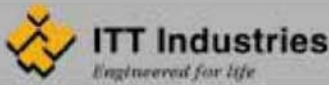
(E) Equalizer

SCALE N/A

DATE 7/9/2008

SHEET

PAGE 4 OF 9



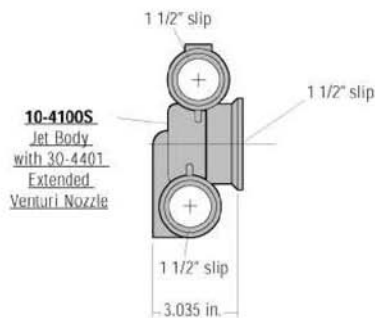
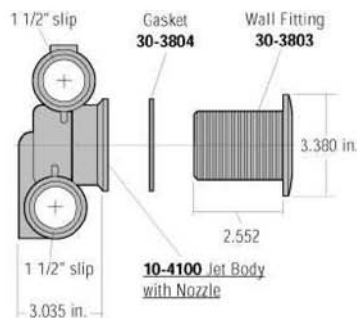
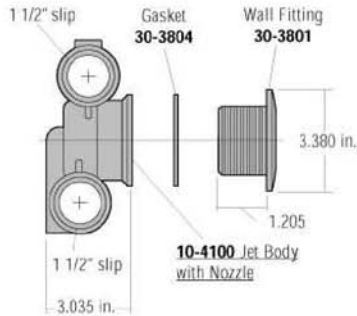
POOL/SPA Products HydroAir

Hydro Jet™ Series Jet Assemblies

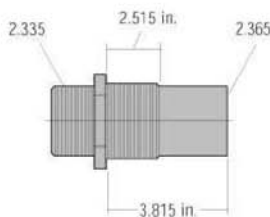
SPECIFICATIONS:

Output : 13 GPM, 12 psi, 3/8" Nozzle
Hole Size: Use 2 3/8" hole saw
Options: Hand Held 16-5303

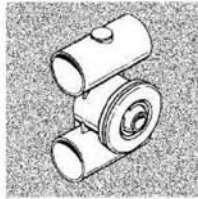
Hydro Jet™ Stacked Jet Assemblies



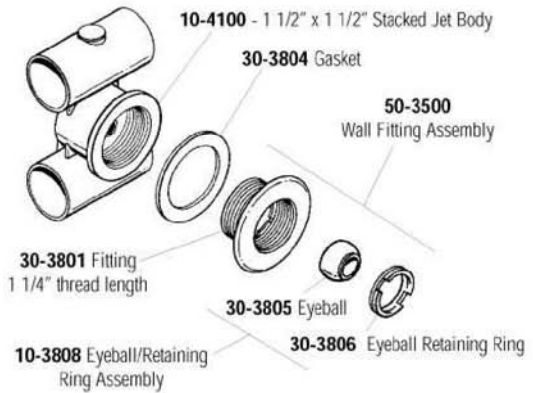
Hydro Jet™ Extension Dimensions



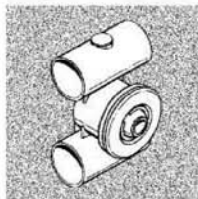
Hydro Jet™ 1 1/4" Fitting Thread Length



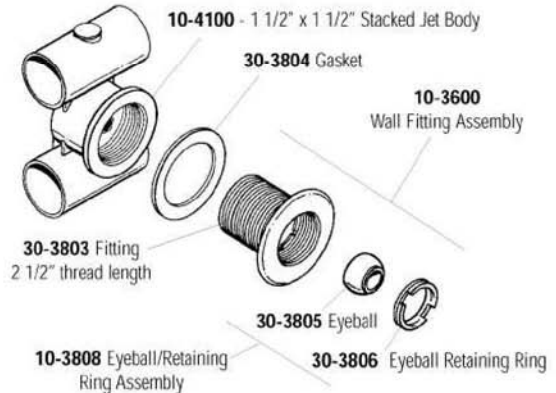
10-5100
 includes: 10-4100 Stacked Jet Assembly & 50-3500 Wall Fitting Assembly (40/case, 42 lbs.) *
 * Shipping carton size: 21 - 5/16" x 14 - 5/8" x 14 - 7/8"



Hydro Jet™ 2 1/2" Fitting Thread Length



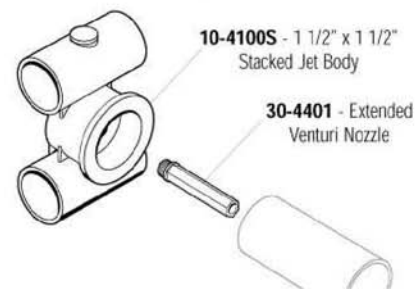
10-5300
 includes: 10-4100 Stacked Jet Assembly & 10-3600 Wall Fitting Assembly (30/case, 35 lbs.) *
 * Shipping carton size: 21 - 5/16" x 14 - 5/8" x 14 - 7/8"



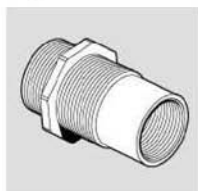
Hydro Jet™ For 1 1/2" PVC Pipe Extension



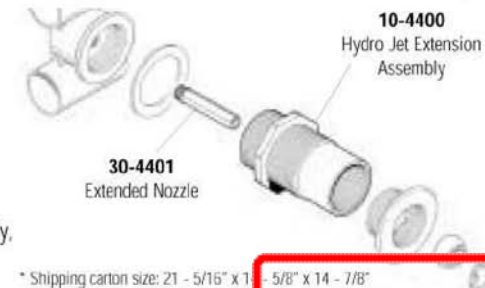
10-4100S includes: 30-4401 Extended Venturi Nozzle (30/case, 35 lbs.) *



Hydro Jet™ Extension - For Gunite / Hot Mop



10-4400 includes: Extension Body, and Extended Nozzle (30-4401) (60/case, 32 lbs.) *



* Shipping carton size: 21 - 5/16" x 14 - 5/8" x 14 - 7/8"

Approved
 Oct 16, 2008 - 12:42pm

ALL DIMENSIONS SUBJECT TO 1/4" TOLERANCES

NESPA ENTERPRISES INC.
 2800 Richter Ave. Suite C Oroville, CA 95966
 Office: (530) 534-9910 Fax: (530) 534-9915
 E-Mail: sales@tiledspas.com Web Site: www.tiledspas.com



| | | | | |
|----------|--------------|------|----------|-------------------|
| DWG NAME | BELFAST YMCA | | DWG TYPE | (F) Jets |
| SCALE | N/A | DATE | 7/9/2008 | SHEET PAGE 5 OF 9 |

These drawings, concepts, and details contained herein are the original proprietary designs of NESPA ENTERPRISES, developed over many years of experience in the pool and spa industry and as such are protected by the copyright laws of the United States Government. Reproduction of any of the above without written permission to do so by NESPA ENTERPRISES, is illegal.



ACCESSORIES

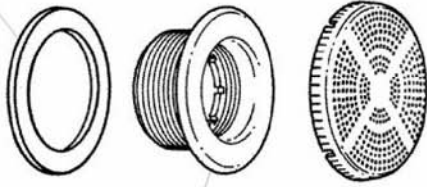


ITT Industries
Engineered for life

Suctions / Drains components

Slimline Fitting / Gasket / Cover

30-3804 Gasket

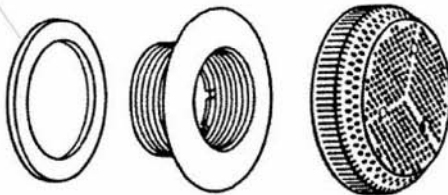


30-6908 Fitting (shown)
30-6903 Extended Fitting

- 10-6906 White ABS
- 10-6906-36 Grey ABS
- 20-6906-11 Chromeplated ABS
- 10-6906-1 Chromeplated brass
- 10-6906-5 Stainless steel

High Volume Fitting / Gasket / Cover

30-3804 Gasket



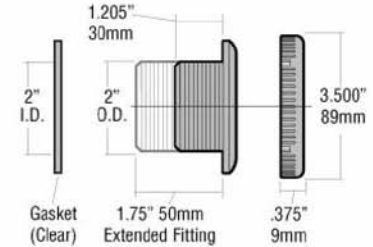
30-3801 Fitting (shown)
30-3803 Extended Fitting

- 10-6806 White ABS
- 10-6806-36 Grey ABS
- 10-6806-1 Chromeplated brass
- 10-6806-5 Stainless steel

SPECIFICATIONS:

Material Fittings: White ABS

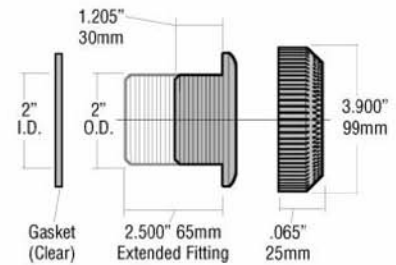
Material Covers: ABS, chromeplated brass, stainless steel



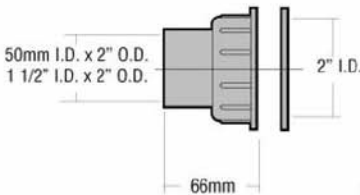
SPECIFICATIONS:

Material Fittings: White ABS

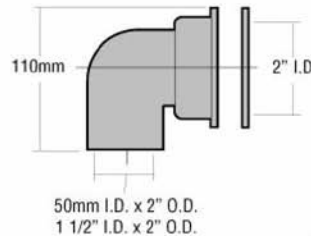
Material Covers: ABS, Chromeplated brass, Stainless steel



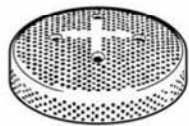
Suction / Main Drain components • Gaskets • Reducers



30-6104 Straight suction nut
50mm I.D. x 2" I.D.
30-6104IMP 1 1/2" I.D. x 2" I.D.



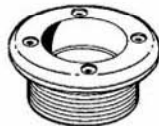
30-6103 90° Suction nut
50mm I.D. x 2" I.D.
30-6103IMP 1 1/2" I.D. x 2" I.D.



10-6011 Main drain cover
White ABS
(screws included)



10-6010 Drain nut
White ABS
Use with drains 10-620x



10-6015S S+S Fitting
White ABS
72mm O.D.



20-0871 Flexible tube
7mm I.D. 11mm O.D.
50m. (clear PVC)



20-0705 Reducer
32mm I.D. x 1" O.D.
White ABS



10-6003 Gasket 2" I.D.
Use with drains 10-620x



33-6350 Reducer
50mm I.D./2" O.D. (x2)
x 63mm I.D.
White ABS

10-2204AA Gasket 1/2" I.D.
Use with drains 10-2294IMP-
(-) and 10-2296IMP-(-)

ALL DIMENSIONS SUBJECT TO 1/4" TOLERANCES*

NESPA ENTERPRISES INC.

2800 Richter Ave. Suite C Oroville, CA 95966

Office: (530) 534-9910

Fax: (530) 534-9915

E-Mail: sales@tiledspas.com Web Site: www.tiledspas.com



DWG NAME

BELFAST YMCA

DWG TYPE

(G) Inlet Fittings

SCALE N/A

DATE 7/9/2008

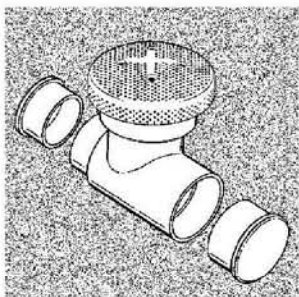
SHEET PAGE 6 OF 9

Approved

Oct 16, 2008 - 12:42pm

Main Drain / Gravity Drain Assemblies

Main Drain Assemblies

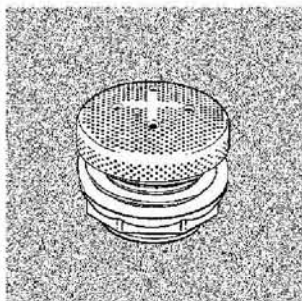


10-6200

Main Drain Assembly

- 10-6200 White ABS cover*
- 10-6200-36 Grey ABS cover*
- 10-6200IMP White ABS cover*

* Can be used as bottom inlet in commercial spas



10-6201

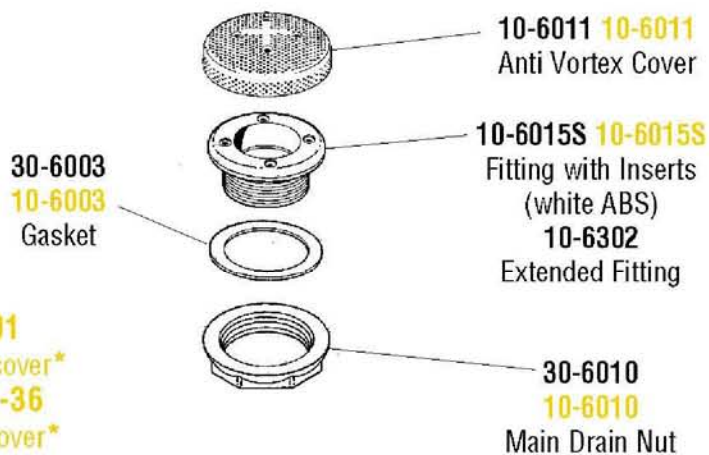
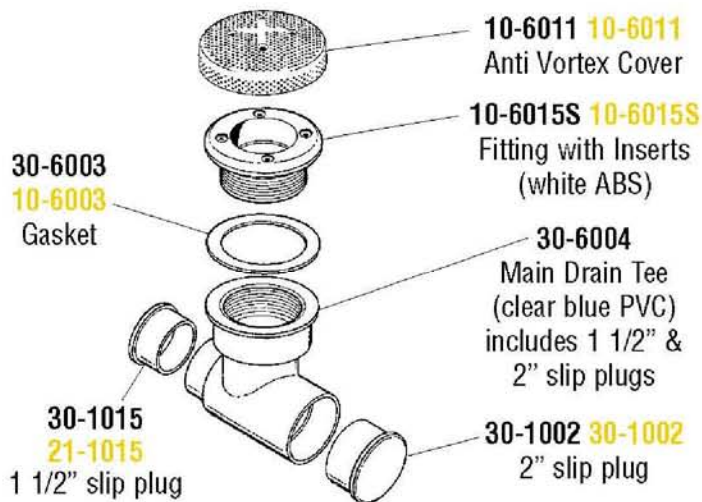
Main Drain/Lock Nut

10-6204

Main Drain Extended

- 10-6201**
White ABS cover*
- 10-6201-36**
Grey ABS cover*

* Can be used as bottom inlet in commercial spas



SPECIFICATIONS:

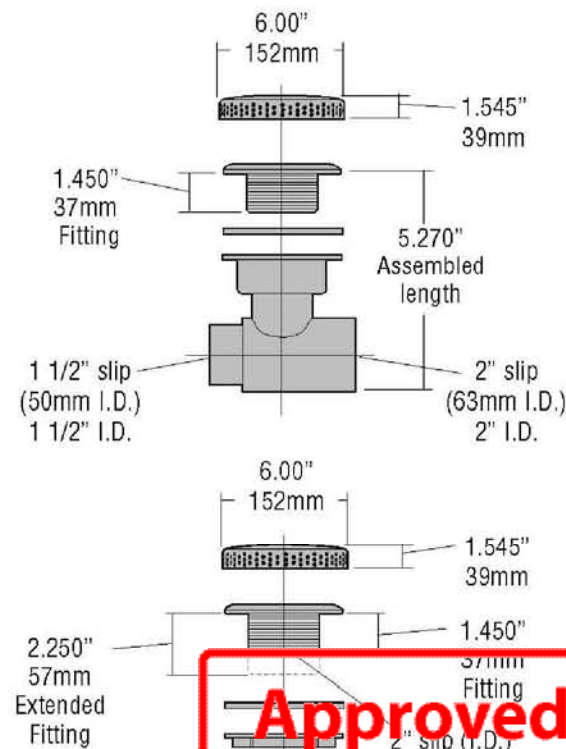
Maximum Listed Flow Rate: 188 GPM
42.7m³/h

Hole Size: 2 7/8"

Open Area: 12 57/64 sq. in.

Socket Size: 10-6200: 1 1/2" x 2' slip Tee
10-6201: 2" slip
Cover screws (4) 30-6209

Material: Body PVC, cover ABS



Approved

Oct 16, 2008 - 12:42pm

ALL DIMENSIONS SUBJECT TO 1/4" TOLERANCES

These drawings, concepts, and details contained herein are the original proprietary designs of NESPA ENTERPRISES, developed over many years of experience in the pool and spa industry and as such are protected by the copyright laws of the United States Government. Reproduction of any of the above without written permission to do so by NESPA ENTERPRISES, is illegal.

NESPA ENTERPRISES INC.

2800 Richter Ave. Ste. C Oroville, CA 95966

Office: (530) 534-9910

Fax: (530) 534-9915

E-Mail: sales@tiledspas.com Web Site: www.tiledspas.com



SIZE
A

DWG NAME

BELFAST YMCA

DWG TYPE

(H) Suction

SCALE

N/A

DATE

7/8/2008

SHEET

PAGE 7 OF 9



HIGH FLOW SAFETY DRAIN



Paramount Pool & Spa Systems' new SDX High Flow Safety Drain™ boasts a flow rate of 200gpm compatible with pumps up to 3hp. Installed with at least 2 SDX drains teed together to comply with split suction codes, SDX serves as a wall drain and also as a floor drain if debris removal is not a concern. SDX is available in eight colors for Concrete, Vinyl, and One-Piece pools.

For more information, call Paramount Pool & Spa Systems at 1.800.621.5886 or contact your local sales representative.

FEATURES AND BENEFITS

Available for concrete, vinyl and fiberglass pools and spas

High Flow Rating for use with large HP or even multiple pumps:

- Two-SDX drains - 200 GPM systems
Three-SDX drains - 300 GPM systems
Four-SDX drains - 400 GPM systems

Each SDX drain protects against hair and body entrapment

- Patent-pending ribs achieve high flow with sixty little drains
Dome shape to prevent a seal with a swimmer
Anti-vortex shield to block contact with direct-suction

Missing cover security complies with next generation safety standards

- Stainless steel security screws
Secondary support plate secured to protect the sump and fittings

Exceeds anti-entrapment requirements of:

- ASME/ANSI A112.19.8M-1987 ~ Tested and Listed by IAPMO, a nationally recognized testing laboratory (NRTL) accredited by ANSI
Uniform Swimming Pool, Spa and Hot Tub Code™
International Residential Code, Section AG106.2 ~ Suction Fittings

Included with the MDX Debris Removal System™ as a second point of suction

Available in eight colors to blend with any surface



Approved
Oct 16, 2008 - 12:42pm

ALL DIMENSIONS SUBJECT TO 1/4" TOLERANCES

NESPA ENTERPRISES INC.
2800 Richter Ave. Suite C Oroville, CA 95966
Office: (530) 534-9910 Fax: (530) 534-9915
E-Mail: sales@tiledspas.com Web Site: www.tiledspas.com



Table with DWG NAME: BELFAST YMCA, DWG TYPE: (K) Suction (2), SCALE: N/A, DATE: 7/9/2008, SHEET: PAGE 8 OF 9

These drawings, concepts, and details contained herein are the original proprietary designs of NESPA ENTERPRISES, developed over many years of experience in the pool and spa industry and as such are protected by the copyright laws of the United States Government. Reproduction of any of the above without written permission to do so by NESPA ENTERPRISES, is illegal.

COMMERCIAL / RESIDENTIAL / PUBLIC

Approved To The NEW "2007" Standard

Description:



10" Low Profile Anti-Vortex Cover, Frame.
(V.G.B. Series)

Part#:



- 10AV101 White 10"
- 10AV102 Black 10"
- 10AV103 Lt. Gray 10"
- 10AV104 Blue 10"
- 10AV105 Dk. Gray 10"
- 10AV106 Bone 10"
- 10AV107 Taupe 10"
- 10AV108 Tan 10"

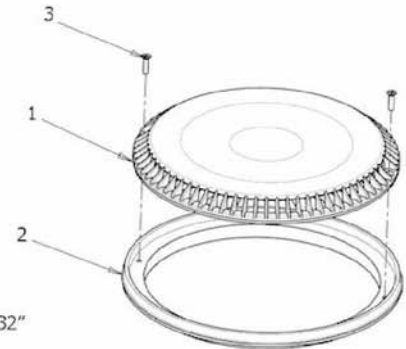
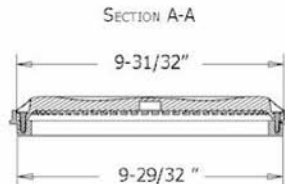
NOTE: Check With Your Respective Health / Safety Official For Approved Colors



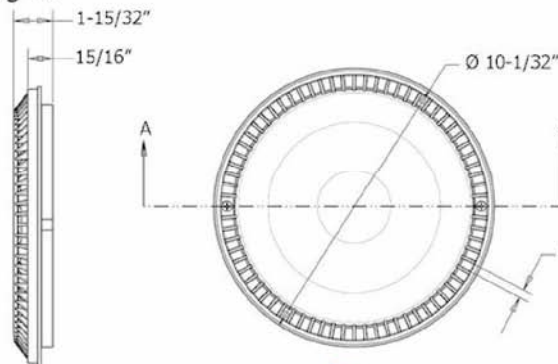
Features:



- Meets Or Exceeds Current ASME/ANSI A112.19.8 2007 National Standards
- Patent Pending Design
- N.R.T.L (IAPMO) Anti-Entrapment Approved Max Flow Rate; Floor = 206GPM, Wall = 96GPM
- @6.0 f.p.s., Max Flow = 210GPM
- Available in 8 colors
- Manufactured From Super Strong UV Resistant ABS
- #316 Stainless Steel Approved Screws
- 11.2 sq. in. Opening
- USPC Listed
- Re Field Fabricated Sumps: Unless Otherwise Specified by Manufacturer or Local Safety, Health Inspector, Keep Top End of Suction Pipe at Least 1.5x The Inside Pipe Diameter From Top Of Suction Cover



1. 10" Anti Vortex Cover
2. 10" Anti Vortex Frame
3. #10 Flat Head Screw, Stainless Steel, QTY 2



Case Amount:



25 Per Case

REV:080104



Email: info@aquastarpoolproducts.com
Toll Free Phone: (877)768-2717
Fax: (877)276-PC
www.AquaStarPoolProducts.com



ALL DIMENSIONS SUBJECT TO 1/4" TOLERANCES

NESPA ENTERPRISES INC.
2800 Richter Ave. Suite C Oroville, CA 95966
Office: (530) 534-9910 Fax: (530) 534-9915
E-Mail: sales@tiledspas.com Web Site: www.tiledspas.com



| | | | | |
|----------|--------------|------|----------|----------------|
| DWG NAME | BELFAST YMCA | | DWG TYPE | (M) Main Drain |
| SCALE | N/A | DATE | 7/9/2008 | SHEET |
| | | | PAGE | 9 OF 9 |