



NESPA
TILED SPAS

Production Booklet

for

BERKELEY SPORTS CLUB SPA

2800 Richter Ave. Suite C, Oroville, CA 95965 • **voice:** (530)534-9910
fax: (530)534-9915 • **email:** sales@tiledspas.com • **website:** www.tiledspas.com



RECOMMENDED MAINTENANCE

Please Note:

These are only recommended guidelines to care for a Nespa all tiled spa. Local codes may require additional procedures, therefore consult with a pool professional that is LA county Health Department certified for more information on local codes and requirements.

SPA SURFACE

Your spa tile is acid resistant and frost-proof. The Tile does not absorb germs or algae. Tile does not stain and is very easy to clean. Color does not fade or lose its luster. All grouts are epoxy based and are extremely durable. To remove scum line use soft nylon brush and small amounts of biodegradable soaps. Do not use abrasive brushes or chemicals.

MAINTENANCE

A. CHEMICALS:

- 1) It is important to maintain a chlorine residual of 2 PPM in the spa. That residual can be provided by chlorine or bromine.
- 2) It is recommended to use Bromine or dichlor (granular) forms of chlorine. If bromine Tabs are used we suggest floating or inline dispenser.
- 3) Never use acid to lower Ph in the tile spa.
- 4) Never use trichlor chlorine (1" or 3") tablets in the Nespa spas.
- 5) Never place tablets in skimmer basket.

B. DRAINING THE SPA:

- 1) It is recommended to drain the spa at least once every 2 months depending on bath load and water clarity.
- 2) The spa should be drained through valve exiting re-circulation pump in the spa equipment room or sump pump.
- 3) Note: Use caution to drain spa in the winter months or rainy season when water table is at its highest. It is possible for the spa to float due to hydraulic pressure from surrounding water table. We advise that you consult with your local spa specialist prior to draining the spa.

C. SPA EQUIPMENT:

- 1) Clean filter cartridge at least once every month, or when needed; i.e., if water clarity does not improve after several days.
- 2) Keep area free and clear from leaves and debris build-up.
- 3) Keep area free and clear from flooding.

D. SPA LIGHT:


- 1) Spa light has to be on GFCI circuit. It is controlled at spa side with ON/OFF.

E. TILE SERVICING:

- 1) Contact manufacture when servicing tile or grout. @ (530) 534-9910

| SPECIFICATIONS | |
|-----------------------------|--------------|
| SHELL WEIGHT: | 2850 LBS. |
| WATER WEIGHT: | 11225 LBS. |
| TOTAL SHELL & WATER WEIGHT: | 14074.9 LBS. |
| WATER VOLUME: | 180 Cu.Ft. |
| (AS DRAWN) WATER GALLONS: | 1346 GAL. |
| SURFACE AREA: | 89.4 SQ. FT. |
| ICC ES LISTED #: | PMG-1161 |

NESPA ENTERPRISES, Inc.





ICC ES Listed
PMG-1161


WATERPROOF SKID SUPPORT STRUCTURE ATTACHED TO SPA AT NESPA FACTORY
  SKIDS SUPPLIED BY NESPA


LIGHT NICHE
 LIGHT NICHE (FOR UNDERWATER LIGHT) W/ 1" HUB


SPA LIGHT
 IntelliBrite 5g White LED Spa Light
120 V, U.L. Approved

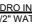
MAIN DRAIN
 AquaStar 50CDLFR, 32" Channel Drain, Approved Max Flow Rate: Floor = 236 GPM @ 3.4 fps / Wall = 136 GPM @ 1.9 fps
Complies w/ ANSI / ASME A112.19.8 & NSF / ANSI 16-2011

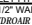
MAIN DRAIN SUMP
 Nespa Aquastar Approved Sump IAPMO Approval # SP4900

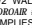
SIDEWALL SUCTION
 Paramount SDX 10" HIGH FLOW SAFETY DRAIN
Area of Opening = 49.201 in²
Floor = 200 GPM @ 1.485 fps
Wall = 192 GPM @ 1.426 fps
V.G.B Approved Safety Drain


EQUALIZER
 3" Round Hobday Puck AquaStar 6HPHxxx Sumpless Suction Outlet
Floor 177 GPM
Wall 122 GPM
Complies w/ ANSI / ASME A112.19.8 & NSF / ANSI 16-2011

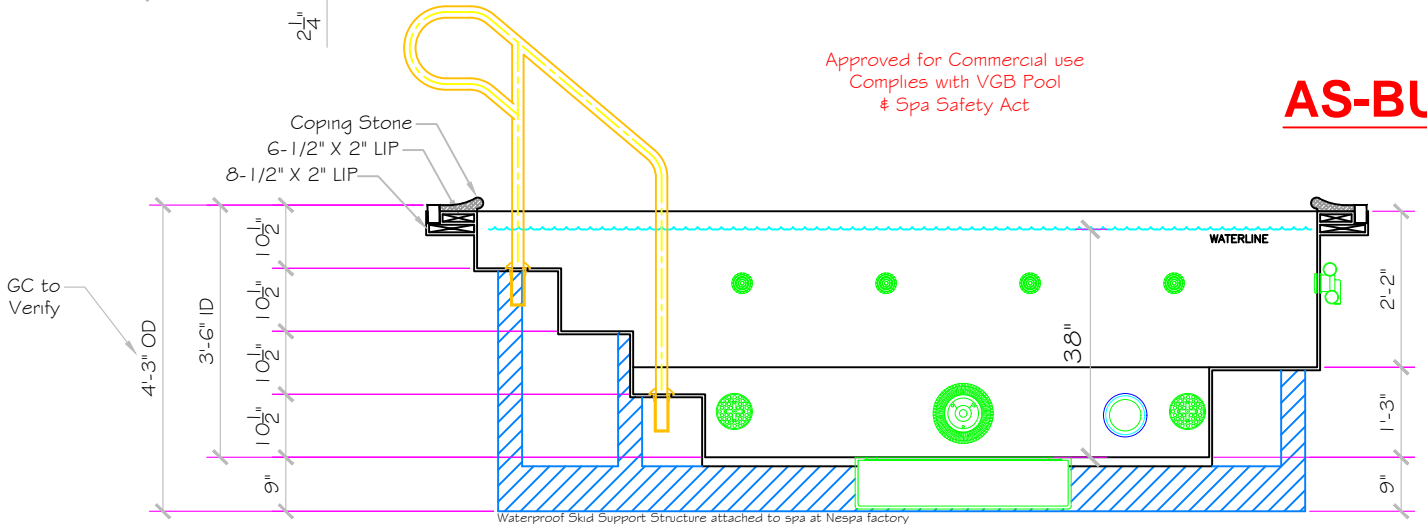
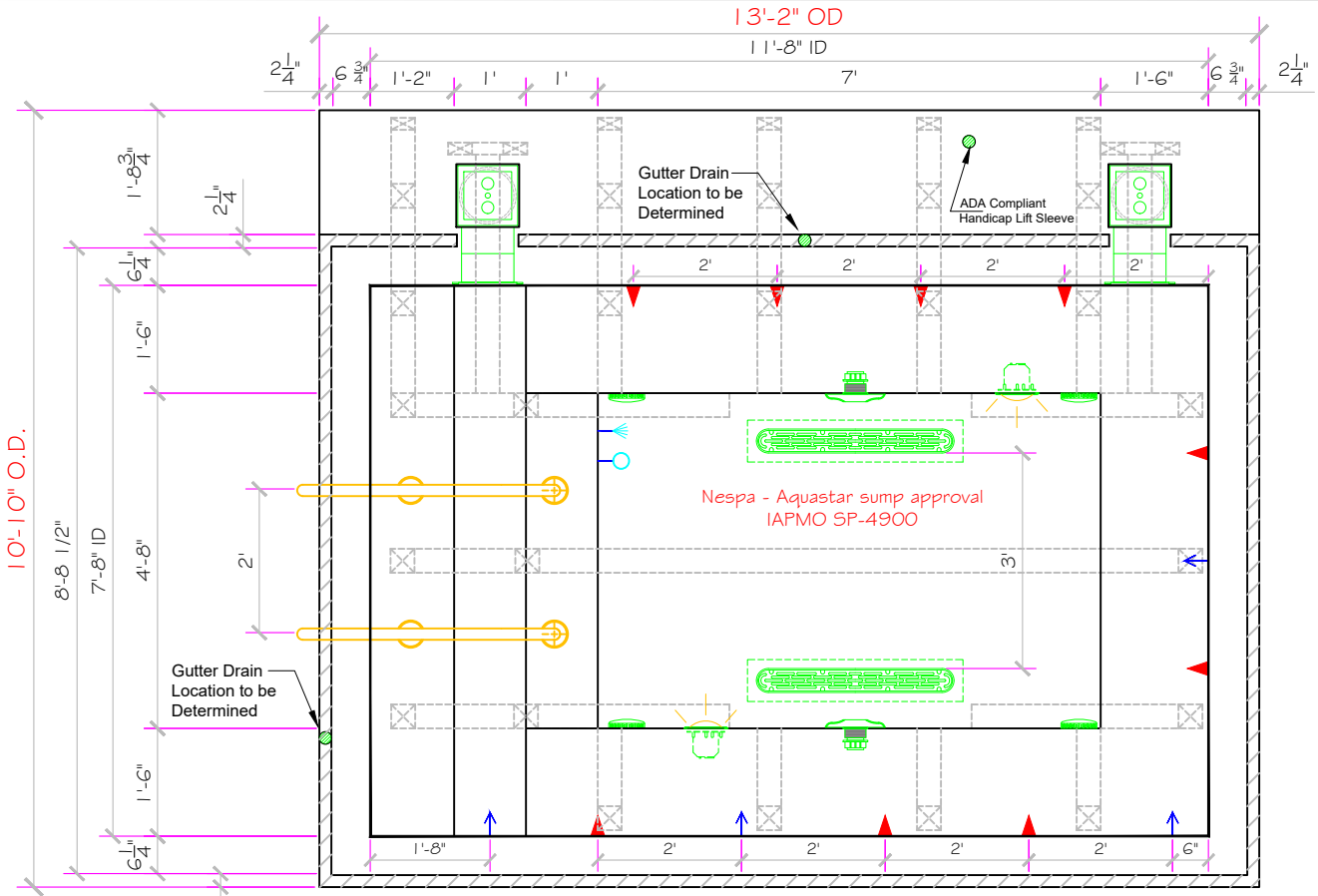
SKIMMER
 HAYWARD SP-1084FVE SURFACE SKIMMER W/ EQUALIZERS, NSF / ANSI 50 - 2012

JET
 **HYDRO INLETS**
1-1/2" WATER - 1-1/2" AIR
HYDROAIR #10-5100
COMPLIES W/ ANSI CODE ASME A112.19.8-07 UL APPROVED

RETURN
 **INLET FITTINGS**
1-1/2" WALL TYPE W/ EYEBALL
HYDROAIR #10-3500
COMPLIES W/ ANSI CODE ASME A112.19.8-07 UL APPROVED

FILL
 **INLET FITTINGS**
1-1/2" WALL TYPE W/ EYEBALL
HYDROAIR #10-3500
COMPLIES W/ ANSI CODE ASME A112.19.8-07 UL APPROVED

STILLING
 **INLET FITTINGS**
1-1/2" WALL TYPE W/ EYEBALL
HYDROAIR #10-3500
COMPLIES W/ ANSI CODE ASME A112.19.8-07 UL APPROVED



Approved for Commercial use
Complies with VGB Pool
& Spa Safety Act

AS-BUILT

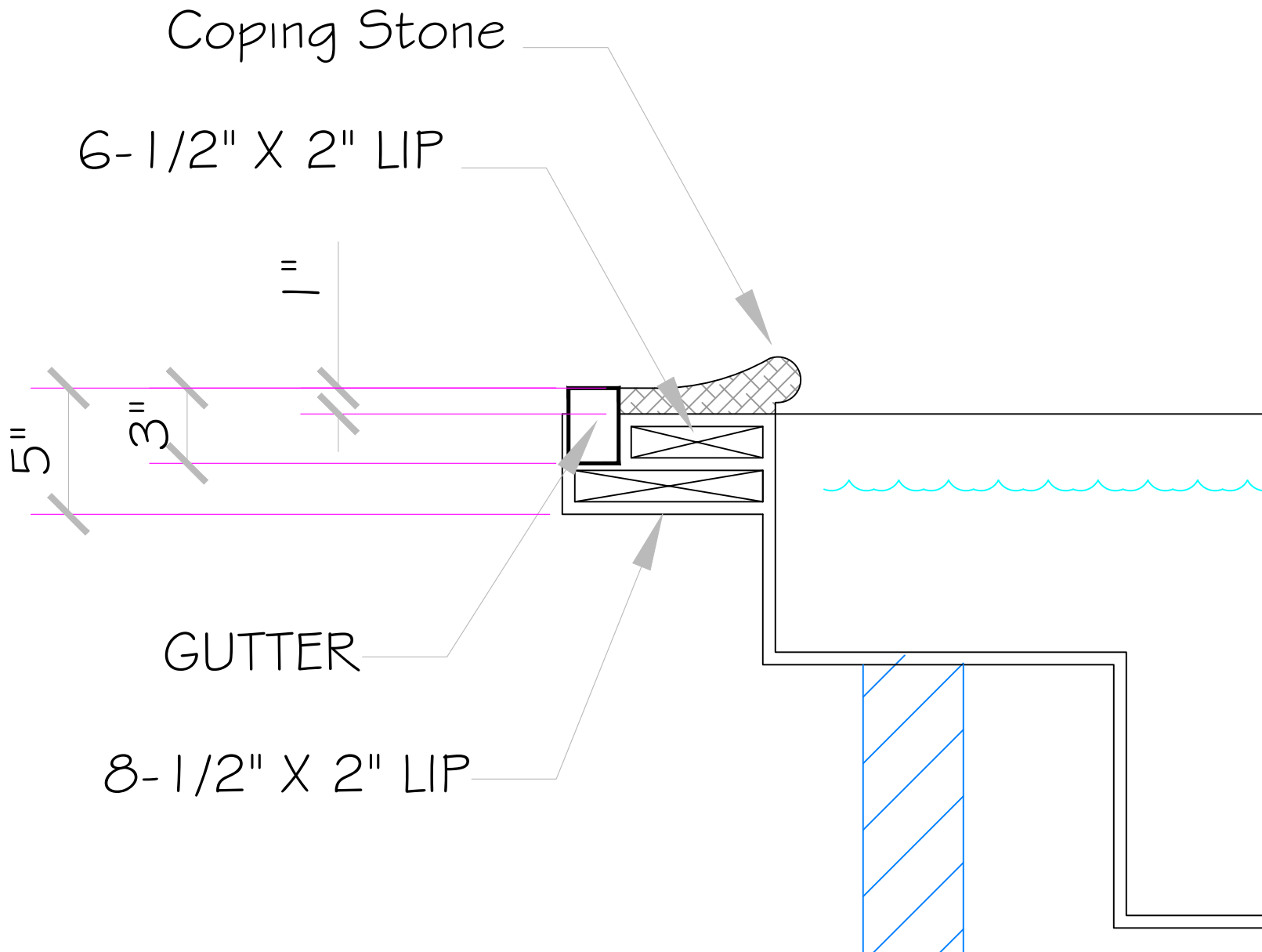
These are Submittals, not Design Drawings.
Structural spa content by **NESPA ENTERPRISES INC.**
Concepts & Layout by owner.

NESPA ENTERPRISES INC.
2800 Richter Ave. Ste. C Oroville, CA 95966
Office: (530) 534-9910 Fax: (530) 534-9915
E-Mail: jim@tiledspas.com Web Site: www.tiledspas.com



| | |
|----------|----------------------|
| SCALE | 3/8" = 1' |
| DWG NAME | BERKELEY SPORTS CLUB |
| DATE | 5/27/2016 |

| | |
|----------|-------------|
| DWG TYPE | SD Womens |
| SHEET | PAGE 1 OF 7 |



APPROVED

These are Submittals, not Design Drawings.
Structural spa content by **NESPA ENTERPRISES INC.**
Concepts & Layout by owner.

NESPA ENTERPRISES INC.
2800 Richter Ave. Ste. C Oroville, CA 95966
Office: (530) 534-9910 Fax: (530) 534-9915
E-Mail: jim@tiledspas.com Web Site: www.tiledspas.com



SCALE 2" = 1'

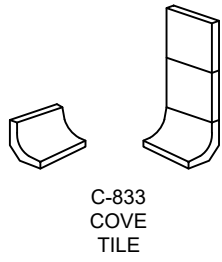
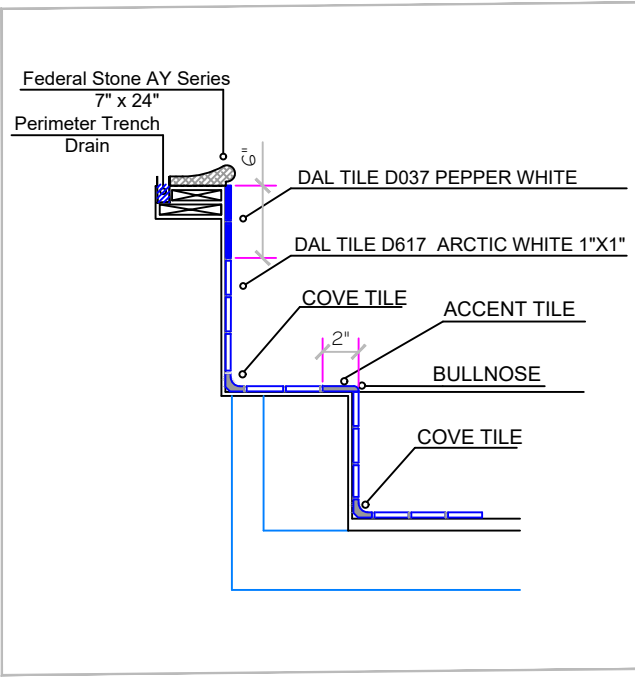
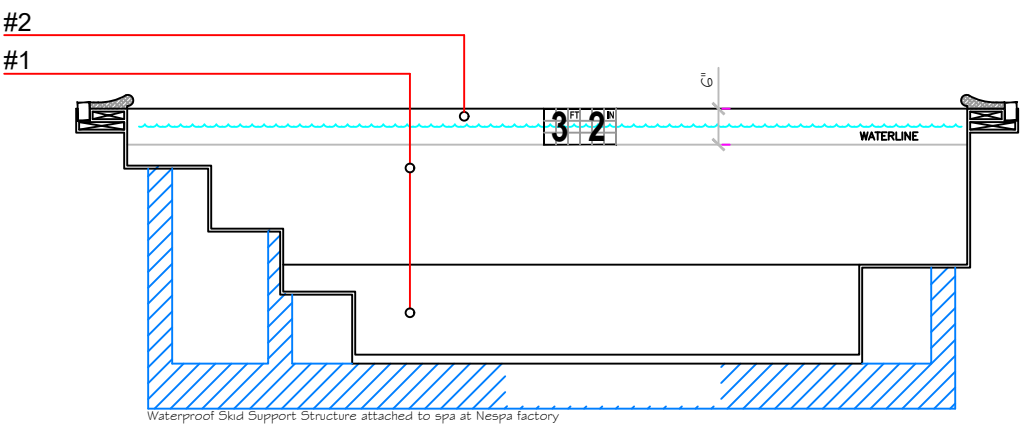
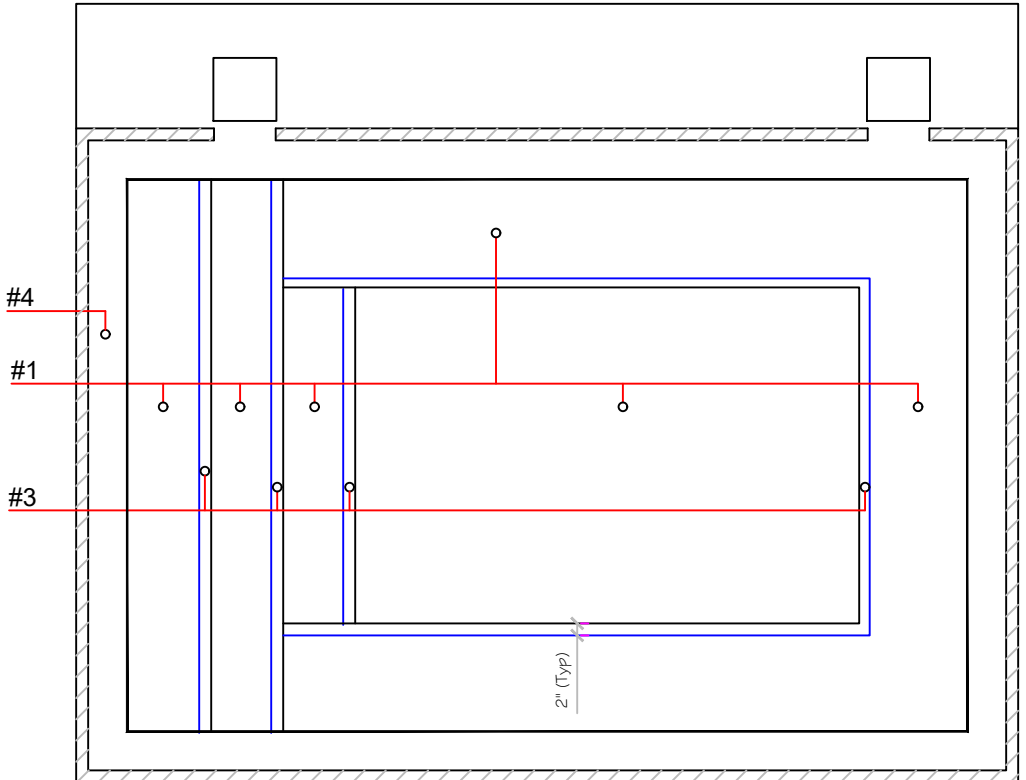
DWG NAME BERKELEY SPORTS CLUB

DATE 2/5/2016

DWG TYPE Lip Detail Womens
SHEET PAGE 2 OF 7

- #1 - FIELD TILE: DAL TILE D617 ARCTIC WHITE 1" X 1"
- #2 - WATERLINE (optional): DAL TILE D037 PEPPER WHITE
- #3 - BENCH & STEP EDGES (optional): DAL TILE D023 GALAXY 1" X 1"
- #4 - COPING: Federal Stone AY Series - 7" x 24"

Date: _____
 Approval: _____



APPROVED

ALL DIMENSIONS SUBJECT TO 1/4" TOLERANCES

These are Submittals, not Design Drawings.
 Structural spa content by **NESPA ENTERPRISES INC.**
 Concepts & Layout by owner.

NESPA ENTERPRISES INC.
 2800 Richter Ave. Ste. C Oroville, CA 95966
 Office: (530) 534-9910 Fax: (530) 534-9915
 E-Mail: jim@tiledspas.com Web Site: www.tiledspas.com

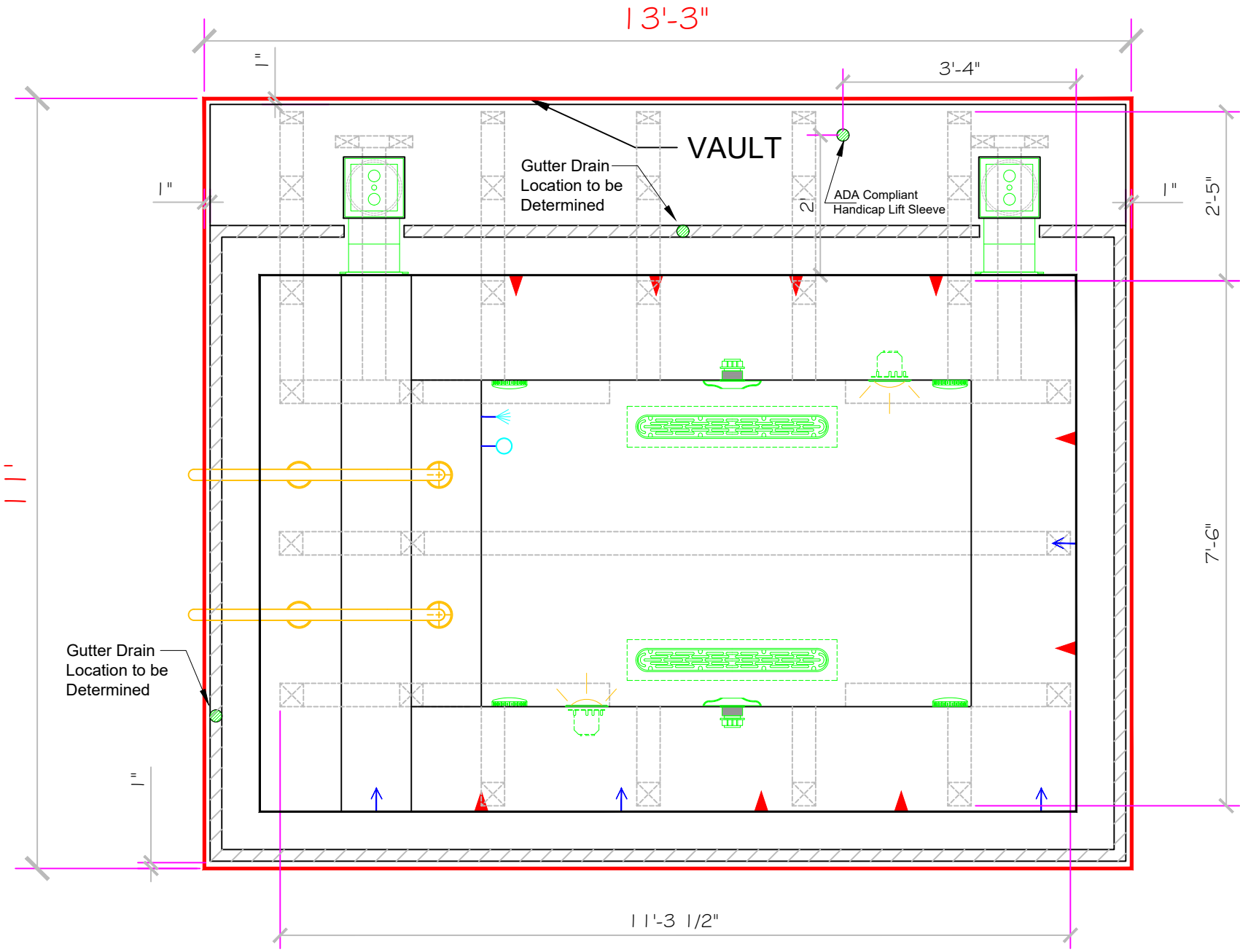


SCALE 3/8" = 1'

DWG NAME BERKELEY SPORTS CLUB

DATE 2/5/2016

DWG TYPE Womens Tile
 SHEET PAGE 3 OF 7



APPROVED

ALL DIMENSIONS SUBJECT TO 1/4" TOLERANCES

These are Submittals, not Design Drawings.
Structural spa content by **NESPA ENTERPRISES INC.**,
Concepts & Layout by owner.

NESPA ENTERPRISES INC.

2800 Richter Ave. Ste. C Oroville, CA 95966

Office: (530) 534-9910

Fax: (530) 534-9915

E-Mail: jim@tiledspas.com Web Site: www.tiledspas.com



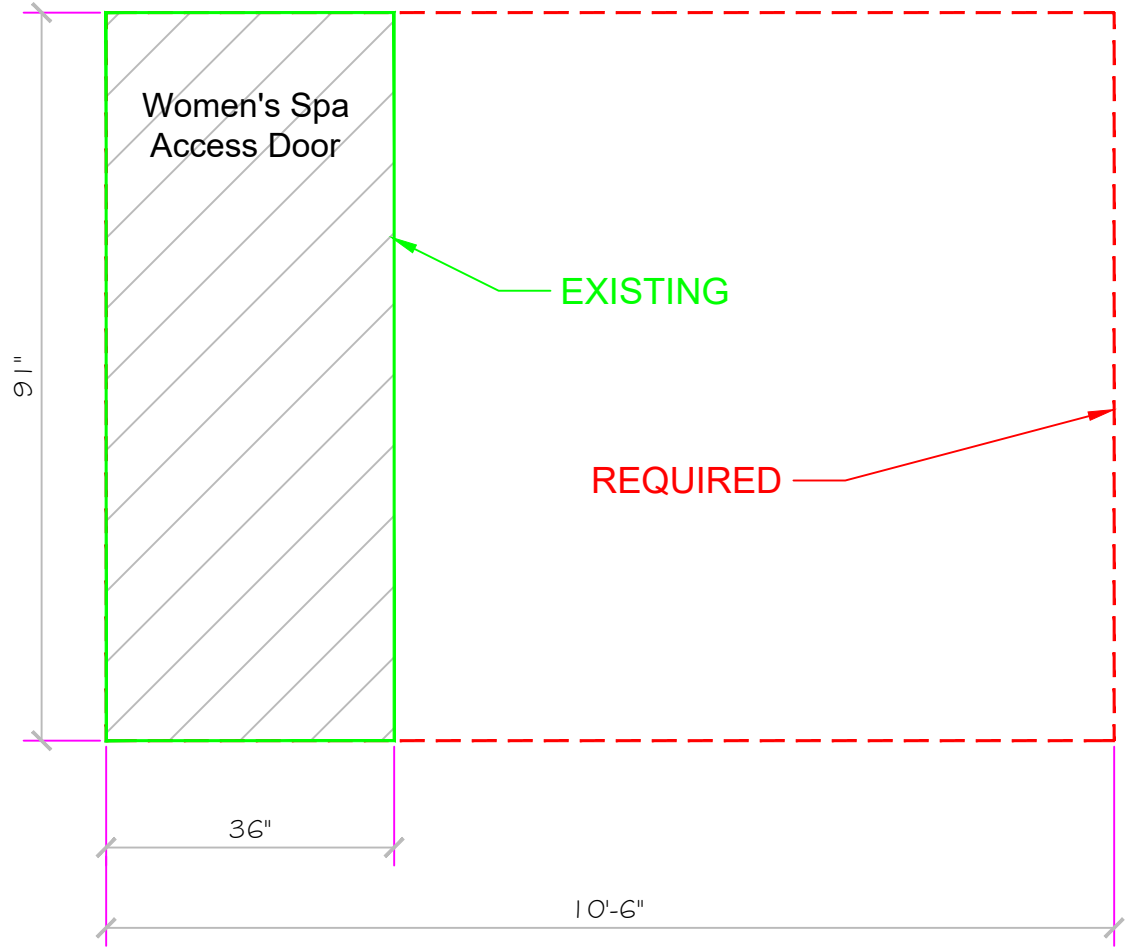
SCALE 1/2" = 1'

DWG NAME BERKELEY SPORTS CLUB

DATE 2/5/2016

DWG TYPE Womens Layout

SHEET PAGE 4 OF 7



These are Submittals, not Design Drawings.
 Structural spa content by **NESPA ENTERPRISES INC.**
 Concepts & Layout by owner.

NESPA ENTERPRISES INC.
 2800 Richter Ave. Ste. C Oroville, CA 95966
 Office: (530) 534-9910 Fax: (530) 534-9915
 E-Mail: jim@tiledspas.com Web Site: www.tiledspas.com



SCALE 1/2" = 1'

DWG TYPE
 SD Womens Access

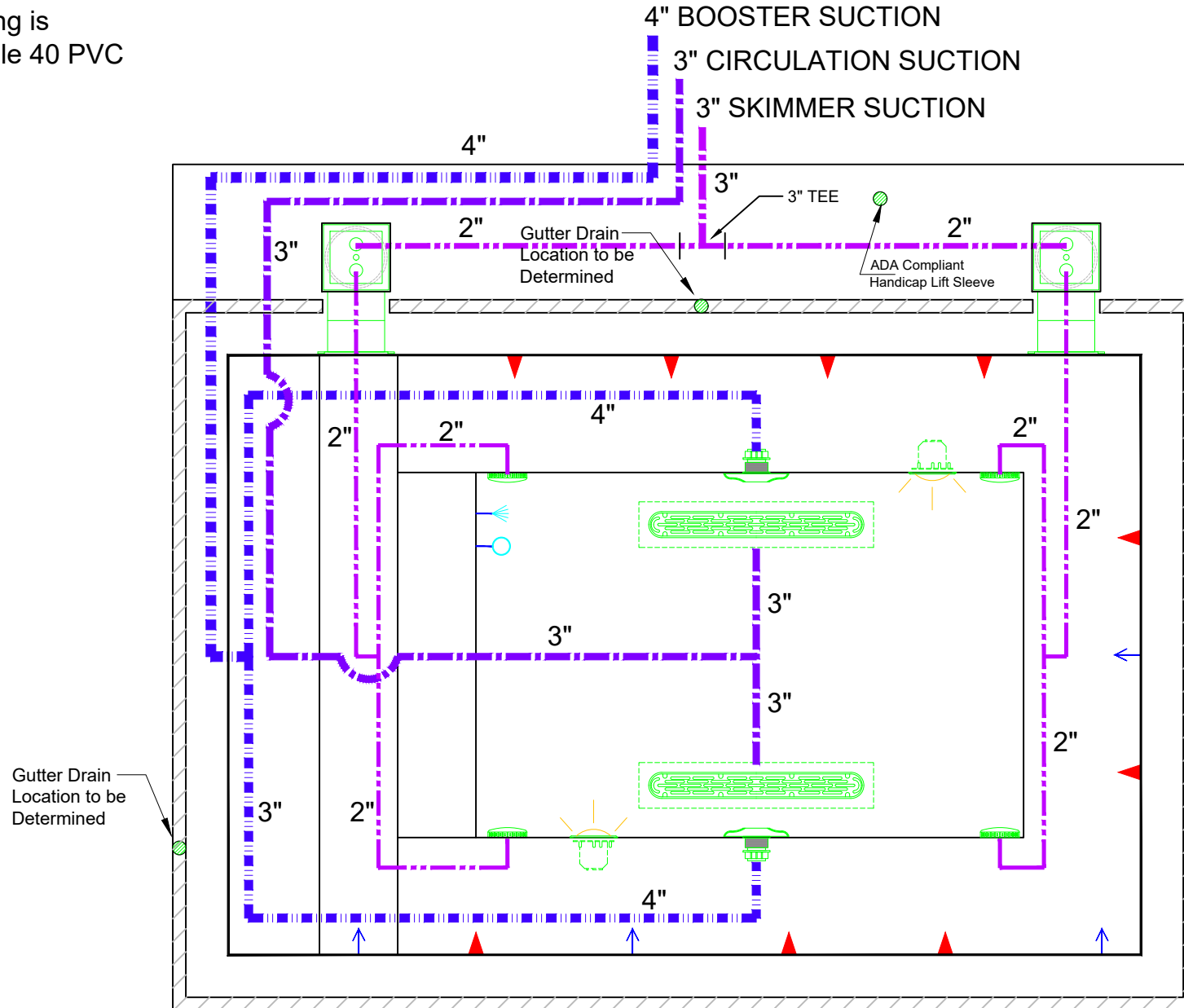
DWG NAME BERKELEY SPORTS CLUB

DATE 2/4/2016

SHEET PAGE 5 OF 7

NOTE:

All Piping is
Schedule 40 PVC



APPROVED

ALL DIMENSIONS SUBJECT TO 1/4" TOLERANCES

These are Submittals, not Design Drawings.
Structural spa content by **NESPA ENTERPRISES INC.**,
Concepts & Layout by owner.

NESPA ENTERPRISES INC.
2800 Richter Ave. Ste. C Oroville, CA 95966
Office: (530) 534-9910 Fax: (530) 534-9915
E-Mail: jim@tiledspas.com Web Site: www.tiledspas.com



SCALE 1/2" = 1'

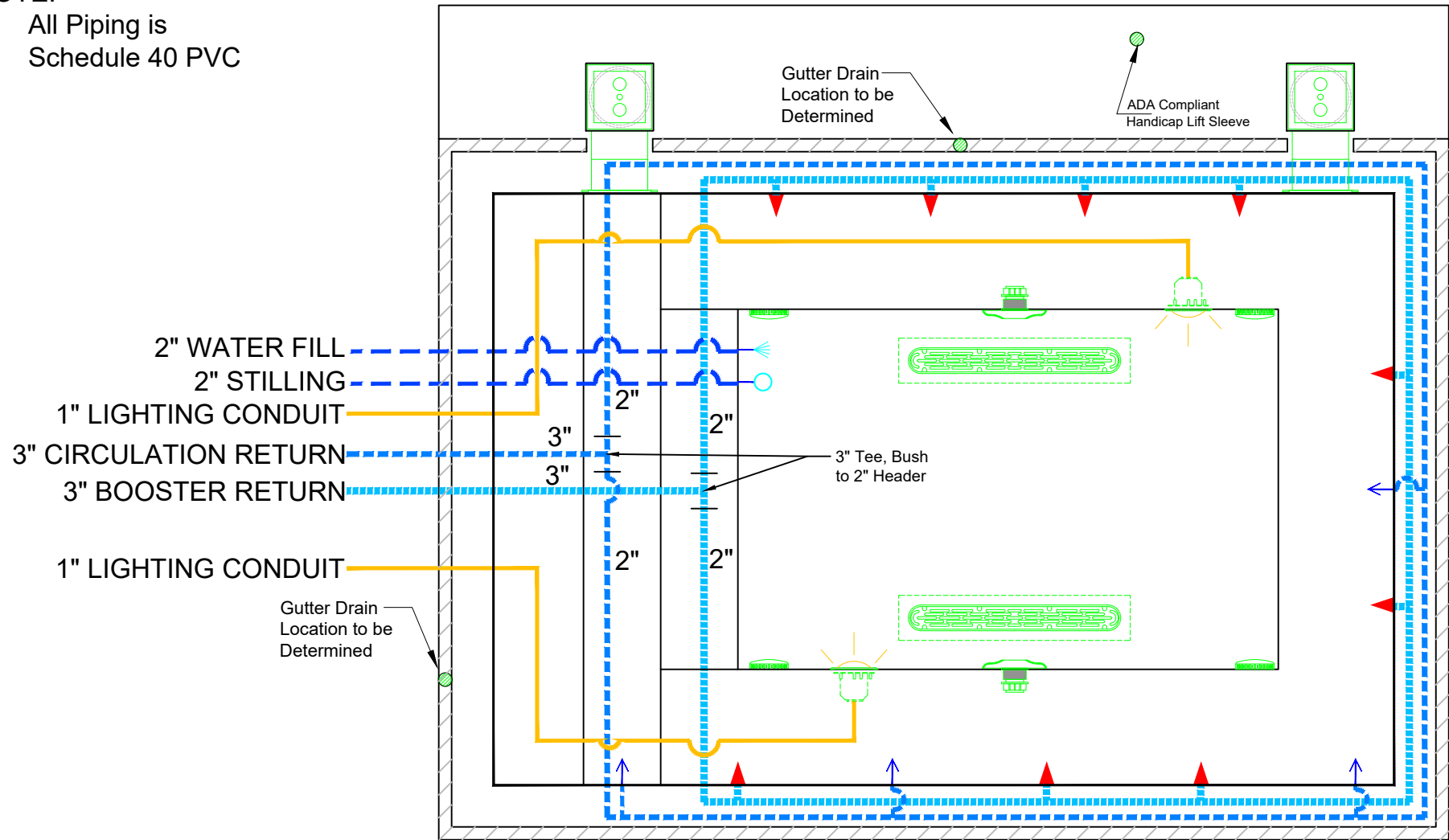
DWG NAME BERKELEY SPORTS CLUB

DATE 2/5/2016

DWG TYPE
W Suction Plumbing

SHEET
PAGE 6 OF 7

NOTE:
 All Piping is
 Schedule 40 PVC



APPROVED

ALL DIMENSIONS SUBJECT TO 1/4" TOLERANCES

These are Submittals, not Design Drawings.
 Structural spa content by **NESPA ENTERPRISES INC.**,
 Concepts & Layout by owner.

NESPA ENTERPRISES INC.
 2800 Richter Ave. Ste. C Oroville, CA 95966
 Office: (530) 534-9910 Fax: (530) 534-9915
 E-Mail: jim@tiledspas.com Web Site: www.tiledspas.com



SCALE 1/2" = 1'

DWG NAME BERKELEY SPORTS CLUB

DATE 2/5/2016

DWG TYPE W Return Plumbing

SHEET PAGE 7 OF 7

SPECIFICATIONS

| | |
|-----------------------------|--------------|
| SHELL WEIGHT: | 2700 LBS. |
| WATER WEIGHT: | 10913 LBS. |
| TOTAL SHELL & WATER WEIGHT: | 13613.1 LBS. |
| WATER VOLUME: | 175 Cu.Ft. |
| (AS DRAWN) WATER GALLONS: | 1309 GAL. |
| SURFACE AREA: | 87.5 SQ. FT. |
| ICC ES LISTED #: | PMG-1161 |

NESPA ENTERPRISES, Inc.



ICC ES Listed
PMG-1161

WATERPROOF SKID SUPPORT STRUCTURE ATTACHED TO SPA AT NESPA FACTORY
 SPA AT NESPA FACTORY "SKIDS SUPPLIED BY NESPA"

LIGHT NICHE
 LIGHT NICHE (FOR UNDERWATER LIGHT) W/ 1" HUB

SPA LIGHT
 IntelliBrite 5g White LED Spa Light
 120 V, U.L. Approved

MAIN DRAIN
 AquaStar 32CDFLR, 32" Channel Drain, Approved Max Flow Rate: Floor = 236 GPM @ 3.4 fps, Wall = 136 GPM @ 1.9 fps
 Complies w/ ANSI / ASME A112.19.8 & NSF / ANSI 16-2011

MAIN DRAIN SUMP
 Nespa Aquastar Approved Sump IAPMO Approval # SP4900

SIDEWALL SUCTION
 Paramount SDX 10" HIGH FLOW SAFETY DRAIN
 Area of Opening = 43.201 in²
 Floor = 200 GPM @ 1.485 fps
 Wall = 192 GPM @ 1.426 fps
 V.G.B Approved Safety Drain

EQUALIZER
 8" Round Hockey Puck AquaStar 6HPHxxxx
 Sumpless Suction Outter
 Floor: 177 GPM
 Wall: 122 GPM
 Complies w/ ANSI / ASME A112.19.8 & NSF / ANSI 16-2011

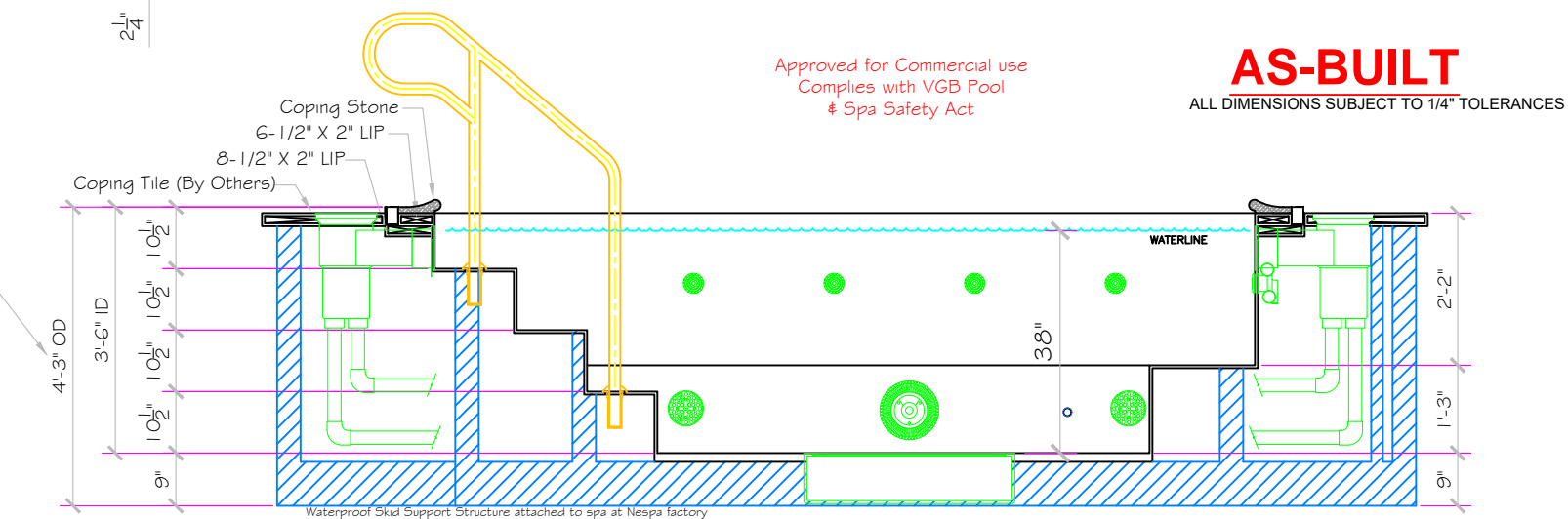
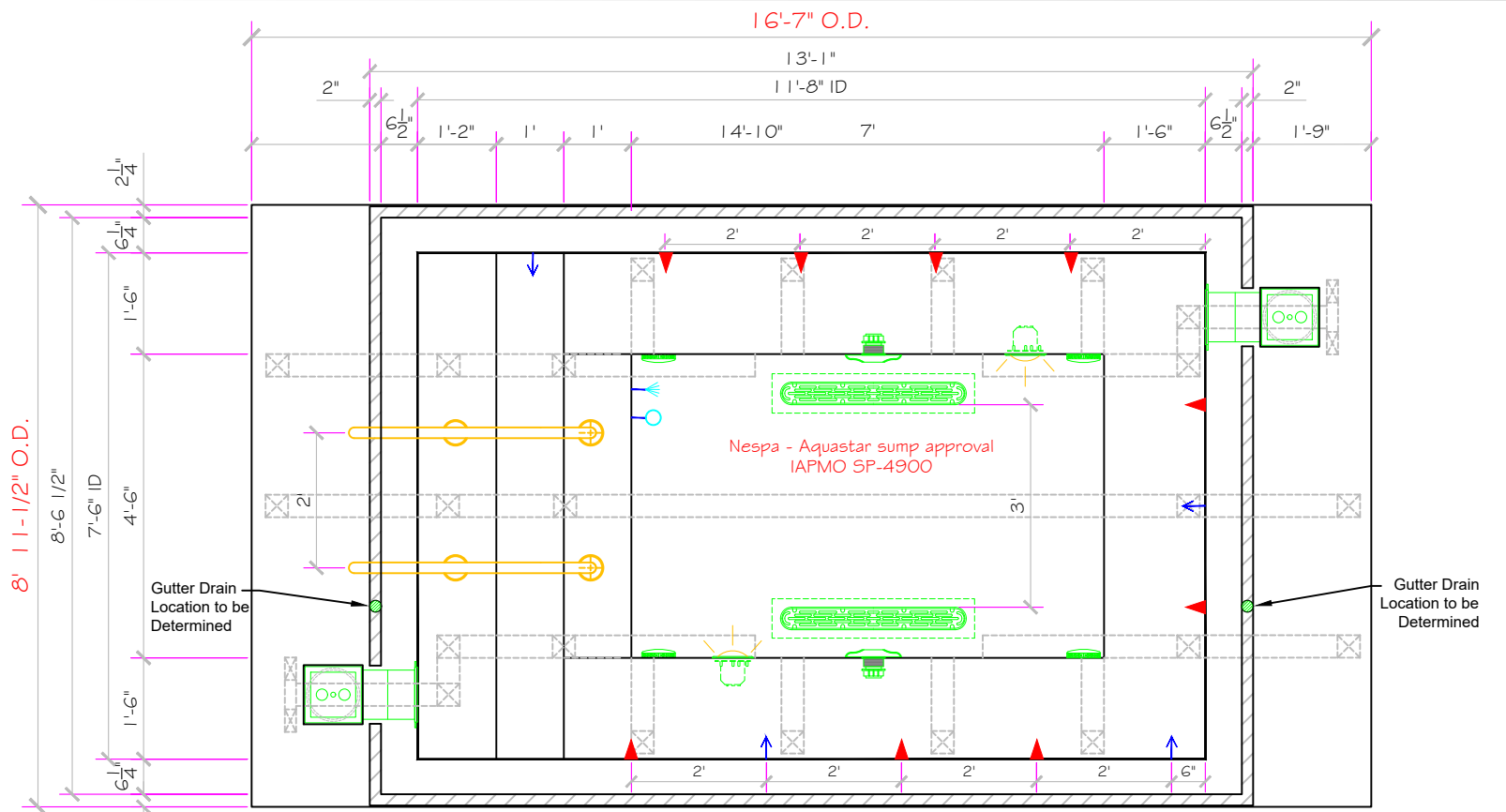
SKIMMER
 HAYWARD SP-1084FIVE SURFACE SKIMMER W/ EQUALIZERS, NSF / ANSI 50 - 2012

JET
 HYDRO INLETS
 1-1/2" WATER - 1-1/2" AIR
 HYDROAR #10-5100
 COMPLIES W/ ANSI CODE ASME A112.19.8-07 UL APPROVED

RETURN
 INLET FITTINGS
 1-1/2" WALL TYPE W/ EYEBALL
 HYDROAR #10-3500
 COMPLIES W/ ANSI CODE ASME A112.19.8-07 UL APPROVED

FILL
 INLET FITTINGS
 1-1/2" WALL TYPE W/ EYEBALL
 HYDROAR #10-3500
 COMPLIES W/ ANSI CODE ASME A112.19.8-07 UL APPROVED

STILLING
 INLET FITTINGS
 1-1/2" WALL TYPE W/ EYEBALL
 HYDROAR #10-3500
 COMPLIES W/ ANSI CODE ASME A112.19.8-07 UL APPROVED



Approved for Commercial use
 Complies with VGB Pool & Spa Safety Act

AS-BUILT
 ALL DIMENSIONS SUBJECT TO 1/4" TOLERANCES

NESPA ENTERPRISES INC.
 2800 Richter Ave. Ste. C Oroville, CA 95966
 Office: (530) 534-9910 Fax: (530) 534-9915
 E-Mail: jim@tiledspas.com Web Site: www.tiledspas.com



SCALE 3/8" = 1'

DWG NAME BERKELEY SPORTS CLUB

DATE 5/27/2016

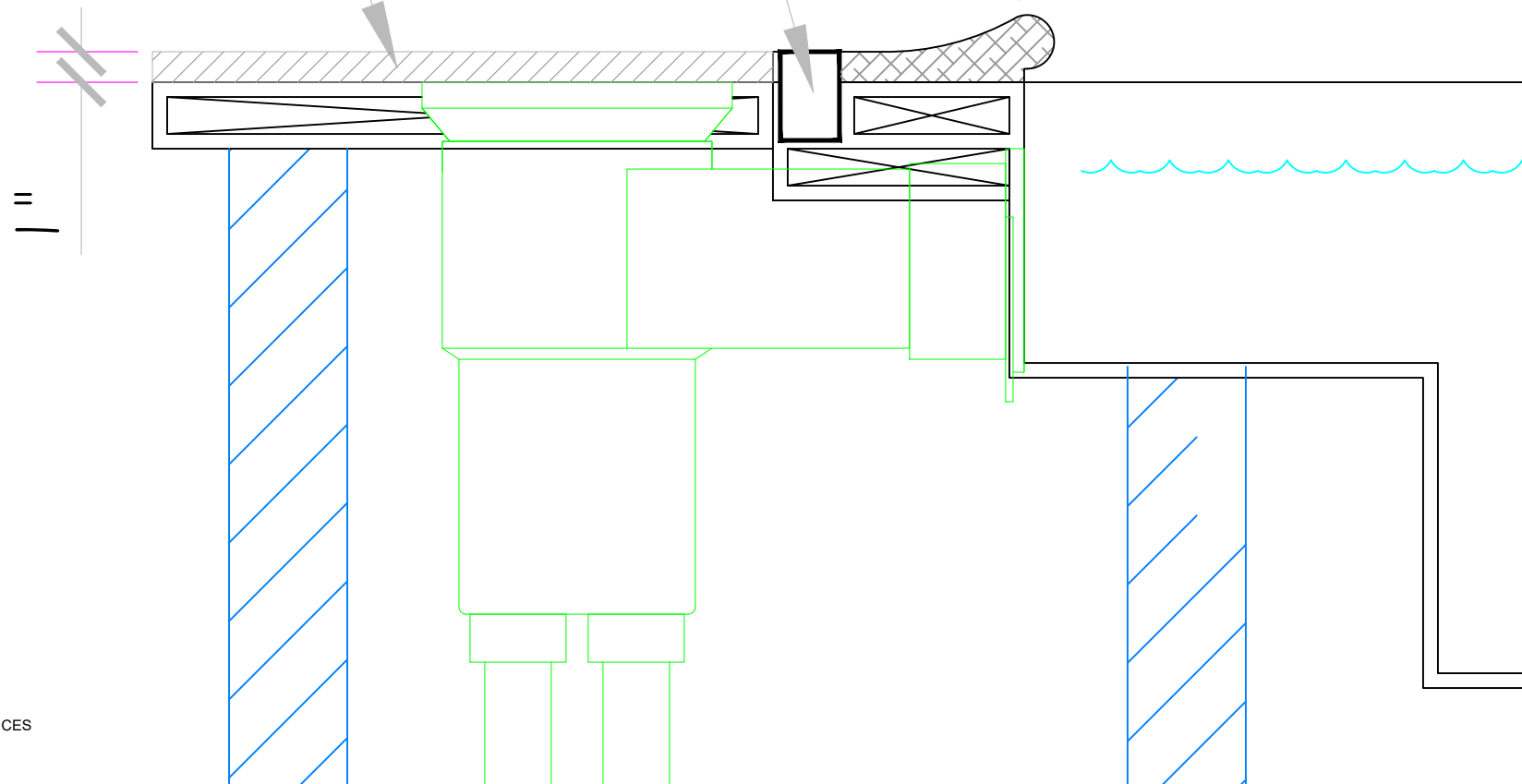
DWG TYPE SD Mens
 SHEET PAGE 1 OF 7

These are Submittals, not Design Drawings.
 Structural spa content by NESPA ENTERPRISES INC.,
 Concepts & Layout by owner.

Coping Stone

COPING TILE
(by others)

GUTTER



APPROVED

ALL DIMENSIONS SUBJECT TO 1/4" TOLERANCES

NESPA ENTERPRISES INC.
 2800 Richter Ave. Ste. C Oroville, CA 95966
 Office: (530) 534-9910 Fax: (530) 534-9915
 E-Mail: jim@tiledspas.com Web Site: www.tiledspas.com



SCALE 2" = 1'

DWG NAME BERKELEY SPORTS CLUB

DATE 2/5/2016

DWG TYPE Lip Detail Mens

SHEET PAGE 2 OF 7

- #1 - FIELD TILE: DAL TILE D617 ARCTIC WHITE 1" X 1"
- #2 - WATERLINE (optional): DAL TILE D037 PEPPER WHITE
- #3 - BENCH & STEP EDGES (optional): DAL TILE D023 GALAXY 1" X 1"
- #4 - COPING: Federal Stone AY Series - 7" x 24"

Date: _____
 Approval: _____

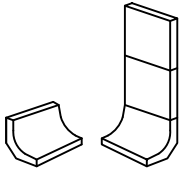
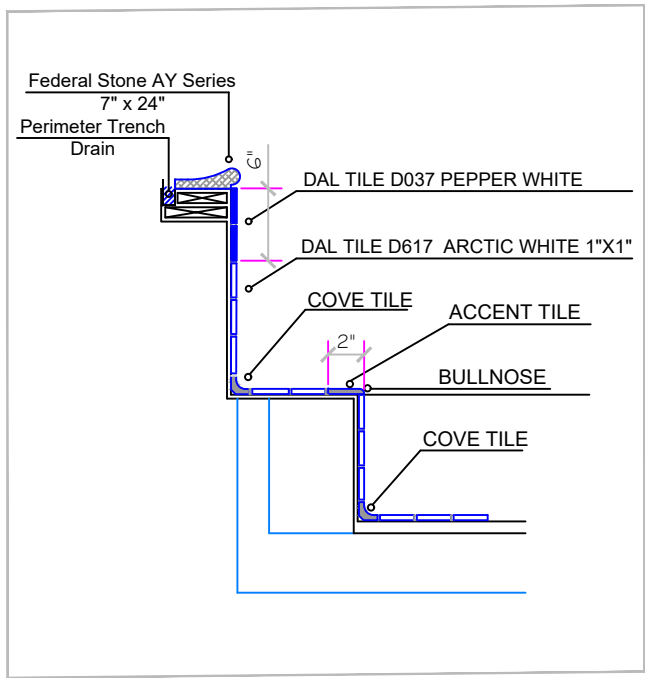
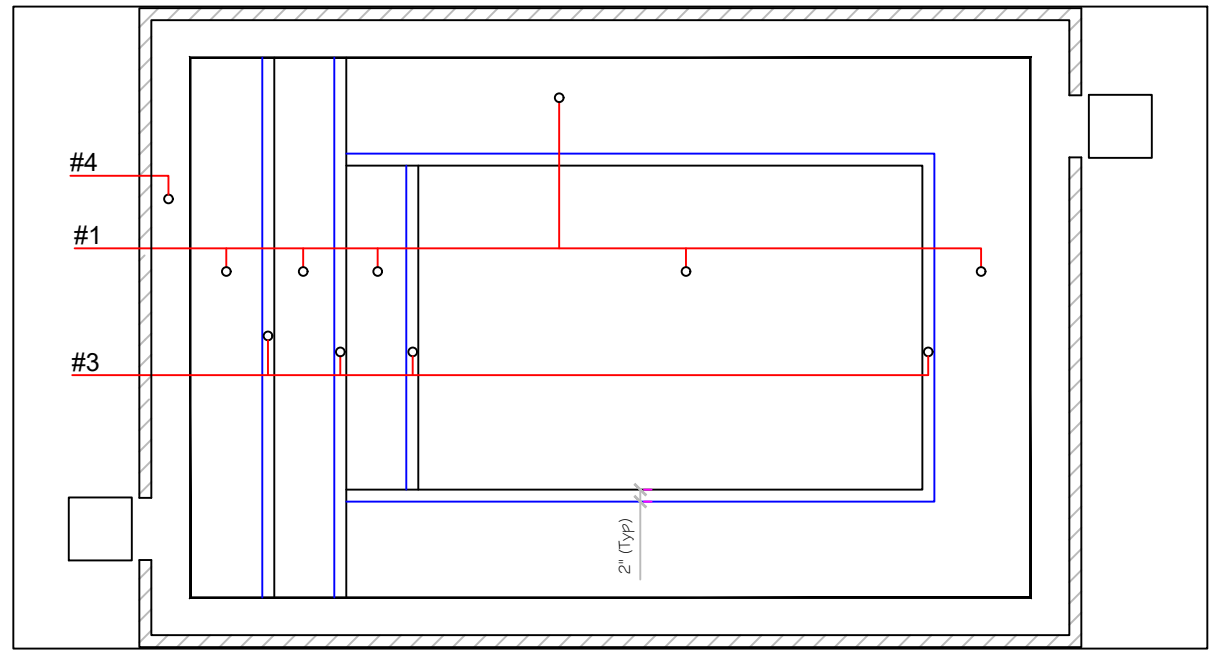
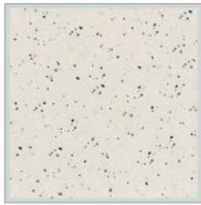
Dal Tile D617
Arctic White



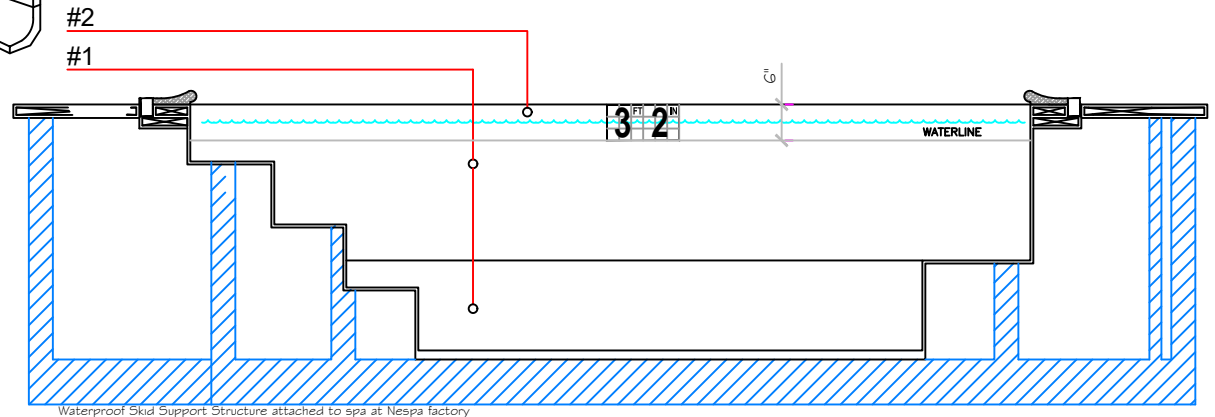
Dal Tile D023
Galaxy



Dal Tile D037
Pepper White



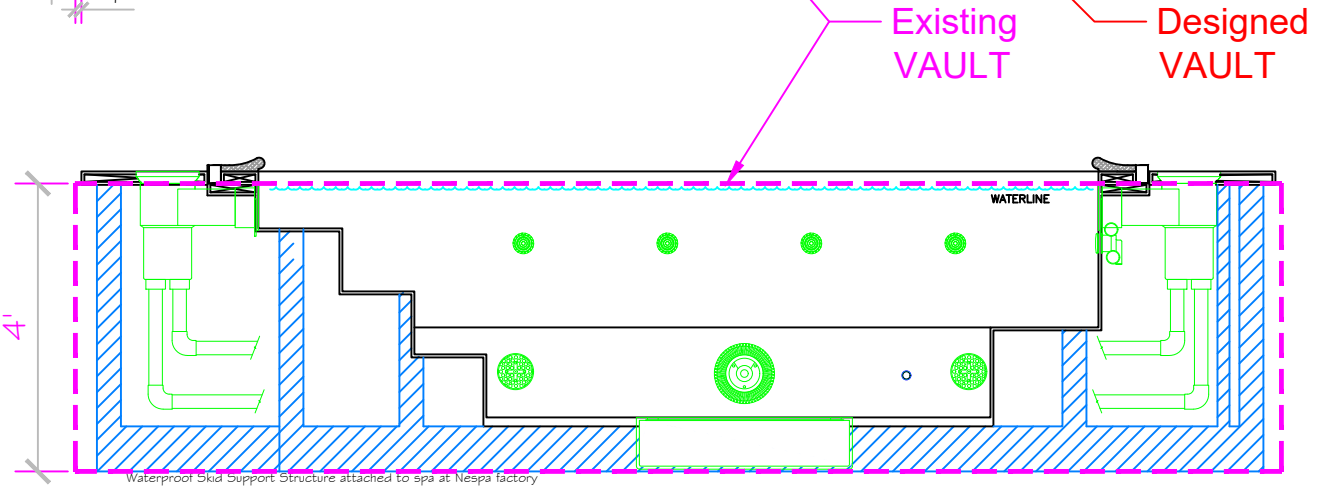
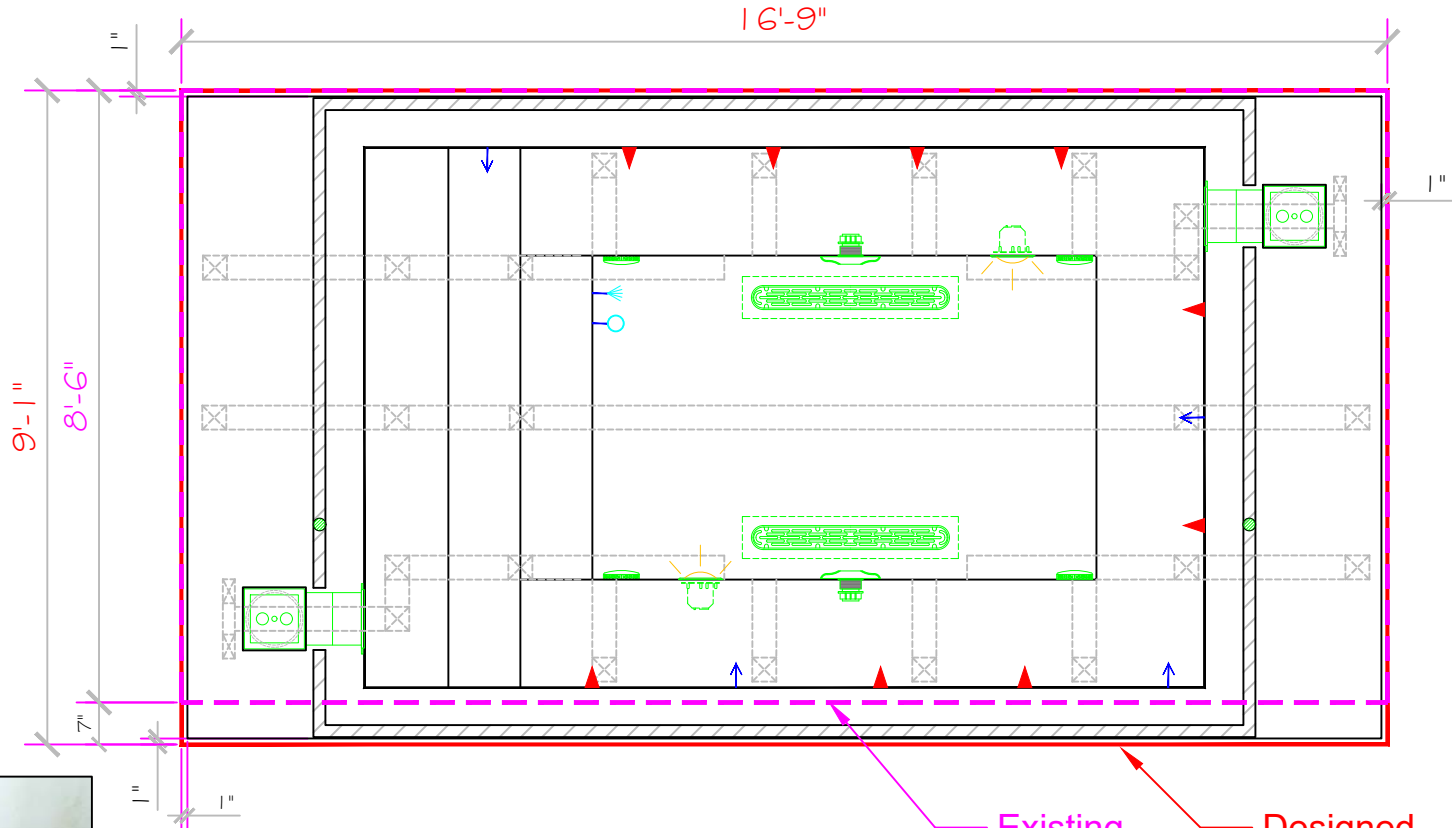
C-833
COVE
TILE



APPROVED

ALL DIMENSIONS SUBJECT TO 1/4" TOLERANCES

| | | | | | |
|--|---|--|--|---------------|---|
| These are Submittals, not Design Drawings. Structural spa content by NESPA ENTERPRISES INC. , Concepts & Layout by owner. | NESPA ENTERPRISES INC. 2800 Richter Ave. Ste. C Oroville, CA 95966 Office: (530) 534-9910 Fax: (530) 534-9915 E-Mail: jim@tiledspas.com Web Site: www.tiledspas.com | | SCALE 3/8" = 1' DWG NAME BERKELEY SPORTS CLUB | DATE 2/5/2016 | DWG TYPE Mens Tile SHEET PAGE 3 OF 7 |
| | | | | | |



These are Submittals, not Design Drawings.
Structural spa content by **NESPA ENTERPRISES INC.**,
Concepts & Layout by owner.

NESPA ENTERPRISES INC.
2800 Richter Ave. Ste. C Oroville, CA 95966
Office: (530) 534-9910 Fax: (530) 534-9915
E-Mail: jim@tiledspas.com Web Site: www.tiledspas.com



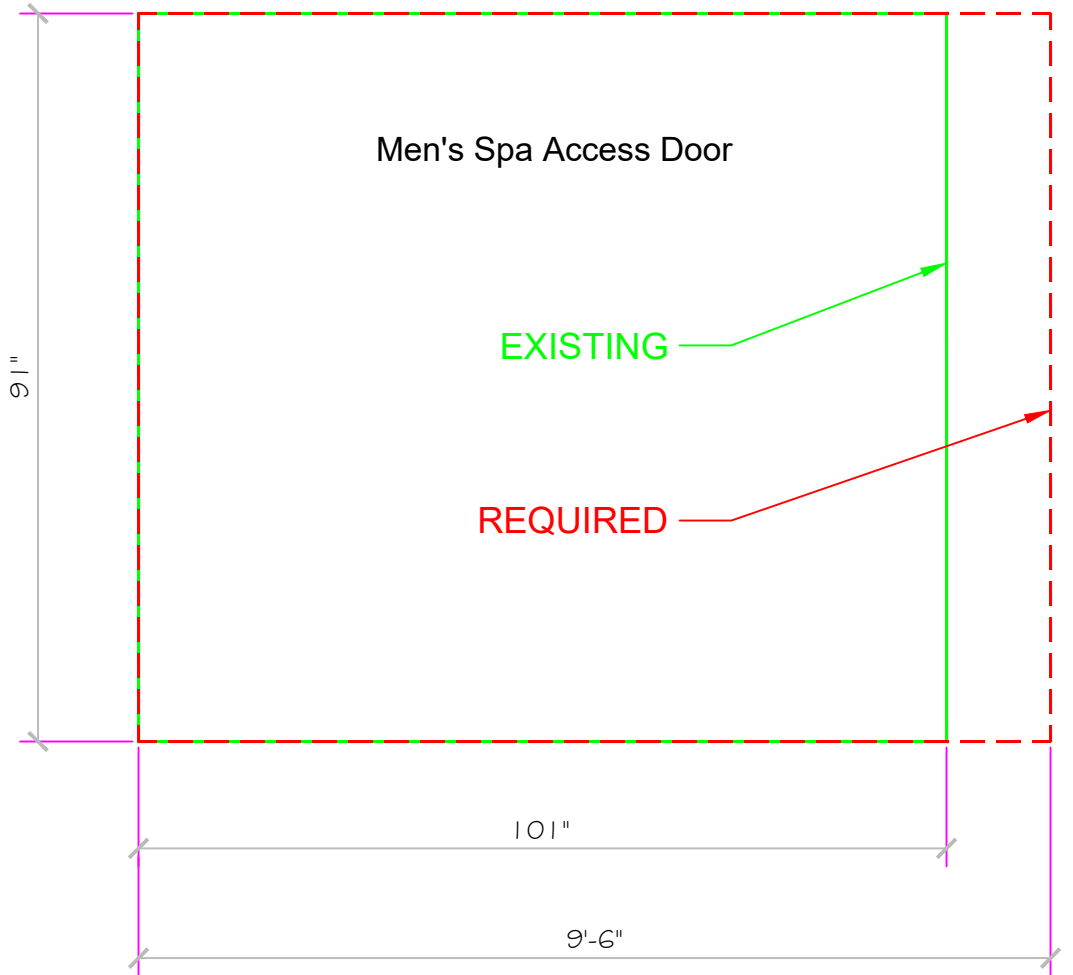
SCALE 3/8" = 1'

DWG NAME BERKELEY SPORTS CLUB

DATE 2/4/2016

DWG TYPE Mens Layout

SHEET PAGE 4 OF 7



These are Submittals, not Design Drawings.
Structural spa content by [NESPA ENTERPRISES INC.](http://www.nespa.com),
Concepts & Layout by owner.

NESPA ENTERPRISES INC.
2800 Richter Ave. Ste. C Oroville, CA 95966
Office: (530) 534-9910 Fax: (530) 534-9915
E-Mail: jim@tiledspas.com Web Site: www.tiledspas.com



SCALE 1/2" = 1'

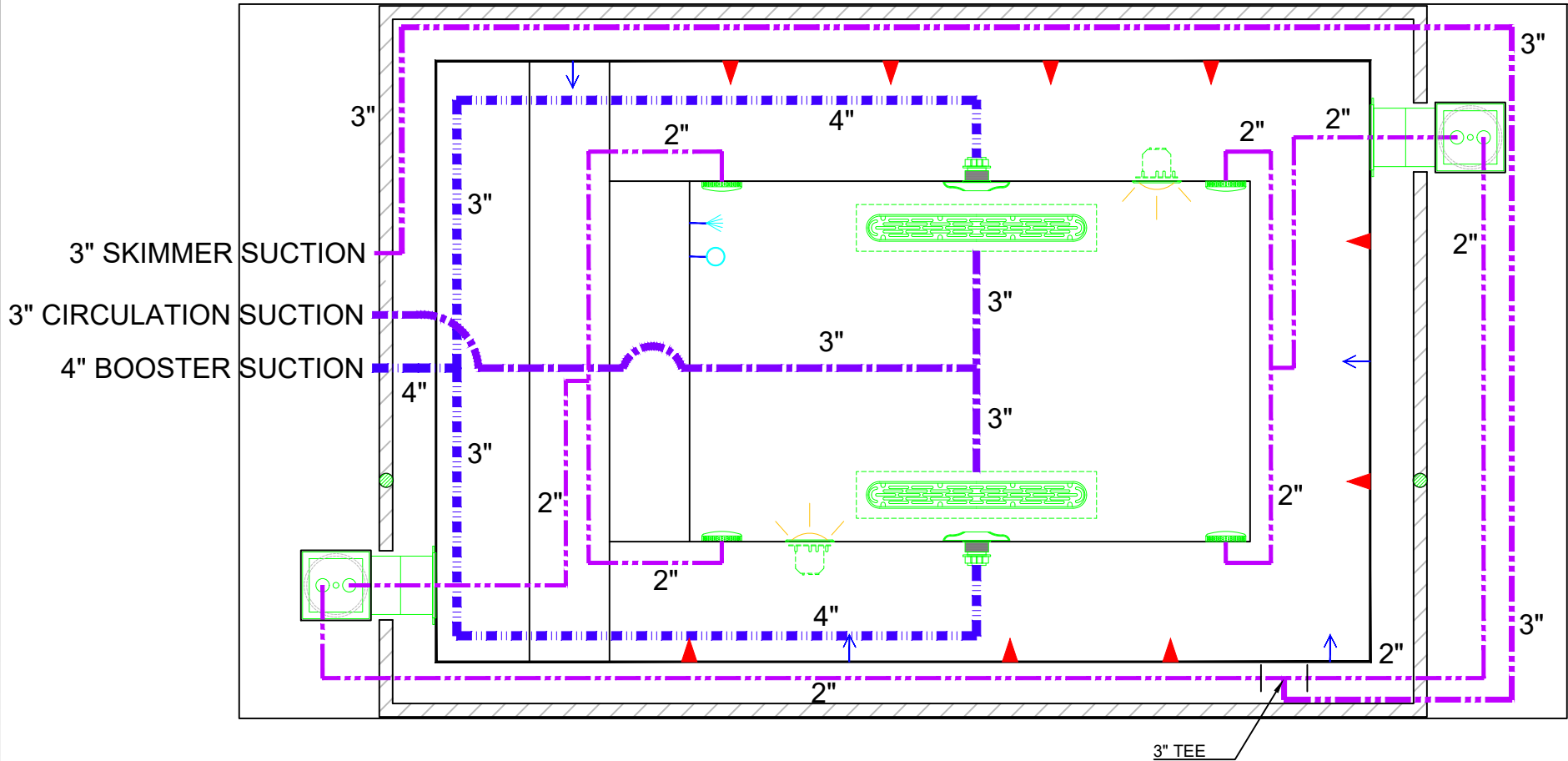
DWG TYPE
Mens Access

DWG NAME BERKELEY SPORTS CLUB

DATE 2/4/2016

SHEET PAGE 5 OF 7

NOTE:
 All Piping is
 Schedule 40 PVC



APPROVED

ALL DIMENSIONS SUBJECT TO 1/4" TOLERANCES

NESPA ENTERPRISES INC.

2800 Richter Ave. Ste. C Oroville, CA 95966

Office: (530) 534-9910

Fax: (530) 534-9915

E-Mail: jim@tiledspas.com Web Site: www.tiledspas.com



SCALE 1/2" = 1'

DWG NAME BERKELEY SPORTS CLUB

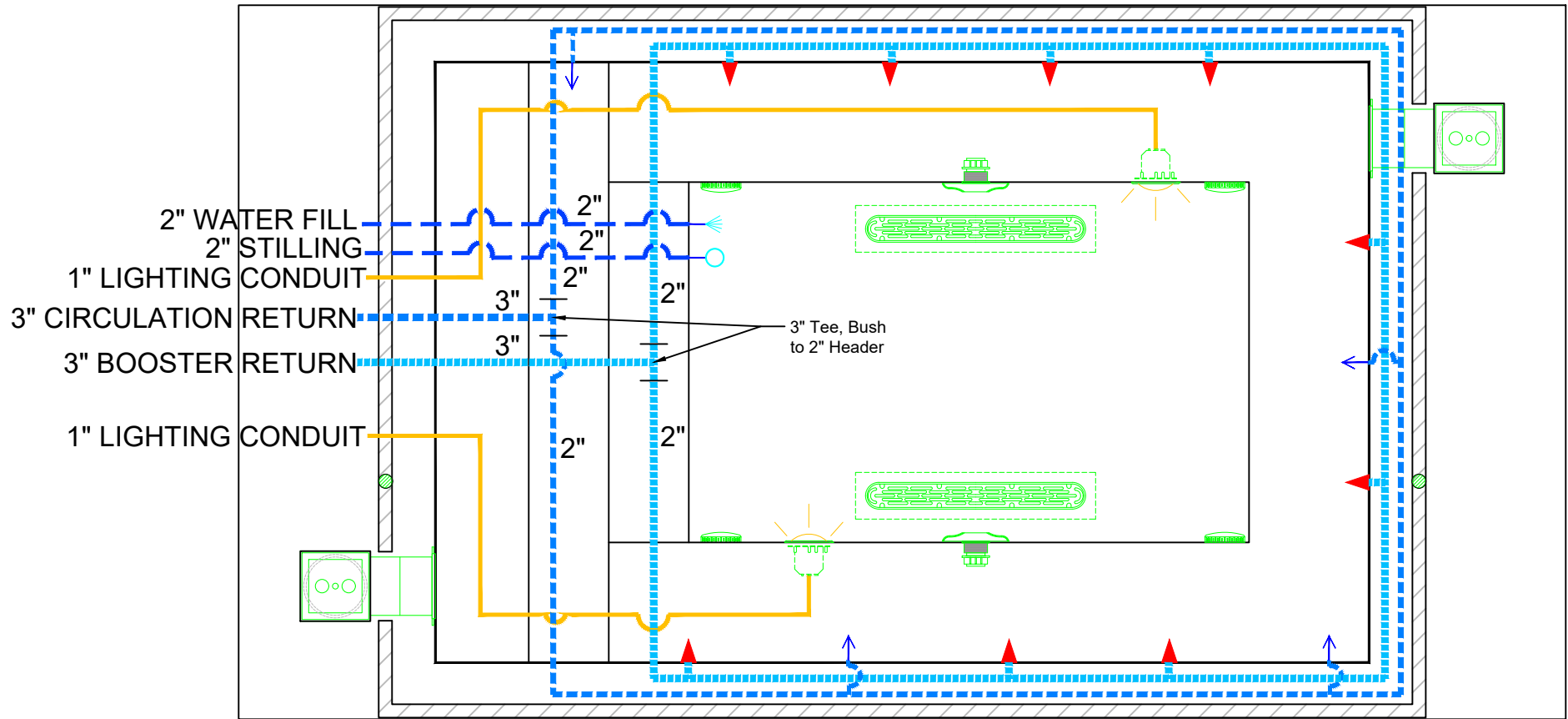
DATE 2/5/2016

DWG TYPE M Suction Plumbing

SHEET PAGE 6 OF 7

NOTE:

All Piping is
Schedule 40 PVC



APPROVED

ALL DIMENSIONS SUBJECT TO 1/4" TOLERANCES

These are Submittals, not Design Drawings.
Structural spa content by **NESPA ENTERPRISES INC.**,
Concepts & Layout by owner.

NESPA ENTERPRISES INC.
2800 Richter Ave. Ste. C Oroville, CA 95966
Office: (530) 534-9910 Fax: (530) 534-9915
E-Mail: jim@tiledspas.com Web Site: www.tiledspas.com



SCALE 1/2" = 1'

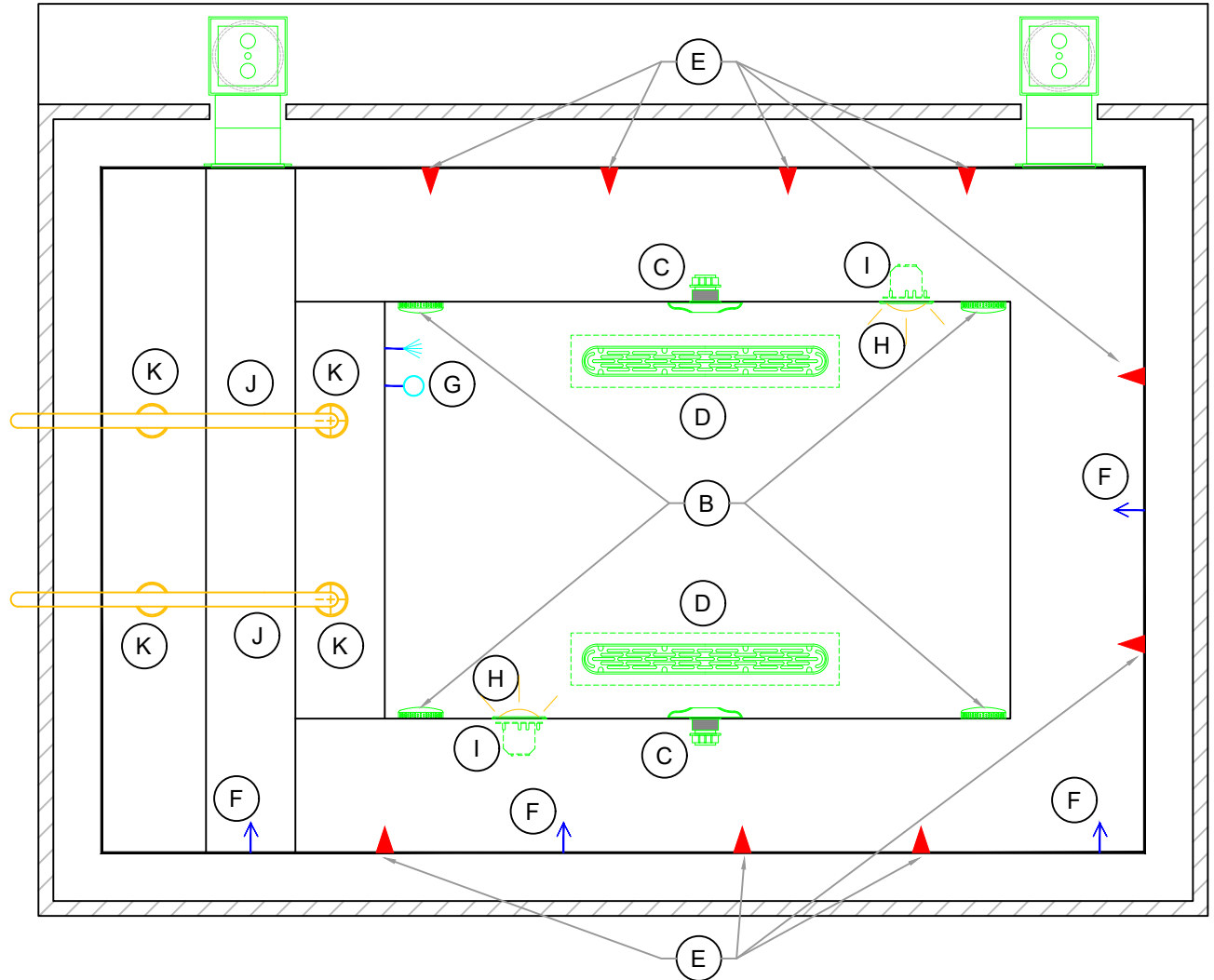
DWG NAME BERKELEY SPORTS CLUB

DATE 2/5/2016

DWG TYPE M Return Plumbing
SHEET PAGE 7 OF 7

EQUIPMENT LIST

| ITEM | DESCRIPTION | MANUFACTURER | CATALOG NO. | QTY. |
|------|---|--------------|-------------|------|
| A | SURFACE SKIMMER - AUTOMATIC W/ EQUALIZER, NSF APPROVED | HAYWARD | SP-1084 | 2 |
| B | 6" Round Hockey Puck - Sumpless Suction Outlet Floor 177 GPM - Wall 122 GPM Complies w/ ANSI / ASME A112.19.8 & NSF / ANSI 16-2011 | AQUASTAR | 6HPHxxx | 4 |
| C | Paramount SDX 10" HIGH FLOW SAFETY DRAIN Area of Opening = 43,201 in/sq Velocity @ 200 GPM = 1.485 fps V.G.B Approved Safety Drain | PARAMOUNT | SDX10 | 2 |
| D | AquaStar 32CDFLFR, 32" Channel Drain, Approved Max Flow Rate: Floor = 236 GPM @ 3.4 fps Wall = 136 GPM @ 1.9 fps V.G.B Approved Safety Drain | AQUASTAR | 32CDFLFR | 2 |
| E | HYDRO JETS 1-1/2" WATER - 1-1/2" AIR COMPLIES W/ ANSI CODE ASME A112.19.8-07 UL APPROVED | HYDROAIR | 10-5100 | 9 |
| F | INLET FITTINGS 1-1/2" WALL TYPE W/ EYEBALL COMPLIES W/ ANSI CODE ASME A112.19.8-07 UL APPROVED | HYDROAIR | 10-3500 | 4 |
| G | WATER FILL 1-1/2" WALL TYPE W/ EYEBALL COMPLIES W/ ANSI CODE ASME A112.19.8-07 UL APPROVED | HYDROAIR | 10-3500 | 1 |
| H | IntelliBrite 5g White LED Spa light 120 VOLT, U.L. APPROVED GC to confirm locations of JB to ensure cord length | PENTAIR | 640141 | 2 |
| I | LIGHT NICHE (FOR UNDERWATER LIGHT) W/ 1" HUB | PENTAIR | 782423 | 2 |
| J | HAND RAIL, STAINLESS STEEL, 3' - 6" LENGTH, | CUSTOM | - | 2 |
| K | WEDGE ANCHORS, BRONZE | S.R. SMITH | EP-100A | 4 |



APPROVED

ALL DIMENSIONS SUBJECT TO 1/4" TOLERANCES

These are Submittals, not Design Drawings.
Structural spa content by **NESPA ENTERPRISES INC.**,
Concepts & Layout by owner.

NESPA ENTERPRISES INC.
2800 Richter Ave. Ste. C Oroville, CA 95966
Office: (530) 534-9910 Fax: (530) 534-9915
E-Mail: jim@tiledspas.com Web Site: www.tiledspas.com



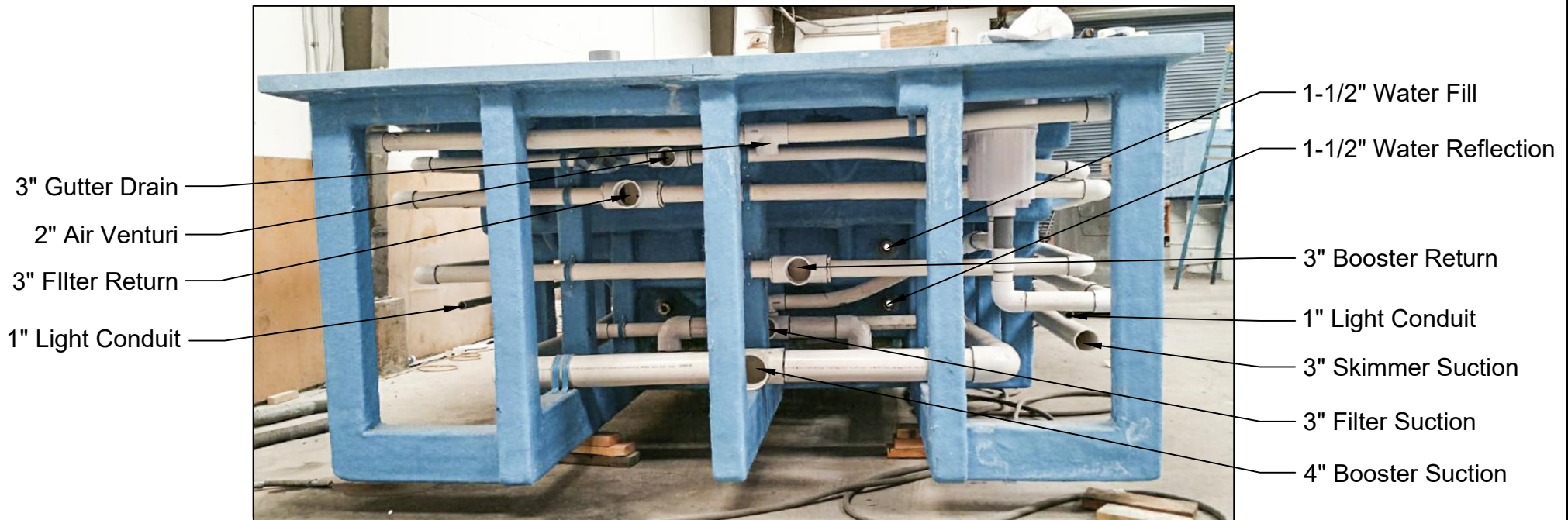
SCALE N/A

DWG NAME BERKELEY SPORTS CLUB

DATE 11/5/2015

DWG TYPE
W Spa Equipment

SHEET
PAGE 1 OF 12



Berkeley Men's

These are Submittals, not Design Drawings.
 Structural spa content by **NESPA ENTERPRISES INC.**
 Concepts & Layout by owner.

NESPA ENTERPRISES INC.
 2800 Richter Ave. Ste. C Oroville, CA 95966
 Office: (530) 534-9910 Fax: (530) 534-9915
 E-Mail: jim@tiledspas.com Web Site: www.tiledspas.com



SCALE N/A

DWG NAME BERKELEY SPORTS CLUB

DATE 7/11/2016

DWG TYPE Mens Plumbing ID

SHEET PAGE 1 OF 1



Berkeley Women's

These are Submittals, not Design Drawings.
 Structural spa content by **NESPA ENTERPRISES INC.**
 Concepts & Layout by owner.

NESPA ENTERPRISES INC.
 2800 Richter Ave. Ste. C Oroville, CA 95966
 Office: (530) 534-9910 Fax: (530) 534-9915
 E-Mail: jim@tiledspas.com Web Site: www.tiledspas.com



SCALE N/A

DWG NAME BERKELEY SPORTS CLUB

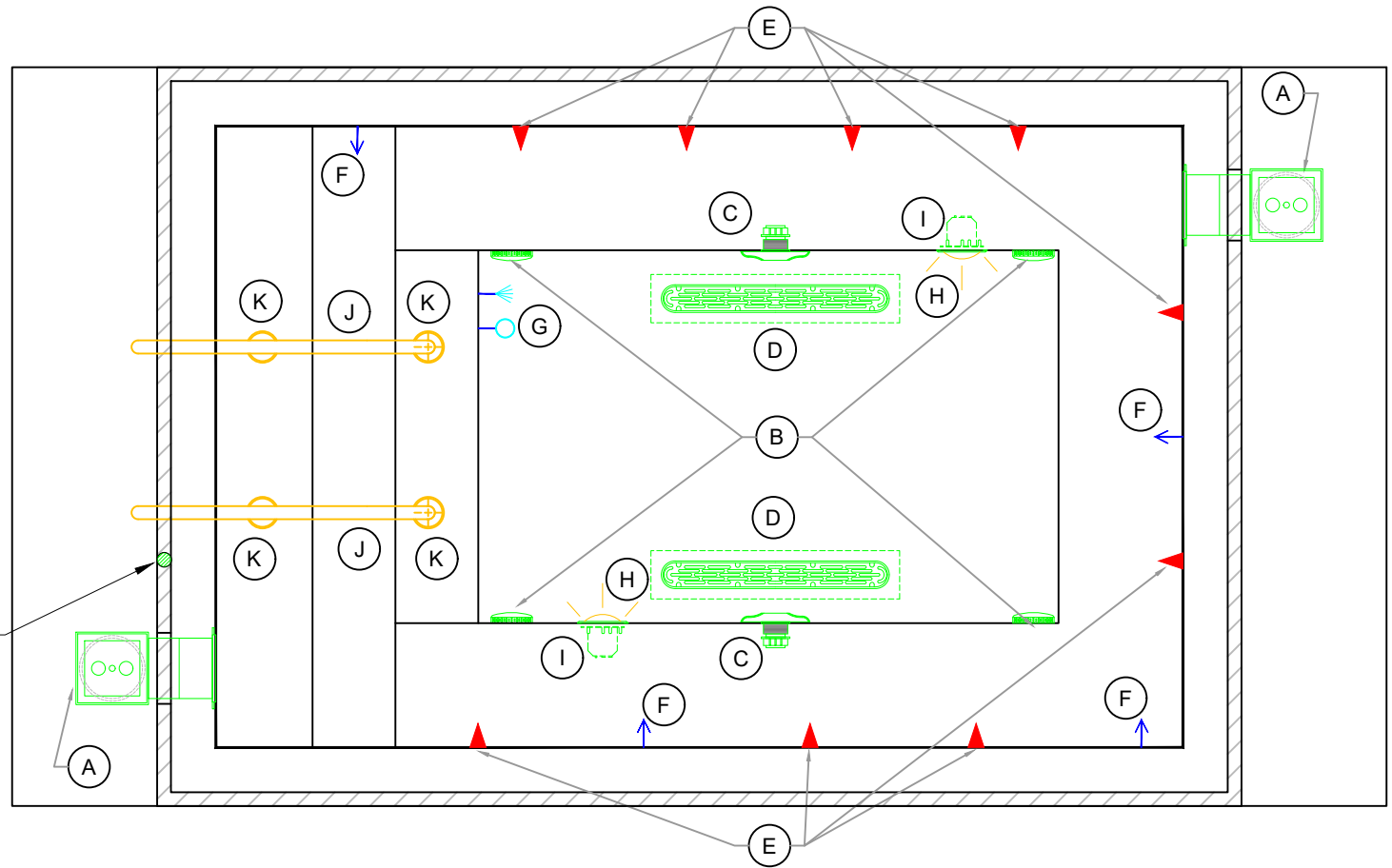
DATE 7/11/2016

DWG TYPE Women's Plumbing ID

SHEET PAGE 1 OF 1

EQUIPMENT LIST

| ITEM | DESCRIPTION | MANUFACTURER | CATALOG NO. | QTY. |
|------|--|--------------|-------------|------|
| A | SURFACE SKIMMER - AUTOMATIC W/ EQUALIZER, NSF APPROVED | HAYWARD | SP-1084 | 2 |
| B | 6" Round Hockey Puck - Sumplless Suction Outlet Floor 177 GPM - Wall 122 GPM Complies w/ ANSI / ASME A112.19.8 & NSF / ANSI 16-2011 | AQUASTAR | 6HPHAxxx | 4 |
| C | Paramount SDX 10" HIGH FLOW SAFETY DRAIN Area of Opening = 43,201 in ² Velocity @ 200 GPM = 1,485 fps V.G.B Approved Safety Drain | PARAMOUNT | SDX10 | 2 |
| D | AquaStar 32CDFLFR, 32" Channel Drain, Approved Max Flow Rate: Floor = 236 GPM @ 3.4 fps Wall = 136 GPM @ 1.9 fps V.G.B Approved Safety Drain | AQUASTAR | 32CDFLFR | 2 |
| E | HYDRO JETS 1-1/2" WATER - 1-1/2" AIR COMPLIES W/ ANSI CODE ASME A112.19.8-07 UL APPROVED | HYDROAIR | 10-5100 | 9 |
| F | INLET FITTINGS 1-1/2" WALL TYPE W/ EYEBALL COMPLIES W/ ANSI CODE ASME A112.19.8-07 UL APPROVED | HYDROAIR | 10-3500 | 4 |
| G | WATER FILL 1-1/2" WALL TYPE W/ EYEBALL COMPLIES W/ ANSI CODE ASME A112.19.8-07 UL APPROVED | HYDROAIR | 10-3500 | 1 |
| H | IntelliBrite 5g White LED Spa light 120 VOLT, U.L. APPROVED GC to confirm locations of JB to ensure cord length | PENTAIR | 640141 | 2 |
| I | LIGHT NICHE (FOR UNDERWATER LIGHT) W/ 1" HUB | PENTAIR | 782423 | 2 |
| J | HAND RAIL, STAINLESS STEEL, 3' - 6" LENGTH. | CUSTOM | - | 2 |
| K | WEDGE ANCHORS, BRONZE | S.R. SMITH | EP-100A | 4 |



Gutter Drain Location to be Determined

APPROVED

ALL DIMENSIONS SUBJECT TO 1/4" TOLERANCES

These are Submittals, not Design Drawings.
Structural spa content by **NESPA ENTERPRISES INC.**,
Concepts & Layout by owner.

NESPA ENTERPRISES INC.
2800 Richter Ave. Ste. C Oroville, CA 95966
Office: (530) 534-9910 Fax: (530) 534-9915
E-Mail: jim@tiledspas.com Web Site: www.tiledspas.com



SCALE N/A

DWG NAME BERKELEY SPORTS CLUB

DATE 11/5/2015

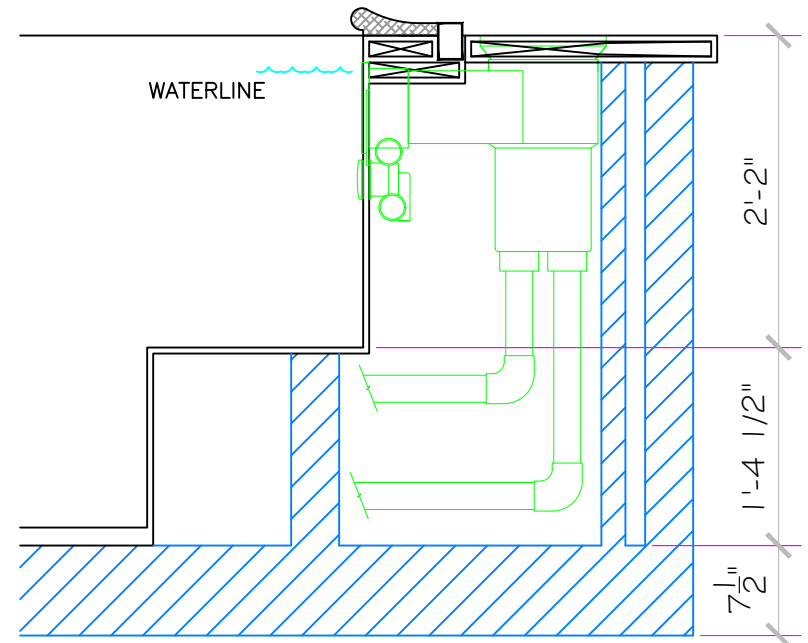
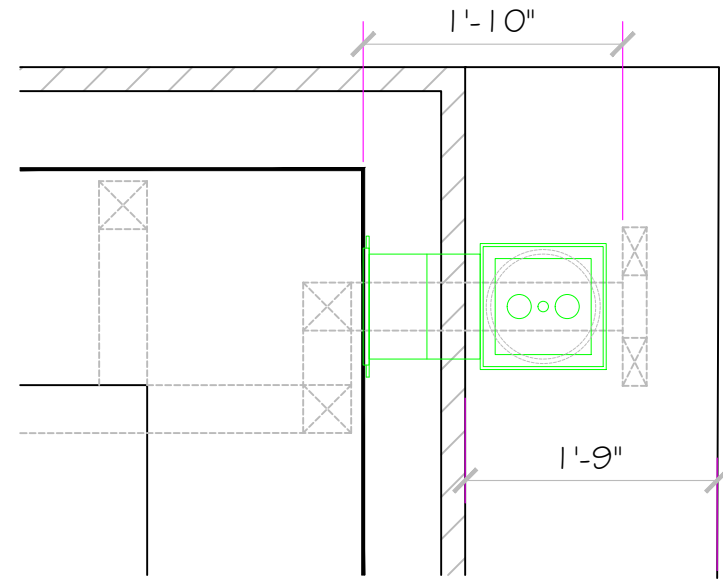
DWG TYPE M Spa Equipment

SHEET PAGE 2 OF 12

SP1084FVE-SKIMMER WITH EQUALIZER VALVE AND FLOAT VALVE ASSEMBLY

A. EQUALIZER-Model SP1078 Equalizer Valve Assembly installs over front port, and is used in conjunction with the SP1082FV Float Valve Assembly. If water level drops below skimmer opening, or if skimmer flow is obstructed, the float will automatically snap shut and the equalizer valve will open. This diverts all flow to the pump from the equalizer line and prevents airlock in the pump- When the pump is shut off, and the water level condition is corrected, the float will rise and the equalizer valve will close, allowing normal skimming operation when the pump is restarted.

B. TO VACUUM Select one convenient skimmer and remove cover. Fill vacuum hose with water and insert onto SP1106 or SP1107 Skim-Vac (not supplied with skimmer) over basket vacuum-plate (not supplied with skimmer). Place Skim-Vac through skimmer opening and over skimmer basket. Turn circulating pump on and proceed with vacuuming. Throttle downflow from other skimmer(s) until desired suction is obtained through vacuum hose.



APPROVED

These are Submittals, not Design Drawings.
Structural spa content by **NESPA ENTERPRISES INC.**,
Concepts & Layout by owner.

NESPA ENTERPRISES INC.
2800 Richter Ave. Ste. C Oroville, CA 95966
Office: (530) 534-9910 Fax: (530) 534-9915
E-Mail: jim@tiledspas.com Web Site: www.tiledspas.com



SCALE 3/4" = 1'

DWG NAME BERKELEY SPORTS CLUB

DATE 11/5/2015

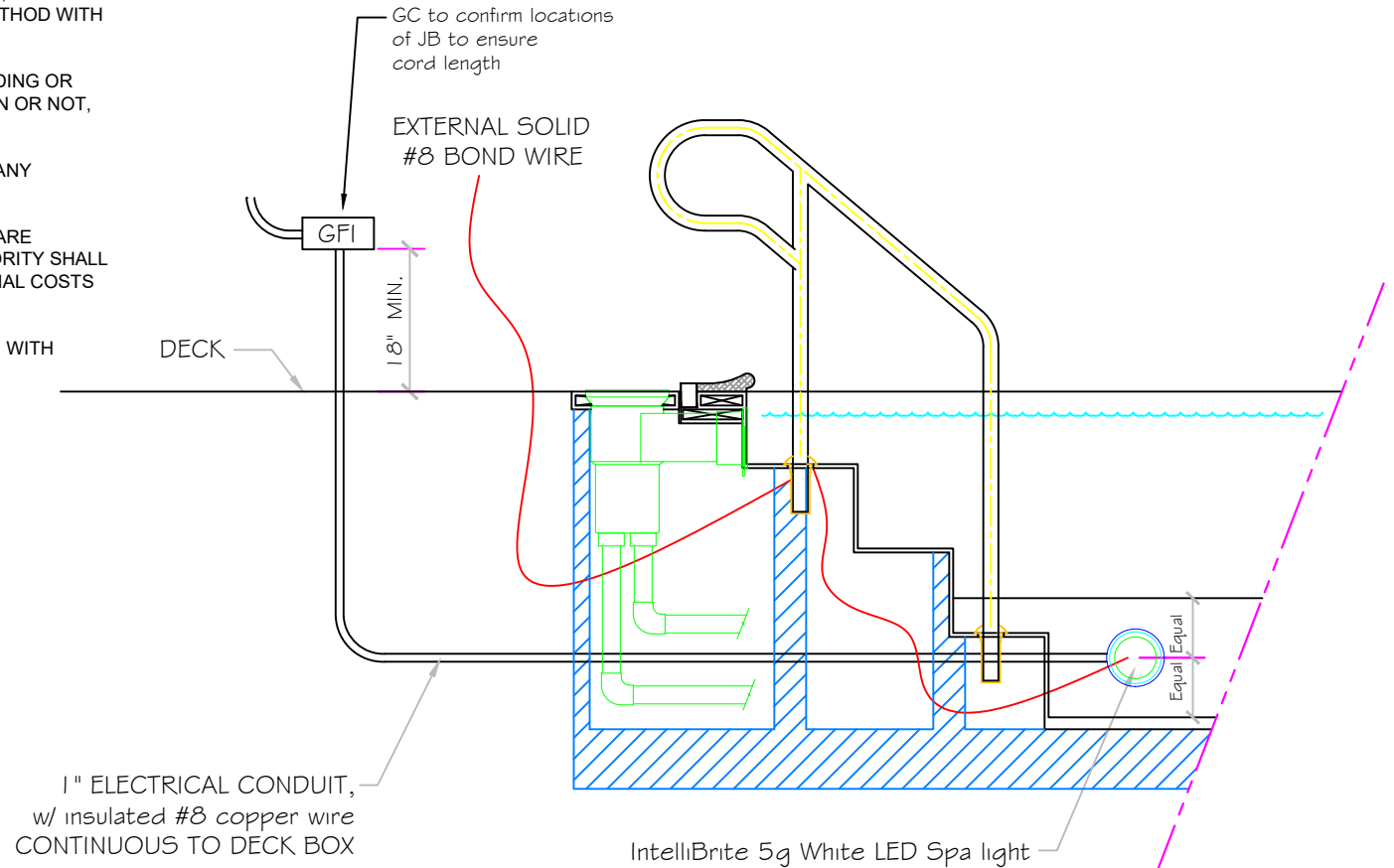
DWG TYPE Skimmer Detail

SHEET PAGE 3 OF 12

POOL BONDING REQUIREMENTS:

1. THE FOLLOWING PARTS SHALL BE BONDED TOGETHER AND CONNECTED TO THE COMMON BONDING GRID.
 - A. ALL THE METALLIC PARTS OF THE POOL STRUCTURE INCLUDING COPPING STONES, DECK, PERMANENT PLAY STRUCTURES, PERMANENT EXERCISE STRUCTURES.
 - B. ALL METAL FITTINGS WITHIN OR ATTACHED TO THE POOL STRUCTURE
 - C. METAL PARTS ASSOCIATED WITH THE POOL WATER CIRCULATING SYSTEM, INCLUDING PUMPS, FILTERS, AND HEATERS.
 - D. METAL PARTS ASSOCIATED WITH POOL COVERS
 - E. METAL SHEATHED CABLES AND RACEWAYS, METAL PIPING AND ALL FIXED METAL PARTS WITHIN 5 FEET HORIZONTALLY OF INSIDE WALLS OF POOL AND WITHIN 12 FEET ABOVE MAXIMUM WATER LEVEL OF POOL.
 - F. METAL PARTS ASSOCIATED WITH OBSERVATION STANDS, TOWERS, PLATFORMS, AND DIVING STRUCTURES.
2. BONDING CONDUCTORS SHALL BE MINIMUM #8 SOLID COPPER, INSULATED E.C. SHALL COORDINATE APPROVED CONNECTOR TYPE AND METHOD WITH LOCAL ELECTRICAL AND/ OR POOL INSPECTOR.
3. SPECIFIC MANUFACTURER'S INSTRUCTIONS REGARDING BONDING OR GROUNDING OF POOL EQUIPMENT, WHETHER INDICATED HEREIN OR NOT, SHALL BE STRICTLY FOLLOWED.
4. THE COMMON BONDING GRID SHALL NOT BE CONNECTED TO ANY ELECTRICAL DISTRIBUTION EQUIPMENT.
5. ANY PARTS IN ADDITION TO THOSE DESCRIBED HEREIN THAT ARE INDICATED BY POOL CONTRACTOR OR LOCAL INSPECTION AUTHORITY SHALL BE BONDED TO THE COMMON BONDING GRID WITH NO ADDITIONAL COSTS INCURRED BY THE OWNER.
6. THE ELECTRICAL CONTRACTOR SHALL COORDINATE BONDING WITH GENERAL CONTRACTOR.

LED LIGHT DETAIL



APPROVED

ALL DIMENSIONS SUBJECT TO 1/4" TOLERANCES

These are Submittals, not Design Drawings.
Structural spa content by **NESPA ENTERPRISES INC.**,
Concepts & Layout by owner.

NESPA ENTERPRISES INC.
2800 Richter Ave. Ste. C Oroville, CA 95966
Office: (530) 534-9910 Fax: (530) 534-9915
E-Mail: jim@tiledspas.com Web Site: www.tiledspas.com



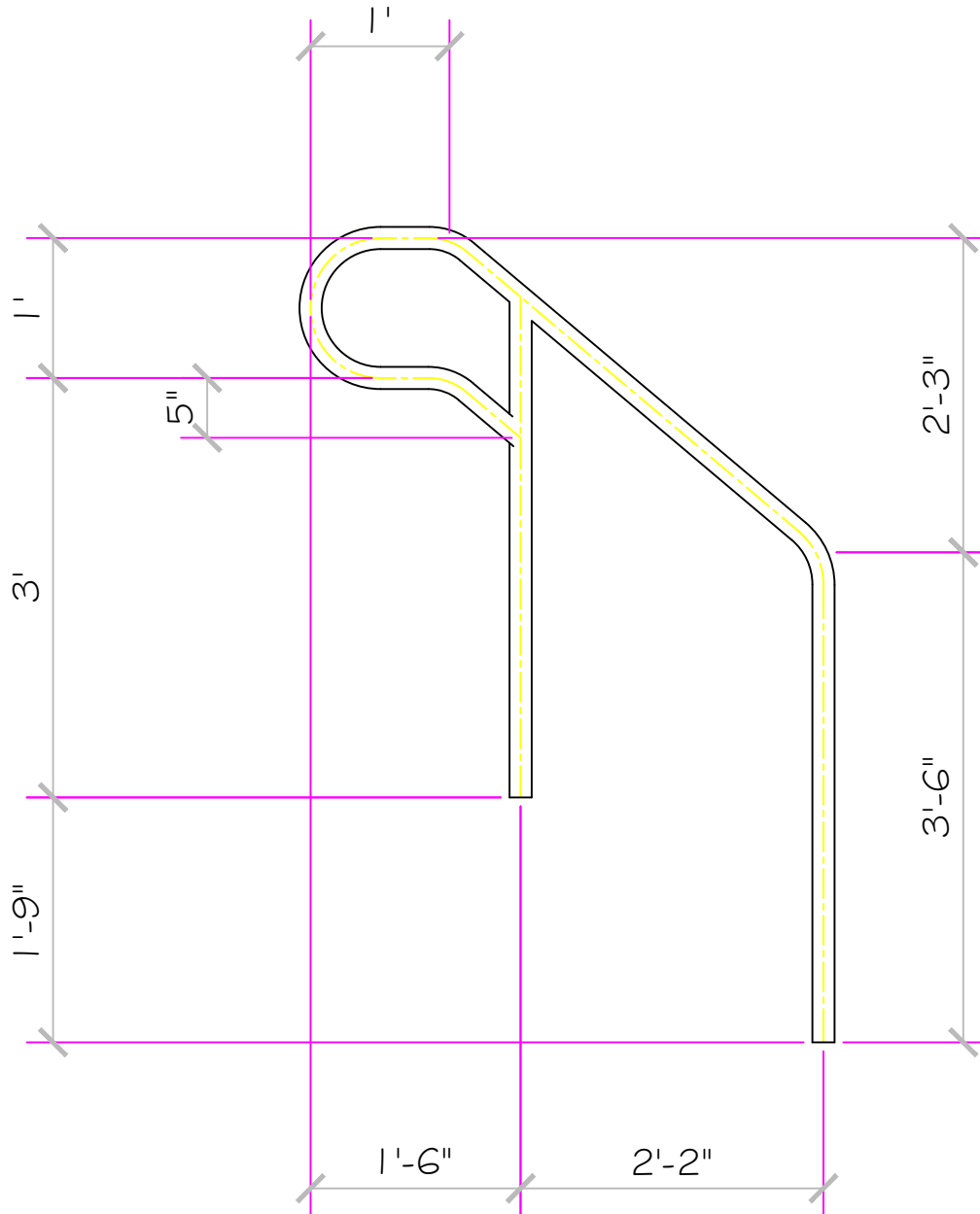
SCALE 1/2" = 1'

DWG NAME BERKELEY SPORTS CLUB

DATE 11/5/2015

DWG TYPE Light Detail

SHEET PAGE 4 OF 12



Men's Hand Rail

APPROVED

ALL DIMENSIONS SUBJECT TO 1/4" TOLERANCES

NESPA ENTERPRISES INC.

2800 Richter Ave. Suite C Oroville, CA 95966

Office: (530) 534-9910 Fax: (530) 534-9915

E-Mail: jim@tiledspas.com Web Site: www.tiledspas.com



SCALE

3/4" = 1'

DWG TYPE

Men's

DWG NAME

BERKELEY SPORTS CLUB

DATE

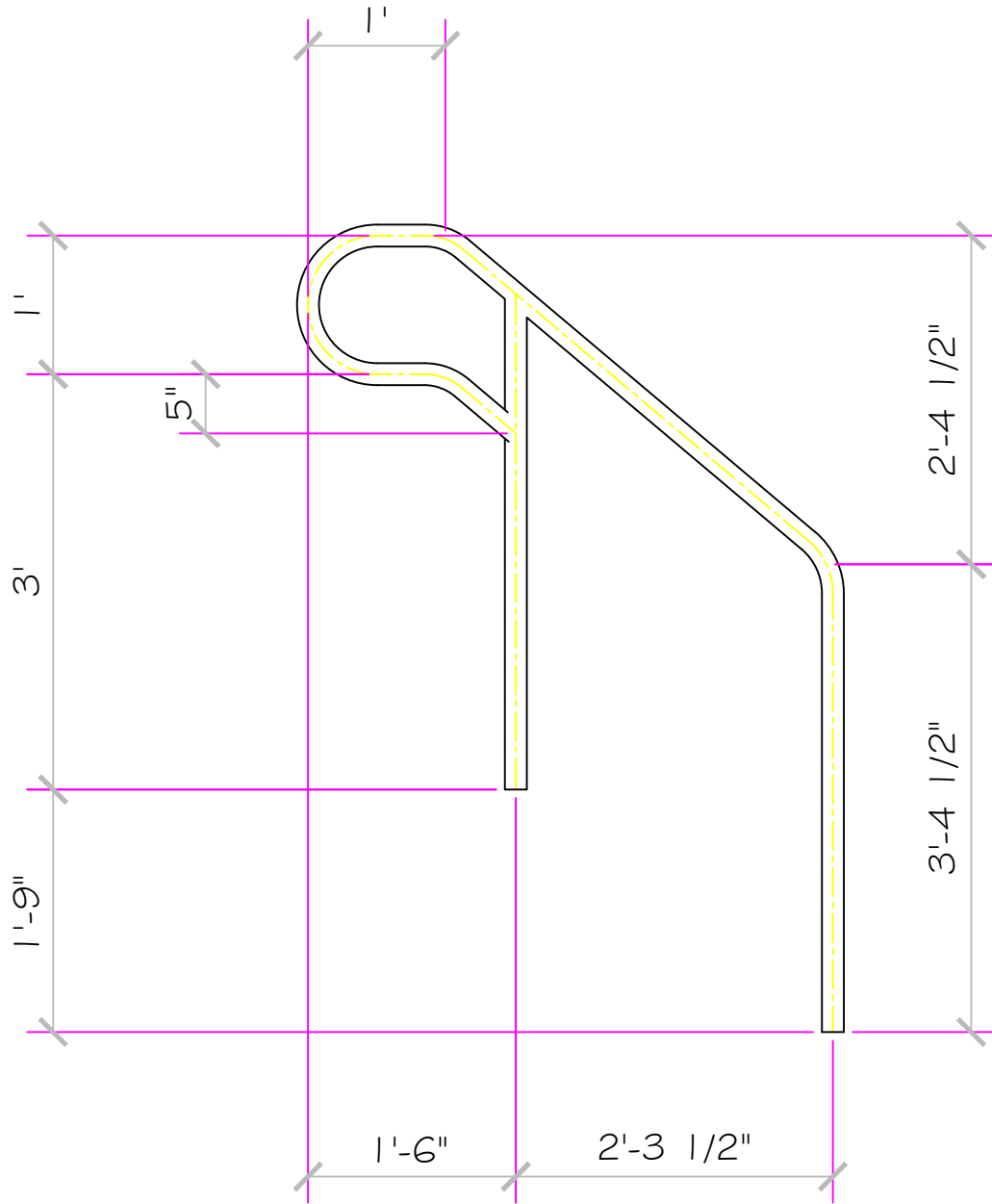
3/25/2016

SHEET

PAGE 1 OF 1

These are Submittals, not Design Drawings.

Structural spa content by **NESPA ENTERPRISES INC.**, Concepts & Layout by owner.



Women's Hand Rail

APPROVED

ALL DIMENSIONS SUBJECT TO 1/4" TOLERANCES

NESPA ENTERPRISES INC.

2800 Richter Ave. Suite C Oroville, CA 95966

Office: (530) 534-9910 Fax: (530) 534-9915

E-Mail: jim@tiledspas.com Web Site: www.tiledspas.com



SCALE

3/4" = 1'

DWG TYPE

Women's

DWG NAME

BERKELEY SPORTS CLUB

DATE

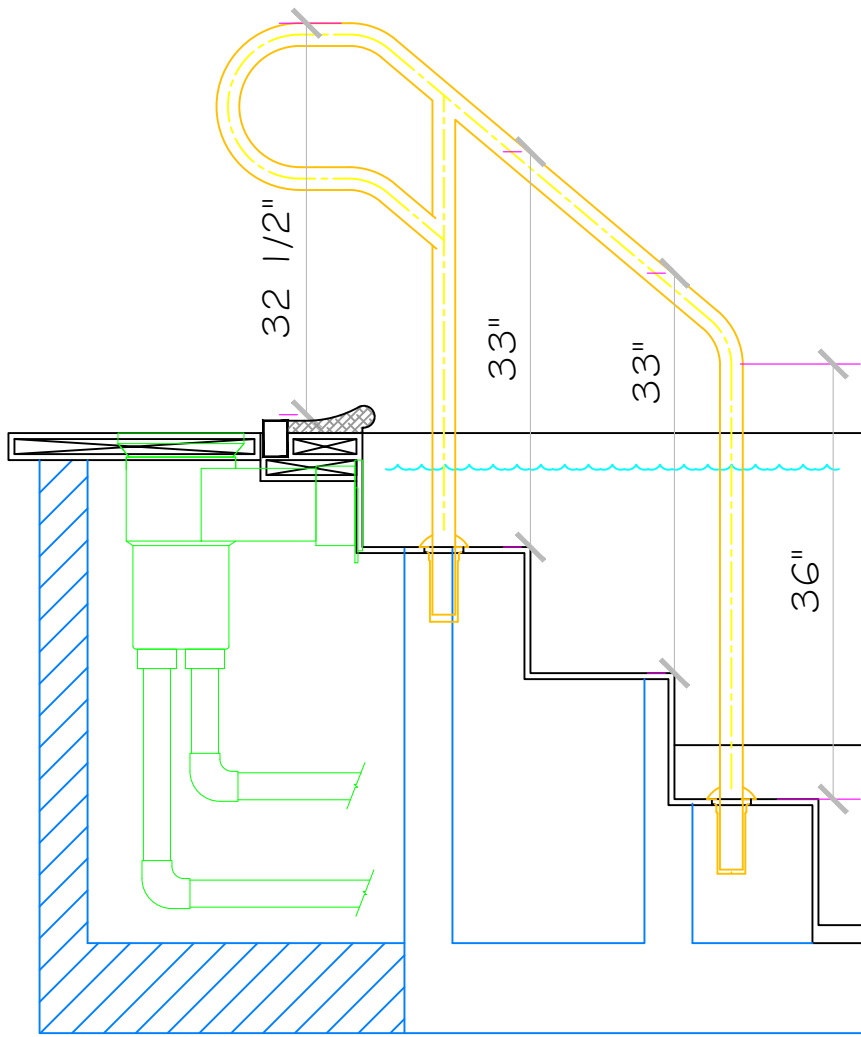
3/25/2016

SHEET

PAGE 1 OF 1

These are Submittals, not Design Drawings.

Structural spa content by **NESPA ENTERPRISES INC.**, Concepts & Layout by owner.



APPROVED

ALL DIMENSIONS SUBJECT TO 1/4" TOLERANCES

These are Submittals, not Design Drawings.
 Structural spa content by **NESPA ENTERPRISES INC.**
 Concepts & Layout by owner.

NESPA ENTERPRISES INC.
 2800 Richter Ave. Ste. C Oroville, CA 95966
 Office: (530) 534-9910 Fax: (530) 534-9915
 E-Mail: jim@tiledspas.com Web Site: www.tiledspas.com



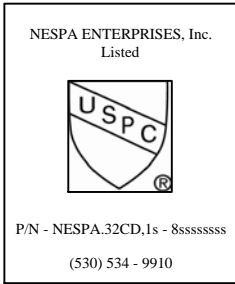
SCALE 3/4" = 1'

DWG NAME BERKELEY SPORTS CLUB

DATE 2/5/2016

DWG TYPE Handrail Detail

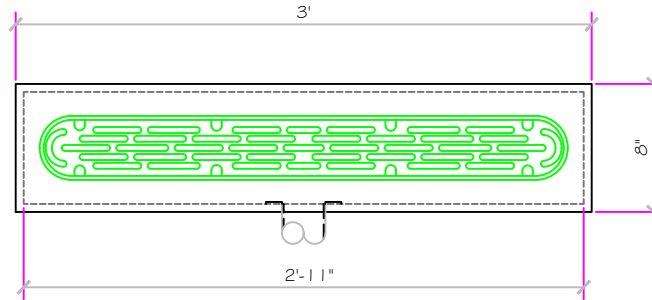
SHEET PAGE 6 OF 12



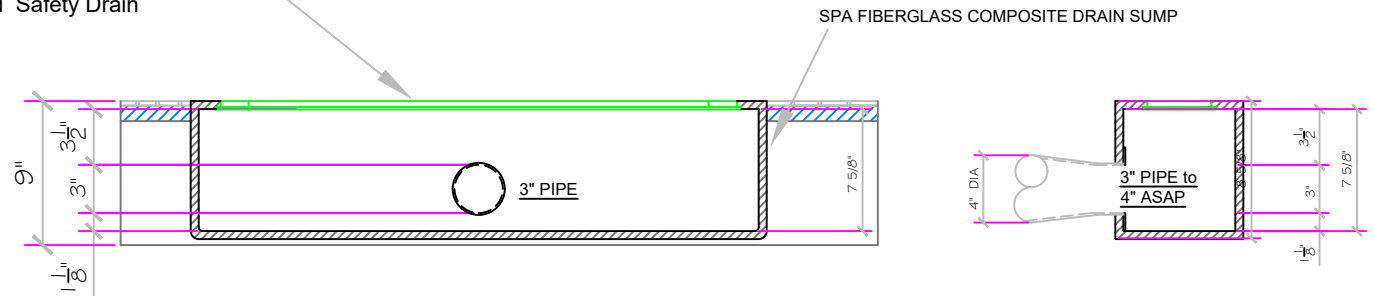
AquaStar 32CDFLFR

Note: Plumbing Flow rate of approved sump not to exceed VGB 2008 rating of drain grate.

Note : Sump not intended to carry load of pool or spa.
Sump to be protected from vessel weight bearing.



AquaStar 32CDFLFR, 32" Channel Drain
Return Flow Rate 86 GPM
Approved Max Flow Rate: Floor = 236 GPM @ 3.4 fps
Wall = 136 GPM @ 1.9 fps
V.G.B Approved Safety Drain



s = Pipe size not to exceed Drain Cover Maximum rated flow.

APPROVED

ALL DIMENSIONS SUBJECT TO 1/4" TOLERANCES

NESPA ENTERPRISES INC.

2800 Richter Ave. Ste. C Oroville, CA 95966

Office: (530) 534-9910

Fax: (530) 534-9915

E-Mail: jim@tiledspas.com Web Site: www.tiledspas.com



SCALE 1" = 1'

DWG NAME BERKELEY SPORTS CLUB

DATE 2/5/2016

DWG TYPE Main Drain Detail

SHEET PAGE 8 OF 12

These are Submittals, not Design Drawings.
Structural spa content by **NESPA ENTERPRISES INC.**,
Concepts & Layout by owner.



SDX PROTECTS AGAINST ALL FIVE TYPES OF ENTRAPMENT; HAIR, LIMB, BODY SUCTION, EVISCERATION, AND MECHANICAL ENTRAPMENT.

With a flow rating of 200 gpm on the floor and 192 gpm on the wall SDX is compatible with pumps up to 3 hp. In most cases this eliminates the need to calculate the system total dynamic head. SDX has a 1.485 feet per second velocity at the opening at a maximum listed 200 gpm.

| DESCRIPTION | MAX FLOW FLOOR | MAX FLOW WALL |
|------------------|---------------------|---------------------|
| ONE SDX DRAIN | 200 GPM (75.6 LPM) | 192 GPM (72.6 LPM) |
| TWO SDX DRAINS | 200 GPM (75.6 LPM) | 192 GPM (72.6 LPM) |
| THREE SDX DRAINS | 300 GPM (113.4 LPM) | 288 GPM (109.0 LPM) |
| FOUR SDX DRAINS | 400 GPM (151.4 LPM) | 384 GPM (145.6 LPM) |

MEETS NATIONAL ANTI-ENTRAPMENT REQUIREMENTS

- ASME A11.2.19.8 - 2007 LISTED
- IAPMO TESTED AND CERTIFIED; A NATIONALLY RECOGNIZED TESTING LABORATORY (NRTL) ACCREDITED BY ANSI.
- USFPC (UNIFORM SWIMMING POOL, SPA AND HOT TUB CODE) COMPLIANT
- IRC (INTERNATIONAL RESIDENTIAL CODE), SECTION 105.2 SUCTION FITTINGS - COMPLIANT

WARNING: SDX and SDX Retro must be installed in accordance with Paramount's written instruction manual, and in conformity with applicable Federal, State, Local and swimming pool industry building and safety codes.



Protected by U.S. patent numbers 7,178,179; 6,502,694; 6,501,888

RD040613 00-02-000-00



HIGH FLOW SAFETY DRAIN

THE ORIGINAL SUMPLESS VGB COMPLIANT HIGH FLOW SAFETY DRAIN



295 E. Corporate Place, Suite 100
Chandler, AZ 85225
1 Paramount.com
1.800.821.5895
paramount@1.paramount.com

FROM THE WORLD'S #1 IN-FLOOR CLEANING SYSTEMS COMPANY



Paramount SDX 10"
HIGH FLOW SAFETY DRAIN
Area of Opening = 43.201 in/sq
Velocity @ 200 GPM = 1.485 fps
Valve Jet Pump to 200 GPM Max
V.G.B Approved Safety Drain



SUBMITTAL

ALL DIMENSIONS SUBJECT TO 1/4" TOLERANCES

NESPA ENTERPRISES INC.

2800 Richter Ave. Suite C Oroville, CA 95966

Office: (530) 534-9910 Fax: (530) 534-9915

E-Mail: jim@tiledspas.com Web Site: www.tiledspas.com



SCALE

N/A

DWG TYPE

Sidewall Drain

DWG NAME

BERKELEY SPORTS CLUB

DATE

11/5/2015

SHEET

PAGE 9 OF 12

These are Submittals, not Design Drawings.

Structural spa content by **NESPA ENTERPRISES INC.**, Concepts & Layout by owner.

IAPMO RESEARCH AND TESTING, INC.

5001 East Philadelphia Street, Ontario, California 91761-2816 • (909) 472-4100 Fax (909) 472-4244 • www.iapmo.org



CERTIFICATE OF LISTING

IAPMO Research and Testing, Inc. is a product certification body which tests and inspects samples taken from the supplier's stock or from the market or a combination of both to verify compliance to the requirements of applicable codes and standards. This activity is coupled with periodic surveillance of the supplier's factory and warehouses as well as the assessment of the supplier's Quality Assurance System. This listing is subject to the conditions set forth in the characteristics below and is not to be construed as any recommendation, assurance or guarantee by IAPMO Research and Testing, Inc. of the product acceptance by Authorities Having Jurisdiction.

The most updated information on this Certificate of Listing is available online at pld.iapmo.org

Effective Date: February 2015 Void After: February 2016

Product: Suction Fittings File No. SP-4370

Issued To: Paramount Pool & Spa Systems
295 East Corporate Place
Suite 100
Chandler, AZ 85225

Identification: Fittings shall be permanently marked as follows in a manner so as to be visible after installation in the following sequence (1)the statement "For Single or Multiple Drain Use Only", "For Single Drain Use", or "For Multiple Drain Use only" (2)maximum flow rate (3)type of fitting (4)life of the fitting in years (5) Installation position (6)Manufacturers name or requested trademark and (7)model designation and the USPC certification mark*.

Characteristics: Suction fittings for use in swimming pools, wading pools, spas, hot tubs, and other aquatic facilities.

Products listed on this certificate have been tested by an IAPMO R&T recognized laboratory. This recognition has been granted based upon the laboratory's compliance to the applicable requirements of ISO/IEC 17025.

Products are in compliance with the following code(s):
Uniform Swimming Pool, Spa and Hot Tub Code (USPC®)

Robert R. Siemsen
Chairman, Product Certification Committee

Russ Chaney
CEO, The IAPMO Group



This listing period is based upon the last date of the month indicated on the Effective Date and Void After Date shown above. Any change in material, manufacturing process, marking or design without having first obtained the approval of the Product Certification Committee, or any evidence of non-compliance with applicable codes and standards or of inferior workmanship, may be deemed sufficient cause for revocation of this listing. Production of or reference to this form for advertising purposes may be made only by specific written permission of IAPMO Research and Testing, Inc. Any alteration of this certificate could be grounds for revocation of the listing.

SUBMITTAL



IAPMO RESEARCH AND TESTING, INC.

CERTIFICATE OF LISTING

Page 2

Void After: February 2016

File No. SP-4370

Product: Suction Fittings

Issued To: Paramount Pool & Spa Systems

Products are in compliance with the following standard(s):

ANSI/APSP-16 2011
NSF/ANSI 50-2013



IAPMO RESEARCH AND TESTING, INC.
CERTIFICATE OF LISTING

Page 3

Void After: February 2016

File No. SP-4370

Product: Suction Fittings

Issued To: Paramount Pool & Spa Systems

MODELS:

Note: ANSI/APSP-16 2011 is the successor standard to ASME A112.19.8-2007 and its addenda ASME A112.19.8a-2008 and ASME A112.19.8b-2009.

MDX² 2-1/2"
SDX
SDX Retro
MDX-R3 US
MDX-R3 AU
MDX-R3 EU

Flange Addendum

MDX² 2-1/2"
Concrete XXX-202-2210-XX [3]
Vinyl XXX-212-2210-XX [3]
One-Piece Low XXX-222-2210-XX [3]
Retro Concrete Vinyl Fiber XXX-202-2221-XX [3]

[3] Maximum flow rate: 90 gpm floor

SDX
Concrete XXX-162-2212-XX [1]
Vinyl XXX-172-2212-XX [1]
Fiberglass XXX-182-2212-XX [1]
Retro XXX-192-2212-XX [1]
Retro Vinyl XXX-159-2212-XX [1]
Retro Equalizer XXX-157-2212-XX [1]

[1] maximum flow rate:

192 gpm wall
200 gpm floor

MDX-R3 US
Concrete Adjustable XXX-262-2240-XX [4]
Concrete non Adjustable XXX-262-2243-XX [4]
Vinyl XXX-272-2240-XX [4]
Fiber XXX-282-2240-XX [4]

MDX-R3 AU
Concrete Adjustable XXX-262-2241-XX [4]
Concrete non Adjustable XXX-262-2244-XX [4]
Vinyl XXX-272-2241-XX [4]
Fiber XXX-282-2241-XX [4]

NESPA ENTERPRISES INC.

2800 Richter Ave. Ste. C Oroville, CA 95966

Office: (530) 534-9910 Fax: (530) 534-9915

E-Mail: jjm@tiledspas.com Web Site: www.tiledspas.com



SCALE

N/A

DWG NAME

BERKELEY SPORTS CLUB

DATE

11/5/2015

DWG TYPE

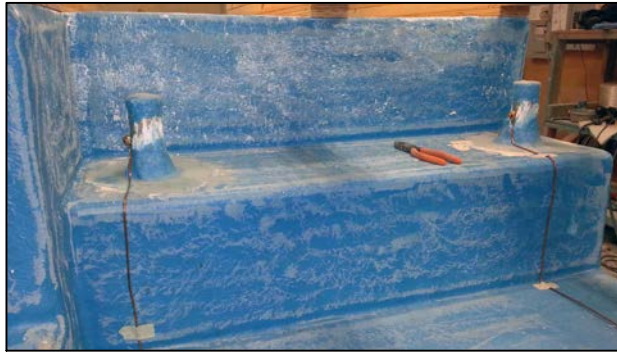
Sidewall Drain (2)

SHEET

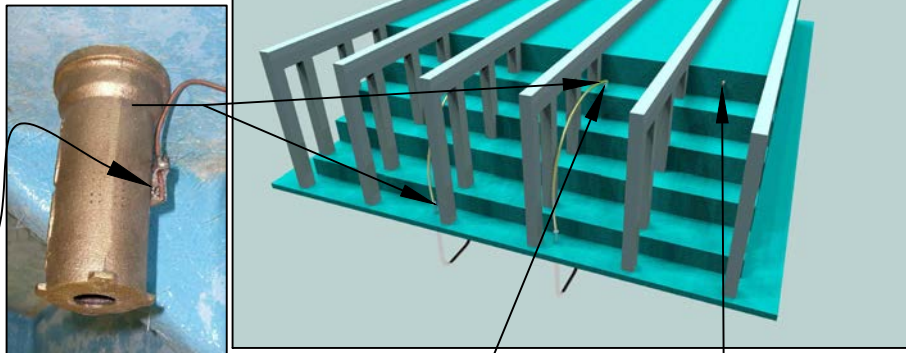
PAGE 10 OF 12

These are Submittals, not Design Drawings.
Structural spa content by **NESPA ENTERPRISES INC.**,
Concepts & Layout by owner.

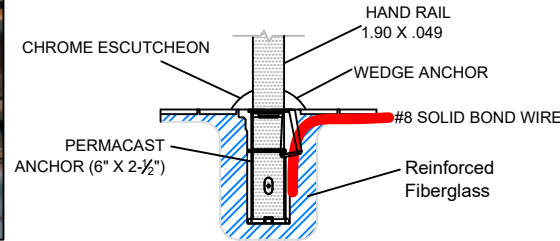
BONDING DETAIL



Typical Cup Anchor

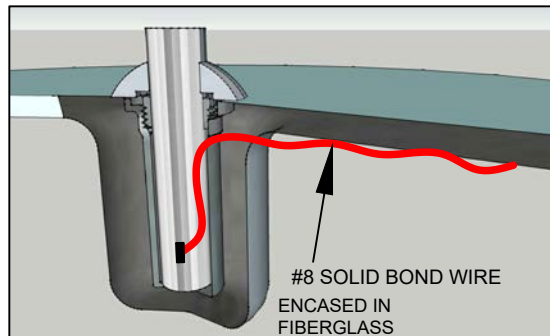


TYPICAL NESPA SHELL CUP Anchor Installation



NOTE:
 DETAIL REFLECTS ANCHOR INSTALLATION IN NESPA SHELLS ONLY.
 CUP ANCHOR SHALL BE BONDED WITH A SOLID #8 COPPER BOND WIRE AND VERIFIED BY A CALIFORNIA LICENSED ELECTRICAL CONTRACTOR.
 BOND WIRE WILL BE ENCASED AND COVERED IN FIBERGLASS TO PREVENT WATER LEAKAGE THRU SHELL.
 BOND WIRE SHALL EXIT AT EDGE OF SPA AND ATTACH TO DECK BONDING GRID.

1 Anchor Detail



PERM-Cast Swimming Pool Products
 1871 Aspen Circle • Pueblo, Colorado 81008 • Phone 719-544-0544

PS-6019-BC
 6 Inch Big Boy Socket

| Parts List | |
|------------|--------------------------|
| QTY | Description |
| 1 | PS-6019-BC Socket Bronze |
| 1 | PW-4C Wedge |
| 1 | Stainless Steel Washer |
| 1 | 5/16-18 X 1-3/4" SS Bolt |
| 1 | 10-24 X 3/8" Brass Screw |

- 6" Deep Socket
- Accommodates 1.90" OD Tubing
- Uses PW-4C Wedge
- Includes Wedge, Washer, Bolt and Bonding Screw

SUBMITTAL

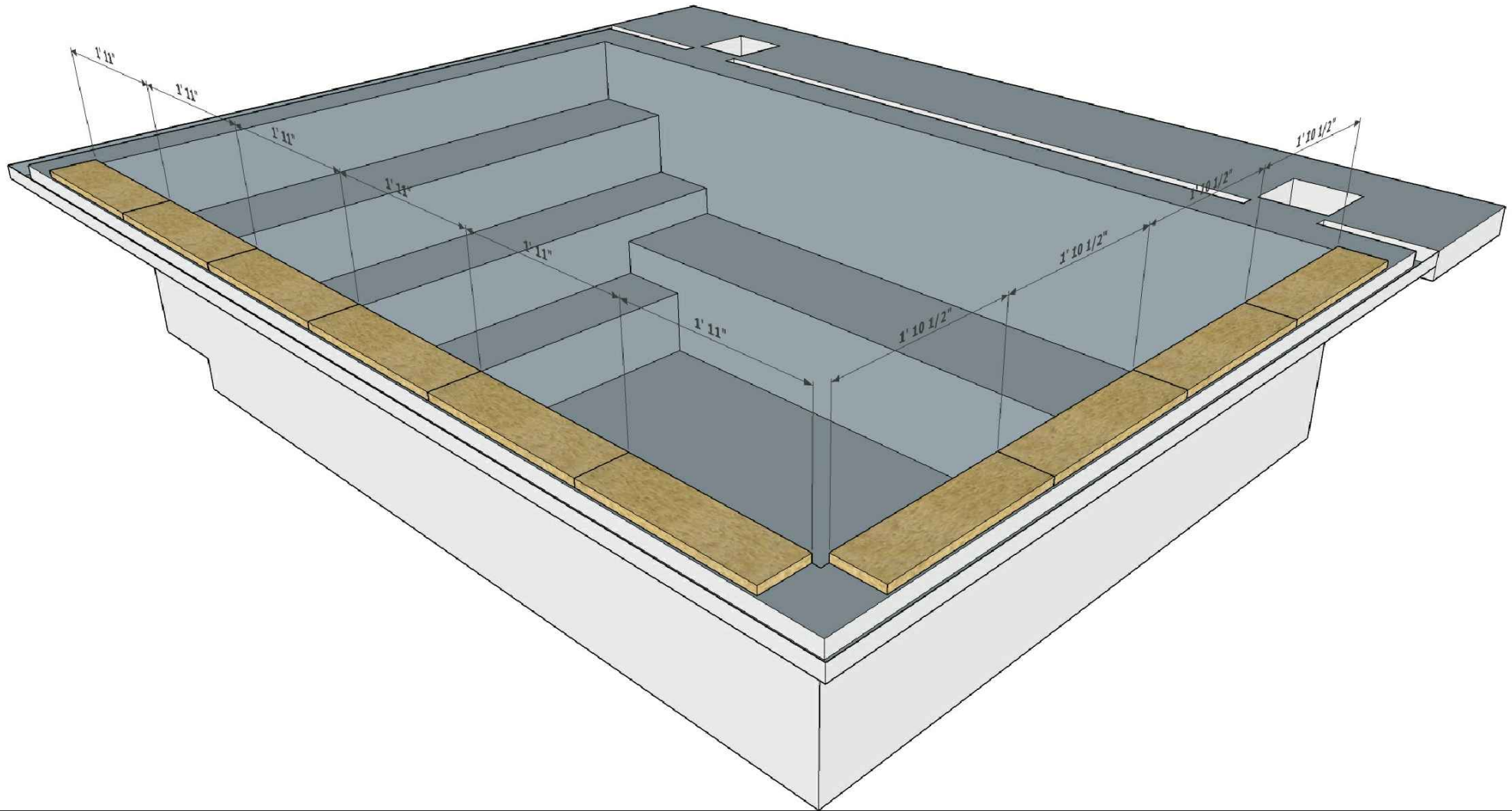
ALL DIMENSIONS SUBJECT TO 1/4" TOLERANCES

These are Submittals, not Design Drawings.
 Structural spa content by **NESPA ENTERPRISES INC.**,
 Concepts & Layout by owner.

NESPA ENTERPRISES INC.
 2800 Richter Ave. Ste. C Oroville, CA 95966
 Office: (530) 534-9910 Fax: (530) 534-9915
 E-Mail: jim@tiledspas.com Web Site: www.tiledspas.com



| | | | |
|----------|----------------------|----------|----------------|
| SCALE | N/A | DWG TYPE | Bonding Detail |
| DWG NAME | BERKELEY SPORTS CLUB | DATE | 11/5/2015 |
| | | SHEET | PAGE 11 OF 12 |



Long Side Coping =
 23" Long
 12 Pieces

Short Side Coping =
 22-1/2" Long
 8 Pieces

These are Submittals, not Design Drawings.
 Structural spa content by **NESPA ENTERPRISES INC.**
 Concepts & Layout by owner.

NESPA ENTERPRISES INC.
 2800 Richter Ave. Ste. C Oroville, CA 95966
 Office: (530) 534-9910 Fax: (530) 534-9915
 E-Mail: jim@tiledspas.com Web Site: www.tiledspas.com



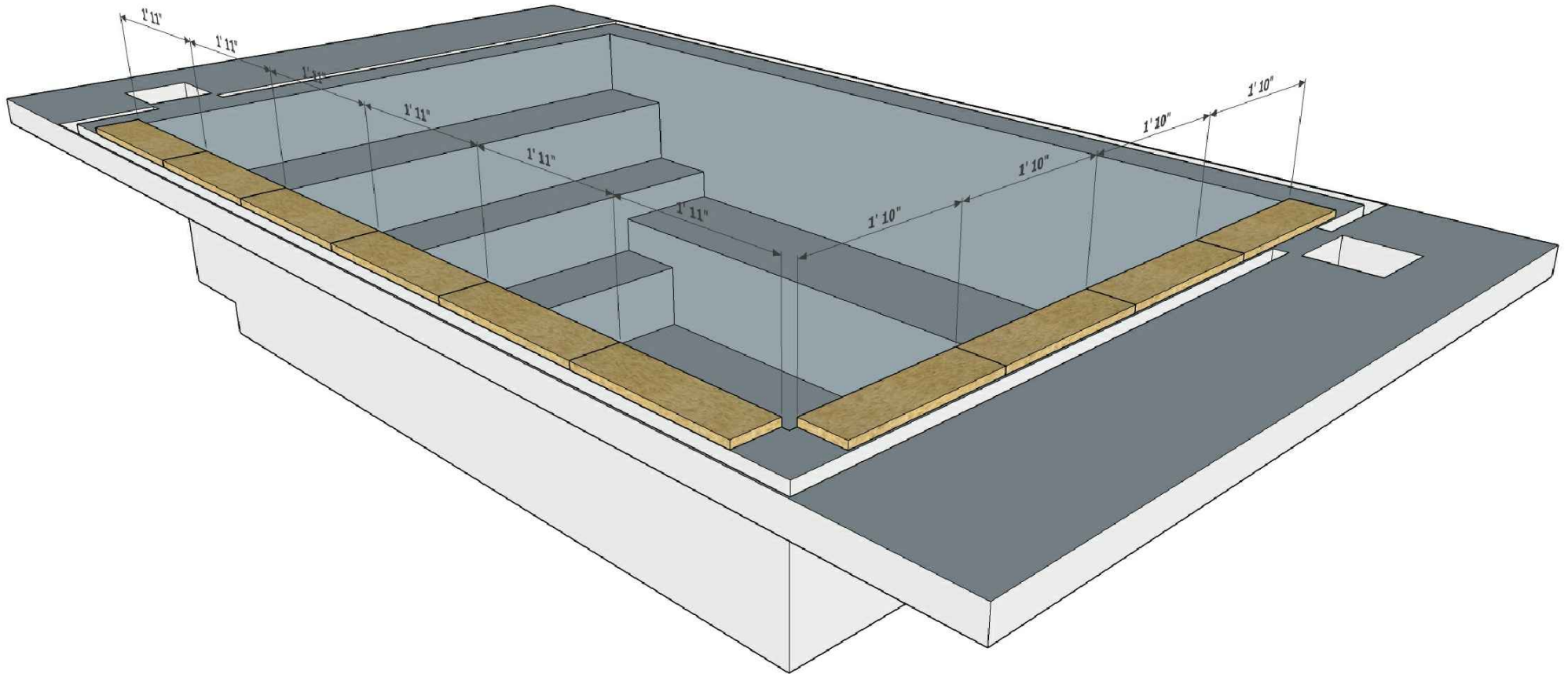
SCALE N/A

DWG NAME BERKELEY SPORTS CLUB

DATE 11/5/2015

DWG TYPE Womens Coping

SHEET PAGE 1 OF 1



Long Side Coping =
23" Long
12 Pieces

Short Side Coping =
22" Long
8 Pieces

These are Submittals, not Design Drawings.
Structural spa content by **NESPA ENTERPRISES INC.**
Concepts & Layout by owner.

NESPA ENTERPRISES INC.
2800 Richter Ave. Ste. C Oroville, CA 95966
Office: (530) 534-9910 Fax: (530) 534-9915
E-Mail: jim@tiledspas.com Web Site: www.tiledspas.com



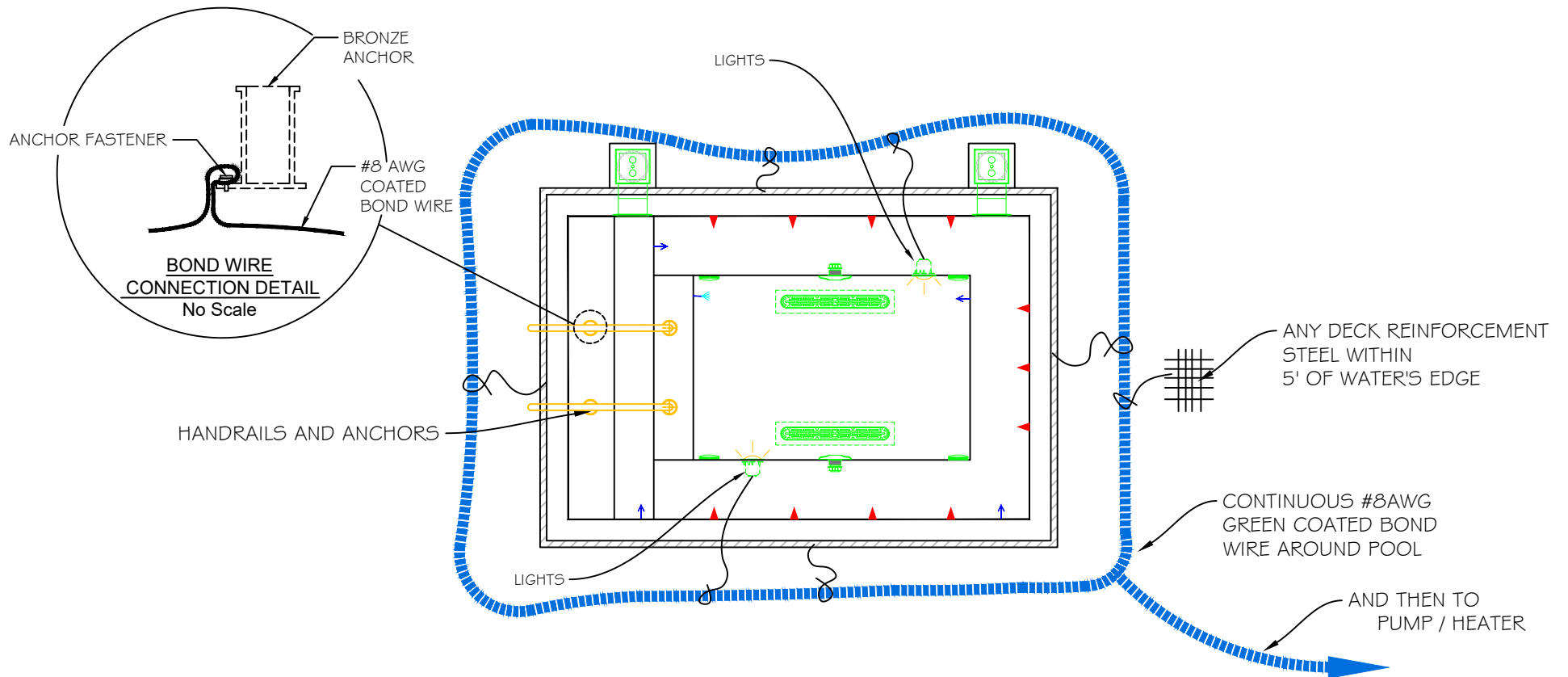
SCALE N/A

DWG NAME BERKELEY SPORTS CLUB

DATE 11/5/2015

DWG TYPE Mens Coping

SHEET PAGE 1 OF 1



TYPICAL BONDING DETAIL

1. INSTALL PER CAL. ELEC CODE 2010, SECTION 680 REQUIREMENTS
2. USE #8 COATED TAILS OFF BOND LOOP TO EQUIPMENT AND STEEL NOT IMMEDIATELY ADJACENT TO BOND LOOP

SUBMITTAL

ALL DIMENSIONS SUBJECT TO 1/4" TOLERANCES

These are Submittals, not Design Drawings.
Structural spa content by **NESPA ENTERPRISES INC.**
Concepts & Layout by owner.

NESPA ENTERPRISES INC.
2800 Richter Ave. Ste. C Oroville, CA 95966
Office: (530) 534-9910 Fax: (530) 534-9915
E-Mail: jim@tiledspas.com Web Site: www.tiledspas.com



SCALE N/A

DWG NAME BERKELEY SPORTS CLUB

DATE 11/5/2015

DWG TYPE Bonding Detail (3)

SHEET PAGE 12 OF 12

STANDARD NESPA IN-GROUND INSTALLATION INSTRUCTIONS **SET-UP AND EXCAVATION**

Prerequisites: Before installing your Nespa spa. You may be required to acquire a permit from your local State, County, and City building dept and or Health department. (Commercial jobs need Health Dept. Approval). Your spa installation must comply with the most current codes. (**Uniform Swimming Pool, Spas & Hot Tub Code 2006 (USPC 2006)**).

Spa drawings: Request from Nespa a current spa specific construction detail, plan and section, spa plumbing detail.

Delivery Access: Clearly determine the method of getting the spa to jobsite and into the hole. This may require the use of a crane, forklift, hoist, backhoe and/or manpower etc.

- 1) The following instructions are general guidelines and may not apply to your specific jobsite conditions. When excavating for your spa remember to provide for plumbing and light connection clearances. In order to determine how to excavate for your spa or swim spa, measure spas outside dimension (O.D.) and add minimum 3” to all sides. This 3” clearance is to accommodate jet and suction plumbing. This 3” clearance can change or be reduced upon request. Note: skimmer location, this area may have to be larger than 3”, if commercial 22”.
- 2) **Freeze Climates-** If the spa is place into a vault (typical of freeze climates) a standard 18” or more of clearance minimum from spa perimeter should be provided. This dead air space is for possible future access to spa plumbing in case of a freeze. Area drain is mandatory. **Ask your local installer** for his experienced opinion. Do not hesitate to call us because we want to be sure that your installation progresses as smoothly as possible. If you have questions call us. (888) 479-4677.
- 2) **Hole depth** is determined by spa’s outside height dimension. This height may vary depending if spa has skids or no skids. The spa lip may be finished or non- finished. How is the perimeter deck elevation transitioning to the spa? Focus on the finish surrounding deck elevations, thickness of the finish material on spa upper horizontal lip, equal to lip or under the spa lip. This material can be tile, stone, concrete or brick.
- 3) **Preplumb** the spa before it goes into the hole. If there are needs for electrical , bonding or control conduits run them as well before dropping in hole. Connect bond wire to niche would be best.
- 4) **Spa should sit on level 3 ½” thick reinforced concrete pad. Sweep debris off pad prior to dropping in hole.**
- 5) **Install spa** into the hole on top of concrete pad. Use the Eye bolts provided for crane, forklift etc. rigging. Do not hold onto pipes. Use caution with suction and jet plumbing when lowering into hole. **DO NOT STRESS FITTINGS!** Fill Spa with water and check for leaks prior to backfill.

- 6) **Check site reference** points for proper spa positioning (i.e., squaring to house, garage, etc.).
- 7) **Shim to level spa.** Shim with non-compression able material. Re square to house, or ref. point.
- 8) **Dry pack** with cement the gaps that have been created when shimming spa level.
- 9) **Connect pipes to tees** if spa is preplumb. Installers properly support your new plumbing from stressing spas preplumb fittings. After electrical conduit and bond wire is connected to light niche, water test spa before back filling with sand.
NOTE: All Nespa products are water tested prior to leaving factory.

ELECTRICAL:

- 1) All electrical connections to spa or equipment should comply with the most recent national electrical code (NEC), state and local codes.
- 2) Connect electrical conduit to light niche. This work should be done or reviewed by a licensed electrician.
- 3) To install spa light you will need to include inside the PVC conduit to the light niche a solid #8 coated copper wire. (If you are use brass conduit, internal bond wire is not required.) This bond wire should be pulled with the light cord at the same time. This bond wire needs to be attached to the internal bonding lug of the light niche. An approved encapsulate should be applied to bond wire connection in niche.
- 4) An external #8 copper wire shall be connected to the external bonding lug on the rear of the light niche. This copper wire can then be used for additional bonding requirements (i.e., handrails or any other metallic object within 5' of the spa.

PLUMBING:

- 1) **When plumbing a Nespa it is important to properly size the plumbing. We highly recommend that you follow the pump manufacturer's pipe sizing requirements and Uniform Swimming Pool, Spas & Hot Tub Code 2006 (USPC 2006). This code book is available at www.JAPMO.org or (909) 472 4100.**
- 2) The jet air venturi should be a Hartford loop design adjacent to spa shell and air entry point can be located next to spa or remotely at equipment.
- 3) Fill spa with water and test the system for leaks PRIOR to backfilling with sand.

SAND BACK FILL:

- 1) **With water in spa, back-fill around spa perimeter with dry plaster sand and wet wash with hydraulic attachment to hose. Let set for one hour and hydraulic dry again. Be sure water level in spa is at the highest level. Any questions please call us. (888) 479-4677.**
- 2) **If spa is free standing on elevated deck or a structure, it is important to fill spa with water and load area prior to installing coping or perimeter decking. If spa is installed in a vault situation a area drain is needed.**

NESPA ENTERPRISES INC.

2800 Richter Ave. Suite E

Oroville, CA 95966

Office: (888) 479-4677 Fax: (530) 534-9915

E-Mail: nespa@pacbell.net www.tiledspas.com

IN-GROUND

INSTALLATION

ALL DIMENSIONS SUBJECT TO 1/4" TOLERANCES

SCALE: 1/2" = 1'-0"

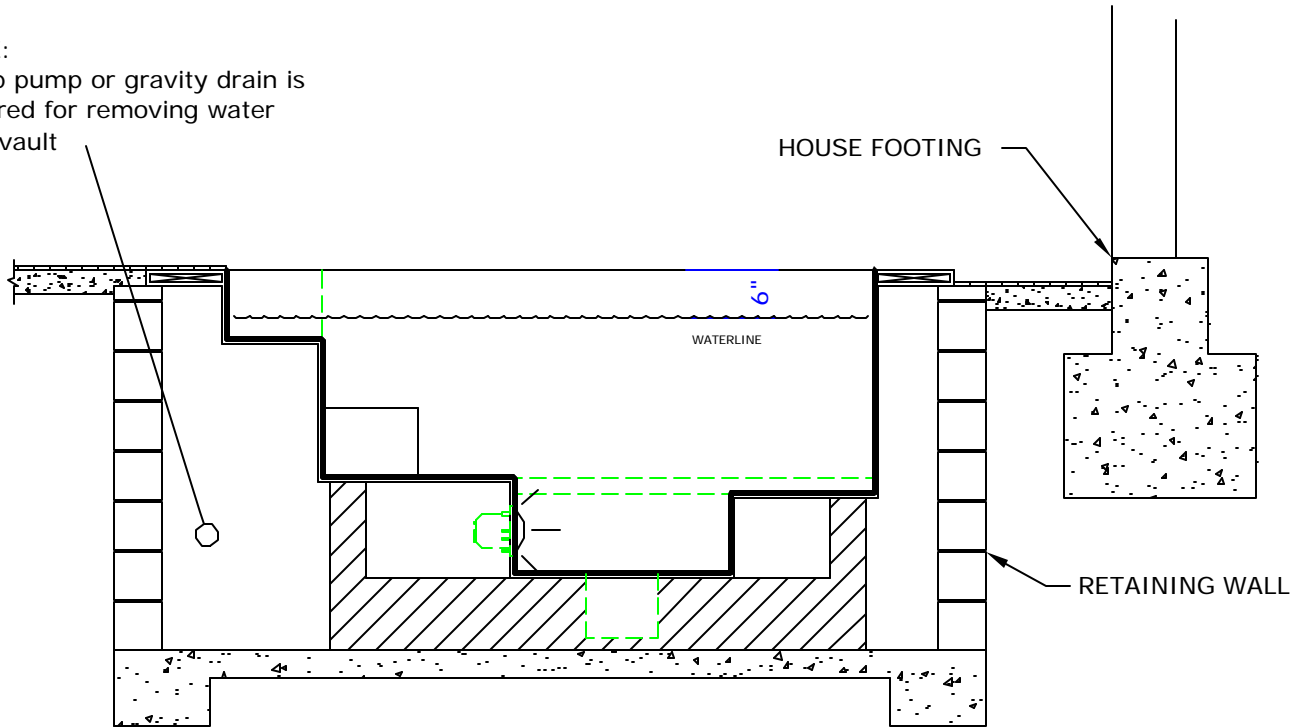
DATE: 3/27/02

JOB : STANDARD INSTALL

DW #: SI-1, SI-2

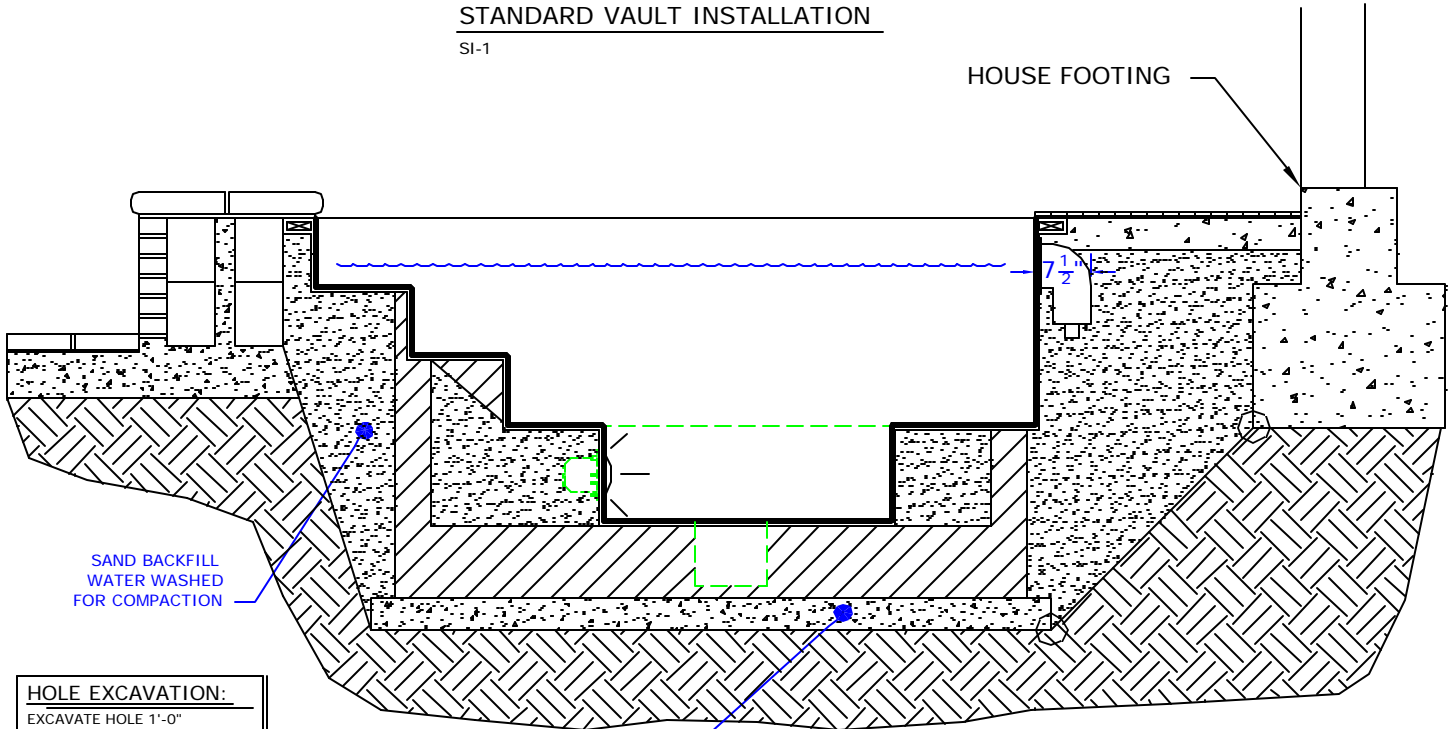
NOTE:

Sump pump or gravity drain is required for removing water from vault



STANDARD VAULT INSTALLATION

SI-1



HOLE EXCAVATION:

EXCAVATE HOLE 1'-0" LARGER THAN THE OUTSIDE DIAMETER (OD) OF SPA

4" CONCRETE SLAB REINFORCED WITH #10 MESH

STANDARD INGROUND INSTALLATION

SI-2

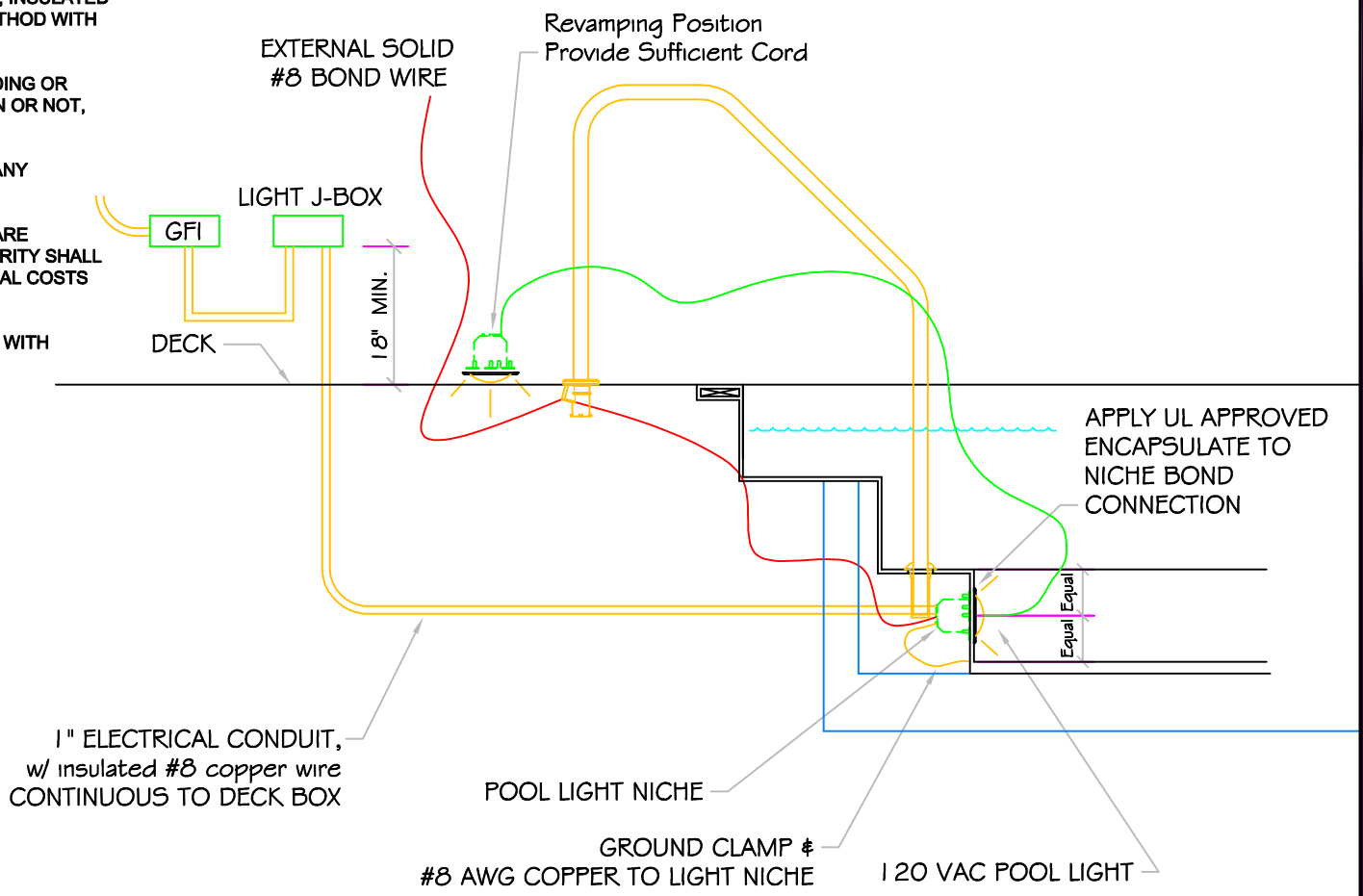
NOTE:

Footing can not surcharge spa. Slope from bottom of slab to nearest corner of house footing must not exceed 1" = 1".

POOL BONDING REQUIREMENTS:

1. THE FOLLOWING PARTS SHALL BE BONDED TOGETHER AND CONNECTED TO THE COMMON BONDING GRID.
 - A. ALL THE METALLIC PARTS OF THE POOL STRUCTURE INCLUDING COPING STONES, DECK, PERMANENT PLAY STRUCTURES, PERMANENT EXERCISE STRUCTURES.
 - B. ALL METAL FITTINGS WITHIN OR ATTACHED TO THE POOL STRUCTURE
 - C. METAL PARTS ASSOCIATED WITH THE POOL WATER CIRCULATING SYSTEM, INCLUDING PUMPS, FILTERS, AND HEATERS.
 - D. METAL PARTS ASSOCIATED WITH POOL COVERS
 - E. METAL SHEATHED CABLES AND RACEWAYS, METAL PIPING AND ALL FIXED METAL PARTS WITHIN 5 FEET HORIZONTALLY OF INSIDE WALLS OF POOL AND WITHIN 12 FEET ABOVE MAXIMUM WATER LEVEL OF POOL.
 - F. METAL PARTS ASSOCIATED WITH OBSERVATION STANDS, TOWERS, PLATFORMS, AND DIVING STRUCTURES.
2. BONDING CONDUCTORS SHALL BE MINIMUM #8 SOLID COPPER, INSULATED E.C. SHALL COORDINATE APPROVED CONNECTOR TYPE AND METHOD WITH LOCAL ELECTRICAL AND/ OR POOL INSPECTOR.
3. SPECIFIC MANUFACTURER'S INSTRUCTIONS REGARDING BONDING OR GROUNDING OF POOL EQUIPMENT, WHETHER INDICATED HEREIN OR NOT, SHALL BE STRICTLY FOLLOWED.
4. THE COMMON BONDING GRID SHALL NOT BE CONNECTED TO ANY ELECTRICAL DISTRIBUTION EQUIPMENT.
5. ANY PARTS IN ADDITION TO THOSE DESCRIBED HEREIN THAT ARE INDICATED BY POOL CONTRACTOR OR LOCAL INSPECTION AUTHORITY SHALL BE BONDED TO THE COMMON BONDING GRID WITH NO ADDITIONAL COSTS INCURRED BY THE OWNER.
6. THE ELECTRICAL CONTRACTOR SHALL COORDINATE BONDING WITH GENERAL CONTRACTOR.

LIGHT DETAIL



ALL DIMENSIONS SUBJECT TO 1/4" TOLERANCES

These drawings, concepts, and details contained herein are the original proprietary designs of NESPA ENTERPRISES, developed over many years of experience in the pool and spa industry and as such are protected by the copyright laws of the United States Government. Reproduction of any of the above without written permission to do so by NESPA ENTERPRISES, is illegal.

NESPA ENTERPRISES INC.
 2800 Richter Ave. Ste. C Oroville, CA 95966
 Office: (530) 534-9910 Fax: (530) 534-9915
 E-Mail: sales@tiledspas.com Web Site: www.tiledspas.com



| | | |
|--------------------|---------------------|----------------------|
| SIZE A | DWG NAME DETAILS | DWG TYPE Detail |
| SCALE 1/2" = 1' | DATE 7/24/2008 | SHEET PAGE 1 OF 1 |

NESPA ENTERPRISES, Inc. LIMITED WARRANTY

This LIMITED WARRANTY covering NESPA products is extended to the ORIGINAL PURCHASER-USER BY NESPA ENTERPRISES Inc.(NESPA), 2800 Richter Ave. Unit C California 95966.

NESPA products are thoroughly inspected and tested prior to factory shipment. NESPA warrants to the ORIGINAL PURCHASER-USER that NESPA Spas and Swim Spas will be free of defect in workmanship, accessories and parts, provided said accessories and parts were manufactured by NESPA. NESPA, under this LIMITED WARRANTY, warrants only that its Spas and Swim Spas shall be structurally sound, shall retain their shape, and shall retain water for the warranty period. NESPA warrants the adhesion of tile to fiberglass for a period of three (3) years and structural soundness for ten (10) years. NESPA warrants epoxy grout adhesion for a period of three years. If any such defects appear and are reported within the warranty period, NESPA shall repair or replace such defective parts without charge if an inspection proves the claim.

The provisions of the LIMITED WARRANTY shall not apply to tile cracked, split, chipped or damaged after the product has left the factory, nor damage to tile caused by freezing nor to damage, defect, malfunction or failure to conform with the above warranty provisions where the damage, defect, malfunction or failure to conform was caused during shipment or by distributor or by unreasonable use by ORIGINAL PURCHASER-USER including improper water balance and improper sand pack or support.

This LIMITED WARRANTY shall not apply to any plumbing, equipment, or installation of spas and Swim Spas and shall not apply to any alterations made to or upon NESPA products except alterations made by NESPA employees or NESPA authorized representatives.

This LIMITED WARRANTY is expressly in lieu of all other warranties expressed or implied including the warranties of merchantability and fitness for use and all other obligations or liabilities on NESPA'S part, and NESPA neither assumes nor authorizes any other person to assume for NESPA any other liability in connection with the sale of this NESPA product. This LIMITED WARRANTY shall not apply to this NESPA product or any part thereof which has been subject to accident, negligence, alteration, abuse or misuse. NESPA makes no warranty whatsoever with respect to accessories or parts not manufactured by NESPA.

The term "ORIGINAL PURCHASER-USER" as used in this LIMITED WARRANTY shall be deemed to mean that person for whom the NESPA product is originally installed.

The LIMITED WARRANTY provided herein and the obligations and liabilities of NESPA hereunder are exclusive and are in lieu of, and buyer and original PURCHASE-USER hereby waive all other remedies, warranties, guarantees or liabilities, expressed or implied, arising by law or otherwise (including without limitation and obligations of NESPA with respect to fitness, merchantability, and consequential damages) or whether or not occasioned by NESPA'S negligence.

This LIMITED WARRANTY shall not be extended, altered or varied except by a written instrument signed by NESPA and original PURCHASER-USER.