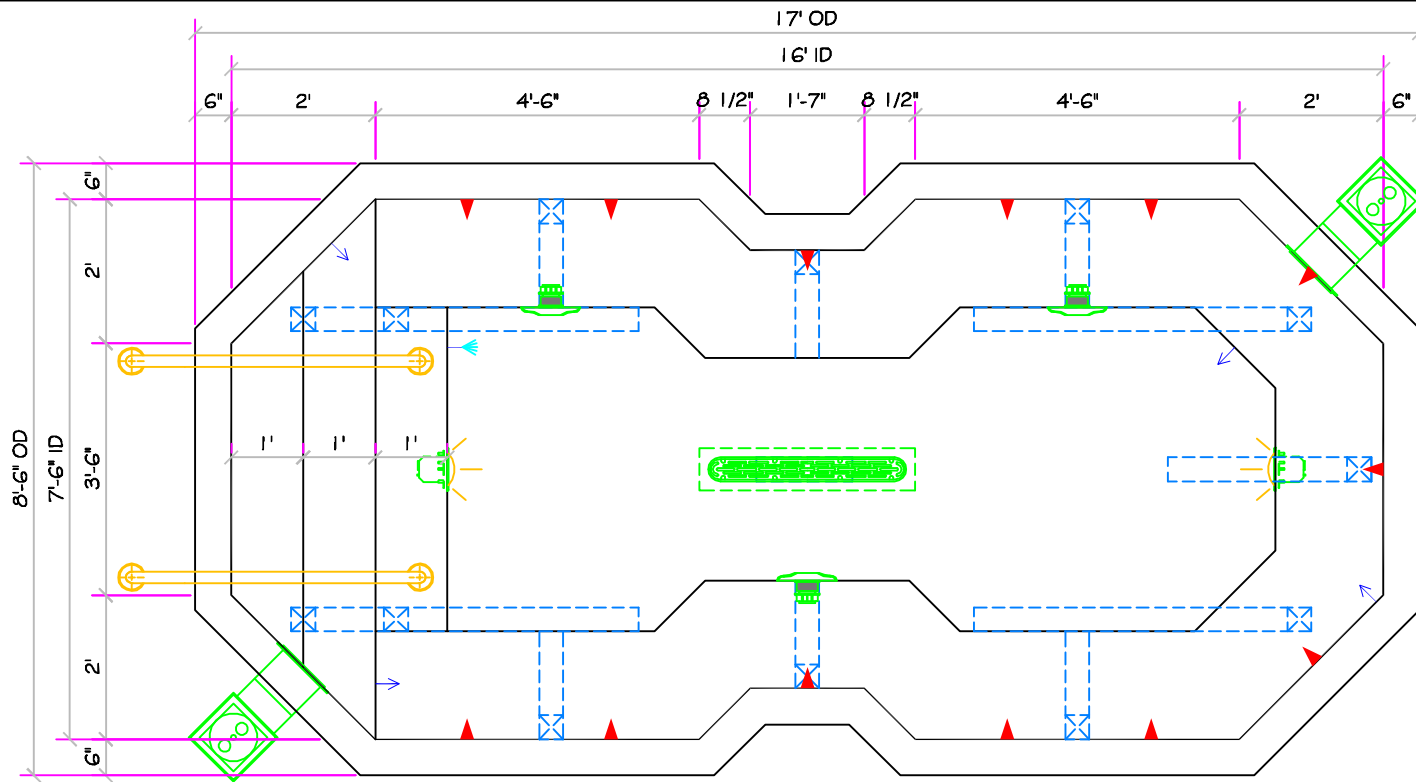


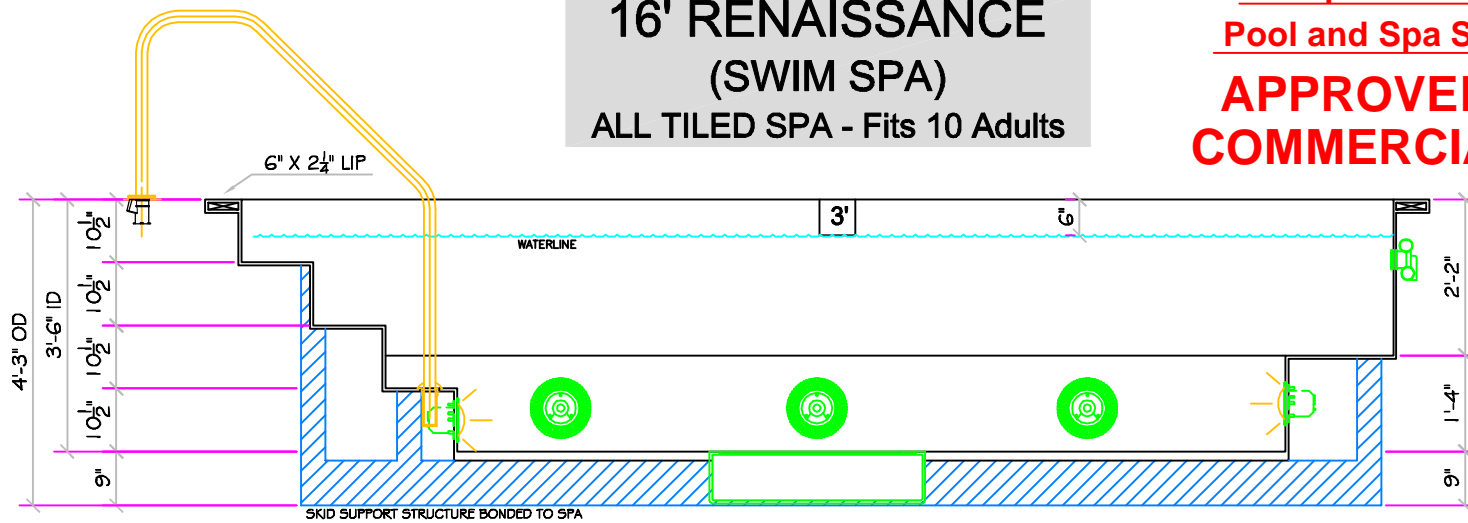
SPECIFICATIONS	
DRY WEIGHT:	3100 LBS.
TOTAL WEIGHT:	21185 LBS.
WATER:	2169 GAL.
VOLUME:	290 Cu.Ft.
WEIGHT:	18085 LBS.
SURFACE AREA:	109 SQ. FT.
IAPMO#:	1138
FDA#:	2030305

SKID SUPPORT STRUCTURE* BONDED TO SPA	
	*SKIDS SUPPLIED BY NESPA
LIGHT NICHE	
	SPA BRIGHT - 120 V, 100 WATT, 50' CORD, UL APPROVED
SKIMMER	
	HAYWARD SP-1084FVE SURFACE SKIMMER W/ EQUALIZER, NSF APPROVED
MAIN DRAIN	
	AquaStar 32CDFLFR, 32" Channel Drain, Approved Max Flow Rate: Floor = 236 GPM @ 3.4 fpm, Wall = 136 GPM @ 1.9 fpm, V.G.B Approved Safety Drain
SIDEWALL SUCTION	
	Paramount SDX 10" HIGH FLOW SAFETY DRAIN, Area of Opening = 43.201 in ² , Velocity @ 200 GPM = 1.485 fpm, V.G.B Approved Safety Drain
JET	
	HYDRO INLETS, 1-1/2" WATER - 1-1/2" AIR, HYDROAIR #10-3500, COMPLIES W/ ANSI CODE ASME A112.19.8-07, UL APPROVED
RETURN	
	INLET FITTINGS, 1-1/2" WALL TYPE W/EYEBALL, HYDROAIR #10-3500, COMPLIES W/ ANSI CODE ASME A112.19.8-07, UL APPROVED
FILL	
	INLET FITTINGS, 1-1/2" WALL TYPE W/EYEBALL, HYDROAIR #10-3500, COMPLIES W/ ANSI CODE ASME A112.19.8-07, UL APPROVED



**16' RENAISSANCE
(SWIM SPA)
ALL TILED SPA - Fits 10 Adults**

*** Complies with V.G.B.
Pool and Spa Safety Act
APPROVED FOR
COMMERCIAL USE**



ALL DIMENSIONS SUBJECT TO 1/4" TOLERANCES

Feb 03, 2009 - 4:17pm

These drawings, concepts, and details contained herein are the original proprietary designs of NESPA ENTERPRISES, developed over many years of experience in the pool and spa industry and as such are protected by the copyright laws of the United States Government. Reproduction of any of the above without written permission to do so by NESPA ENTERPRISES, is illegal.

NESPA ENTERPRISES INC.
2800 Richter Ave. Ste. C Oroville, CA 95966
Office: (530) 534-9910 Fax: (530) 534-9915
E-Mail: sales@tiledspas.com Web Site: www.tiledspas.com



SIZE A	DWG NAME NESPA_MASTER_MODELS
------------------	--

DWG TYPE SD (LA)

SCALE 3/8" = 1'	DATE 2/3/2009	SHEET PAGE 1 OF 1
------------------------	----------------------	--------------------------