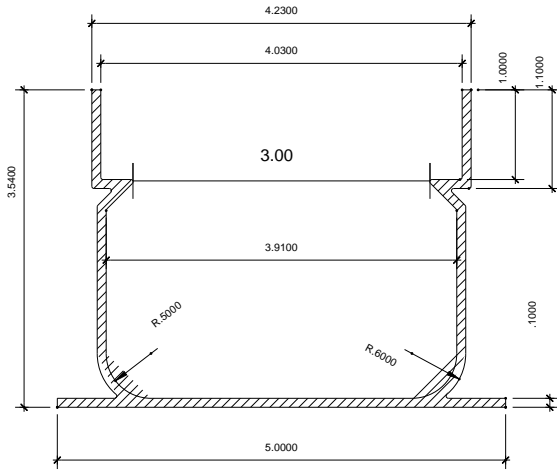
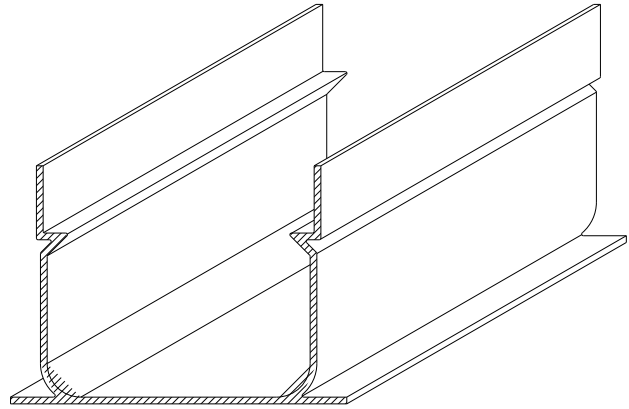


DECK TRENCH DRAIN 4" WIDE

STRAIGHT AND RADIUS(DOWN TO 4 FEET)



END VIEW



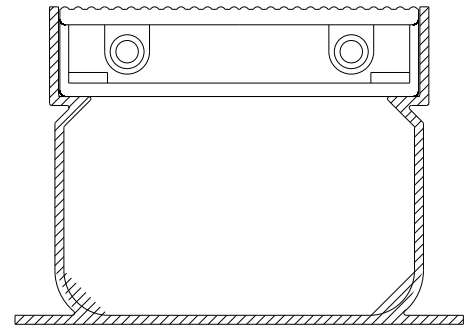
DECK DRAIN BASE

GUIDE SPECIFICATIONS

4" DECK DRAIN BASE made of extruded, U.V. stabilized, rigid PVC. An open section of 4.03" at the top with an initial depth of 1.0", and having a ledge on each side of approximately 0.50" for a grate to sit on. The bottom section of the drain to be 4.0" wide. Overall depth of 3.5". The underside of the base with an overall width of 5.0" with protrusions to give stability and enable anchoring down prior to pouring the cement/gunite. Protrusions to ensure the drain is embedded into the concrete/gunite. Each section to be joined using a male PVC sleeve of the same shape and secured with standard PVC glue. The base comes in 10' lengths. 90 degree corners, 45 degree corners, special corners, Tee sections, end caps, down sections with 1 1/2", 2", or 3" PVC couplings, and end adapters with 1 1/2" or 2", or 3" PVC couplings are also available. Deck drain radii can be produced down to a 4 foot radius.

As manufactured by Lawson Aquatics (800)897-6160

COLOR: WHITE



EXAMPLE

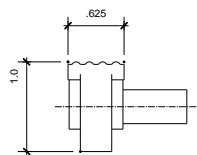
DECK DRAIN GRATE

4.0" "T" BAR SIZE

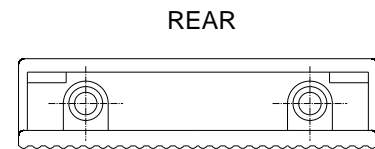
Modular, interlocking pieces of PVC, U.V. stabilized grating. The top surface shall have a raised design to create good friction, wet or dry, and be 5/8" wide with a depth of 1.0". The space between the pieces shall not exceed 1/4". Each piece of grate shall have a slotted hole at the ends for insertion of a stainless steel fastener clip and anchor screws at least every 3 feet and shall be easily removable. Grating surface bars shall run perpendicular to the line of trench and with the gap, provide at least 25% open space per foot for unrestricted water flow. The color of the grate shall be _____.

As manufactured by Lawson Aquatics (800)897-6160

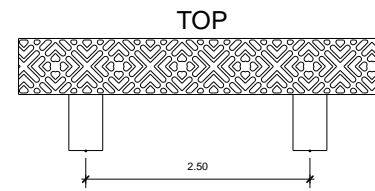
COLORS: WHITE, BONE, TAN, GREY, AND BLACK



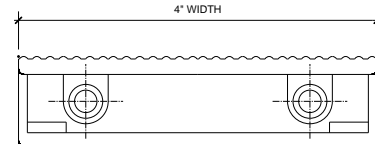
END



REAR



TOP



FRONT

All drawing dimensions supplied by Lawson Aquatics Inc. website are for reference only. All CAD files were created using AutoCAD file (*.dwg.) and were posted on the website as a service to our customers using AutoCAD. Errors sometimes occur during this process and with software incompatibility upon opening a file. Lawson Aquatics Inc. and/or any authorized distributor of our products will not be held responsible for problems arising from files which have been converted and does not warrant the documents against deficiencies or typographical errors of any kind. We recommend that all measurements are verified with actual physical product before any custom fabrication in the field occurs.

REVISED	BY	JMS
	DATE	12/06/2010
DRAWING CODE	DTD-04-SR	