

Who makes it simple. Who makes it easy?  
**COVERSTAR**



**ECLIPSE™**

**PARTS  
CATALOG**

**Apr. 2014**

# CONTENTS

## VINYL LINER POOLS

### 1. Underguide Systems

Underguide - Mechanism .....	4
Underguide - Lid Options.....	19
Underguide - Guides, Guide Packages and Guide Hardware.....	26
Underguide - Encapsulation.....	28
Underguide - Radius Corners.....	33
Underguide - Leading Edge Support Extensions and Sliders.....	35
Underguide - Coping, Box and Lid Forming .....	37
Underguide - Cover.....	58
Underguide - Leading Edge Tubes and Adapters.....	60
Underguide - Polymer Housing and Mounting Kits .....	62

### 2. Recessed Topguide Systems

Recessed Topguide - Mechanism.....	4
Recessed Topguide - Lid Options.....	41
Recessed Topguide - Guides, Guide Packages and Guide Hardware.....	45
Recessed Topguide - Wheel Assemblies and Sliders .....	49
Recessed Topguide - Cover.....	58
Recessed Topguide - Leading Edge Tubes and Adapters.....	60
Recessed Topguide - Polymer Housing and Mounting Kits .....	62

### 3. Deckmount Systems

Deckmount - Mechanism .....	50
Deckmount - Guides, Guide Packages and Guide Hardware .....	45
Deckmount - Wheel Assemblies and Sliders.....	47
Deckmount - Housings.....	57
Deckmount - Cover .....	58
Deckmount - Leading Edge Tubes and Adapters .....	60

## GUNITE/FIBERGLASS POOLS

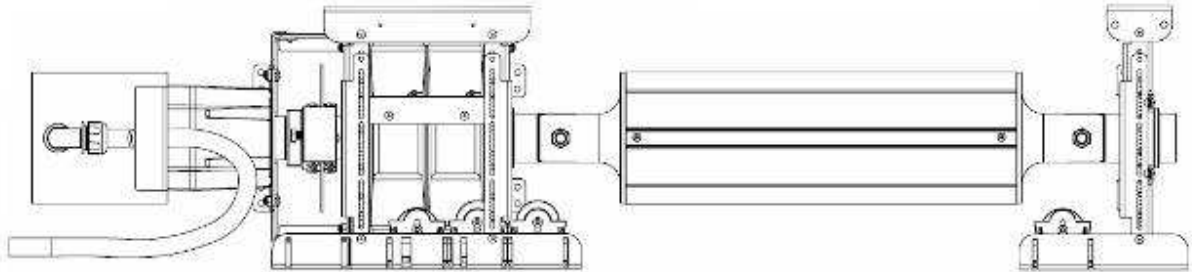
### 4. Underguide Systems

Underguide - Mechanism .....	4
Underguide - Lid Options.....	19
Underguide - Guides, Guide Packages and Guide Hardware.....	26
Underguide - Encapsulation.....	28
Underguide - Leading Edge Support Extensions and Sliders.....	35
Underguide - Coping, Box and Lid Forming .....	37
Underguide - Cover.....	58
Underguide - Leading Edge Tubes and Adapters.....	60
Underguide - Polymer Housing and Mounting Kits .....	62

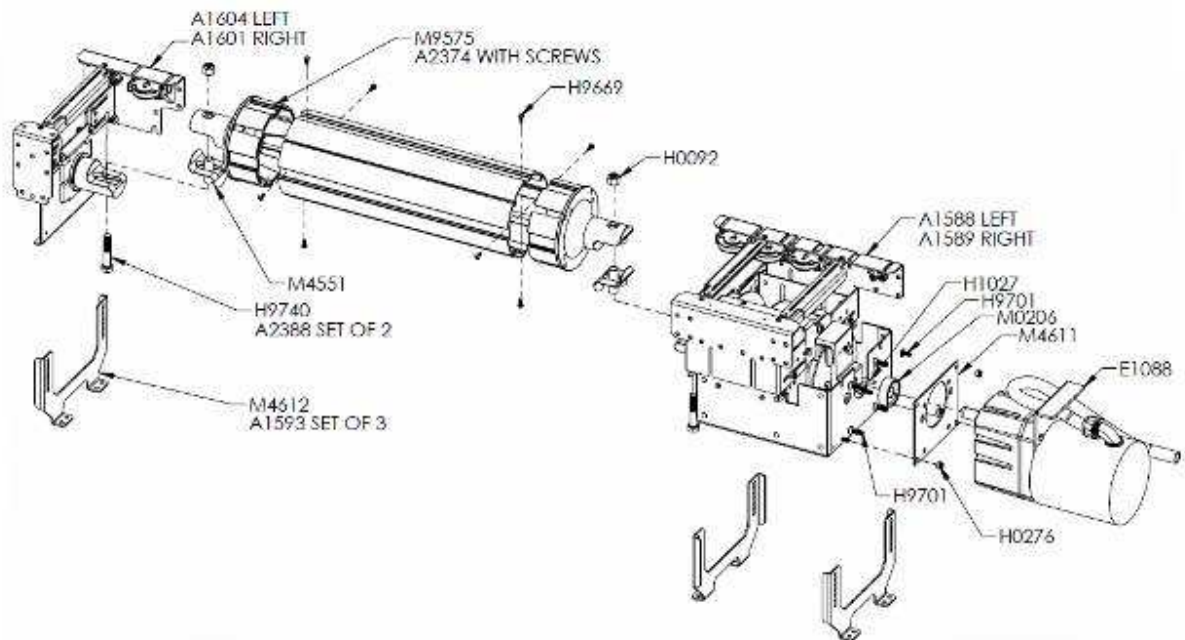
Gunite/Fiberglass Pools Continued:

<b>5. Recessed Topguide Systems</b>	
Recessed Topguide - Mechanism.....	4
Recessed Topguide - Lid Options.....	42
Recessed Topguide - Guides, Guide Packages and Guide Hardware.....	46
Recessed Topguide - Wheel Assemblies and Sliders .....	48
Recessed Topguide - Cover.....	58
Recessed Topguide - Leading Edge Tubes and Adapters.....	60
Recessed Topguide - Polymer Housing and Mounting Kits .....	62
<b>6. Deckmount Systems</b>	
Deckmount - Mechanism .....	51
Deckmount - Guides, Guide Packages and Guide Hardware .....	46
Deckmount - Housings.....	57
Deckmount - Cover .....	58
Deckmount - Leading Edge Tubes and Adapters .....	60
<b>7. APPENDIX .....</b>	<b>65</b>
<b>Literature .....</b>	<b>65</b>
<b>Product Samples .....</b>	<b>66</b>
<b>Box Perimeter &amp; Forming Diagrams .....</b>	<b>68</b>
<b>Slider Identification .....</b>	<b>69</b>

## 1.1. Mechanism



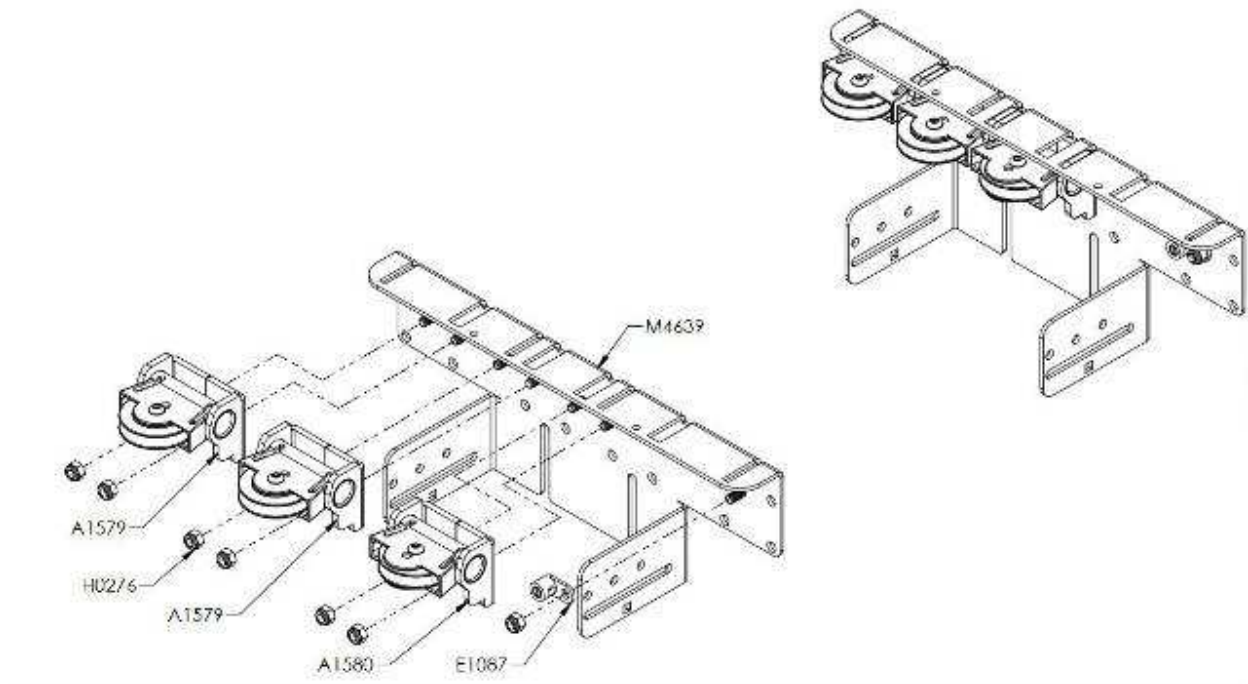
Coverstar mechanisms are typically ordered as part of a complete cover system using an online or manual order form. The mechanism consists of motor end and non-motor end assemblies as well as a roll up tube along with all necessary mounting hardware. This section contains the mechanism options available as well as common replacement parts.



## ECLIPSE UNDERGUIDE MECHANISM ASSEMBLY

Part Number	Description
A1505	Rope Reel Assembly with shifting gears for UG/RT right and Deck left (Eclipse 2012)
A1506	Rope Reel Assembly with shifting gears for UG/RT left and Deck right (Eclipse 2012)
A1583	Eclipse 3 pulley bracket assembly UG/RT Right
A1584	Eclipse 3 pulley bracket assembly UG/RT Left
A1587	Rope Reel Brake assembly Eclipse
A1593	Mechanism mounting feet Set of 3 with hardware for Eclipse
A1601	NME assembly Eclipse RT/UG RIGHT
A1604	NME assembly Eclipse RT/UG LEFT
A1866	2 pk - Nut nylock 1/2-13 SS (H0092)
A1971	Torque limiter assembly (Eclipse 2012) Model C (caliper style)
A2374	Tube Insert/Cone for 6 inch tube Die Cast Aluminum w/ screws 708
A2388	2 Pk. Bolt HH 1/2-13 x 2 1/2 SS (H9740)
E1088	Motor Assembly 3-wire 41 RPM 3/4 HP 2006 model
H0092	Nut nylock 1/2-13 SS
H0150	Screw PPMS 10-32 X 5/8
H0276	Nut Nylock 1/4-20
H1027	Key 3/16 sq. X 1 in. Motor shaft steel STD
H1076	Pem Stud 1/4-20 x 1-1/4 in
H9669	Screw PPMS self tapping 10-32 x 5/8 in. S.S.(type F)
H9701	Screw PFMS undercut 1/4-20 x 5/8 SS (Mounts motor to bracket Eclipse)
H9740	Bolt HH 1/2-13 x 2 1/2 SS
M0206	Spacer Motor shaft UHMW (Black) STD
M4611	Motor Mounting Face Plate (Eclipse)
M4612	System mounting foot (Eclipse)
M4626	Cross Brace with Holes (Eclipse)
M4627	Cross Brace with Slot (Eclipse)
M4641	ME Upper mechanism water side bracket (Eclipse)
M9175	Insert Cone for 6 inch tube Die Cast Aluminum A413 Clear Anodized 708

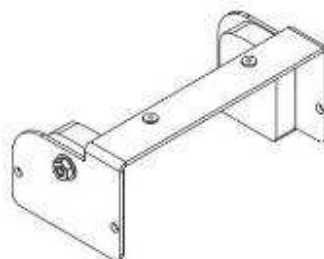
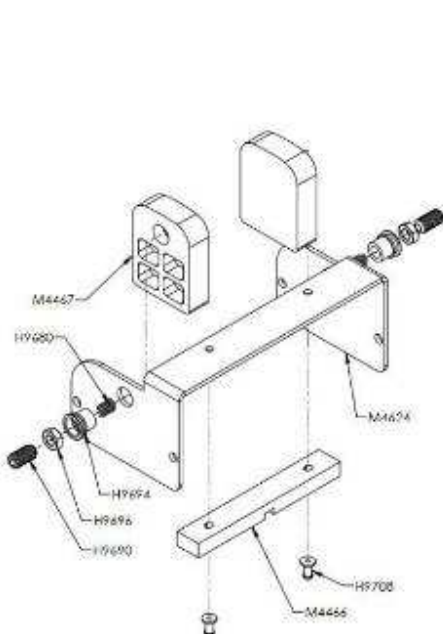
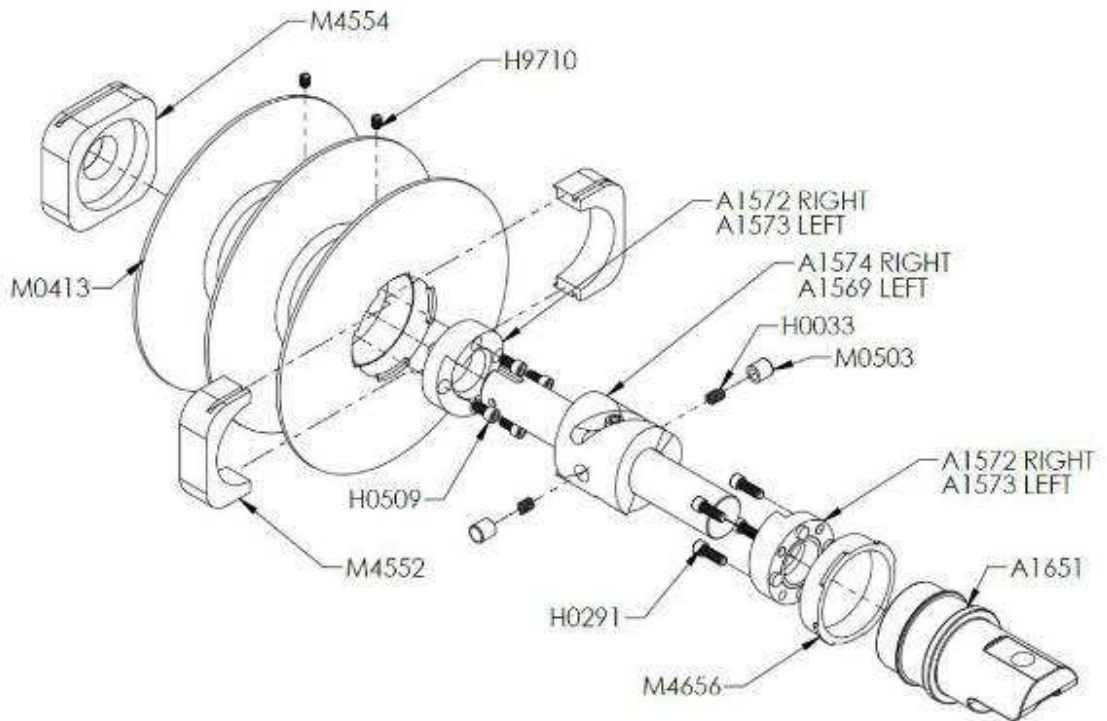
## Eclipse 3 Pulley Bracket Assembly



### ECLIPSE THREE PULLEY BRACKET

Part Number	Description
M4638	Bracket pulley holder half with indent (Eclipse)
M4637	Bracket pulley holder half with tab (Eclipse)
M4639	Mechanism 3 pulley bracket with top slots (Eclipse)
H0276	Nut Nylock 1/4-20
H9678	Pulley 2 inch diameter stainless steel
A1579	Pulley Assembly for Mechanism Forward position Eclipse
A1580	Pulley Assembly for Mechanism Rear position Eclipse
M9922	Pulley Housing Casting for Eclipse Mechanism enclosed 2 position
H9692	Socket button head cap screw 1/4-20 x 1 SS

# ECLIPSE ROPE REEL AND BRAKE ASSEMBLY

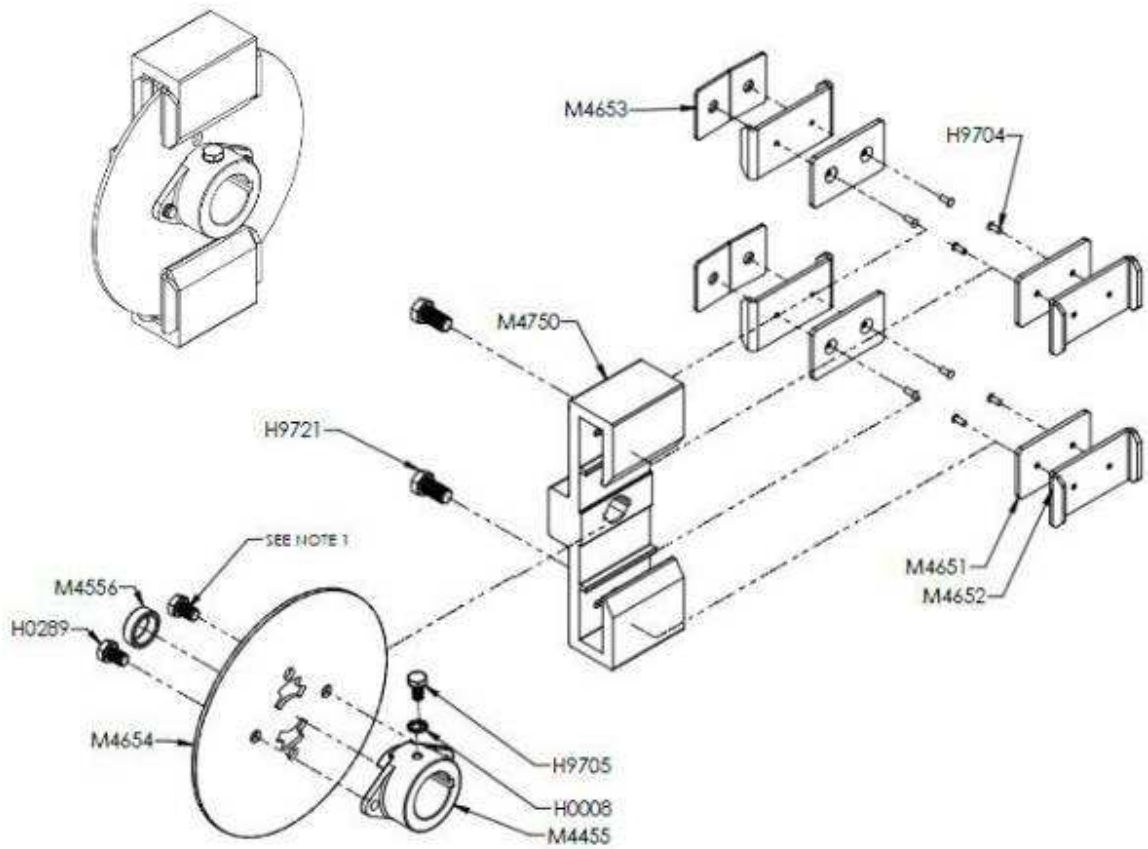


## Eclipse Rope Reel and Brake Assembly

Part Number	Description
H9680	Brake spring for Rope Reel .312 O.D. x .53 long x .051 wire SS
M4656	Bushing UHMW with tabs for SS rope reel
A1569	Drive shaft assembly, shaft, double dog, drive pins LEFT used on UG/RT right and Deck left system (eclipse)
A1574	Drive shaft assembly, shaft, double dog, drive pins RIGHT used on UG/RT left and Deck right system (eclipse)
M4554	Plastic Shaft Bushing (Eclipse)
M4624	Rope containment and brake bracket (Eclipse)
M4466	Rope Containment Block (Eclipse)
M4467	Rope Reel Brake Block (Eclipse)
H0291	Screw socket head 1/4-20 x 3/4 (Holds rope reel gear in place)
H9710	Set Screw 1/4-20 x 3/8 in. slot drive cup point SS
M0503	Shifting caps Delrin STD (go in double gear-dog) EA
A1572	Shifting gear w/Bronze bushing Single Dog RIGHT (Eclipse) for UG/RT left and Deck right
A1573	Shifting gear with Bronze bushing Single Dog LEFT (Eclipse) for UG/RT right and Deck left
H0033	Spring shifting (fits in double dog) STD
H9694	Threaded rivet nut 3/8-16 aluminum
M0413	Eclipse Rope Reel 430 SS cast
M4552	Eclipse Split Cone bushing UHMW
H0509	Screw socket head 1/4-20 x 1/2 (Holds rope reel gear in place, Eclipse 2012)
A1651	ME cone with Bronze Bushing (Eclipse 2012)



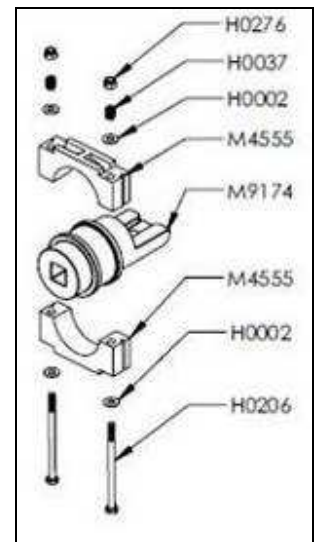
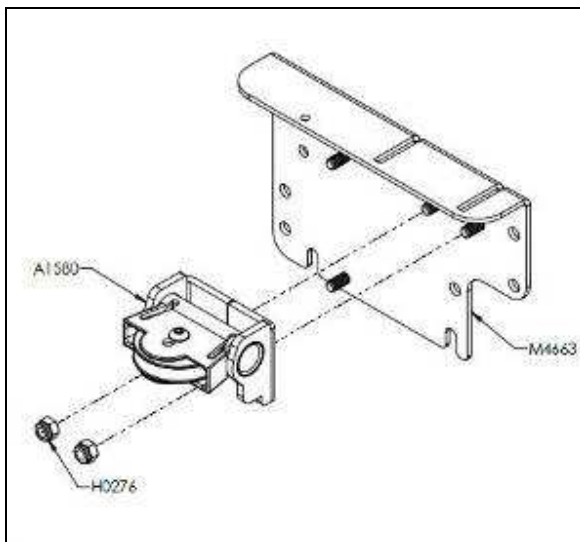
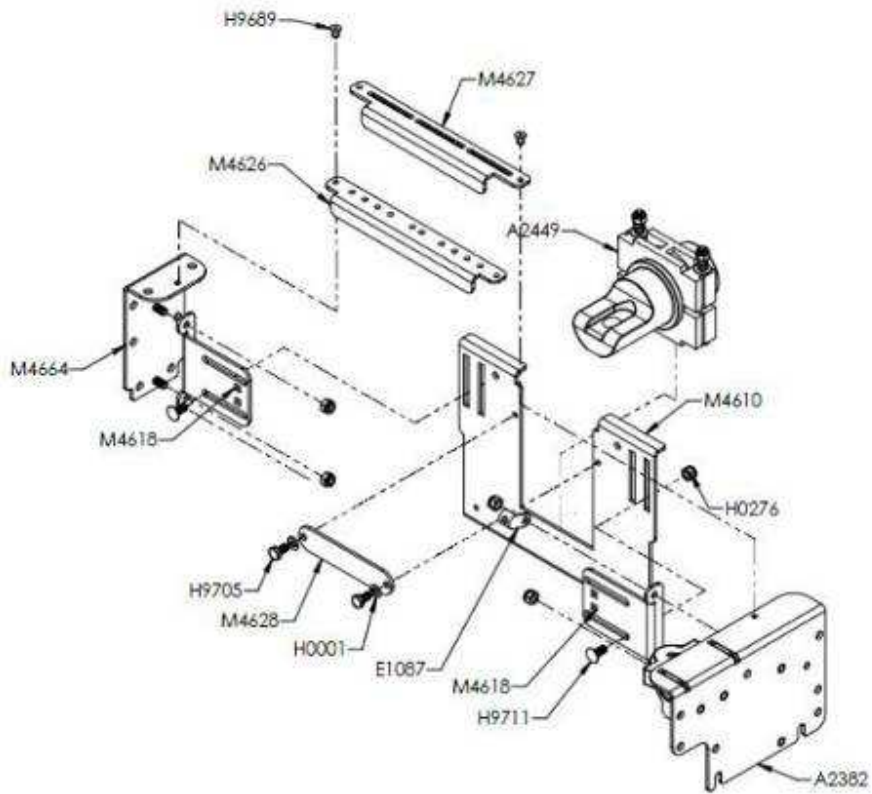
## Eclipse Caliper Torque Limiter



## ECLISPE CALIPER TORQUE LIMITER

Part Number	Description
H0008	Washer star 1/4 id. External teeth
H9721	Bolt HH 3/8-24 x 3/4 SS with nylon patch
M4651	Torque limiter friction pad 1/8 inch for caliper style TL
M4652	Torque limiter backing plate for caliper style TL
M4653	Torque limiter spring plate for caliper style TL
M4654	Torque limiter rotor plate for caliper style TL
H9705	Bolt HH 1/4-20 x 1/2 in SS
H0289	Bolt HHMS 5/16-18 x 1/2 SS
M4750	Torque Limiter Caliper for Eclipse ver. 2012
M4455	Eclipse Cast torque limiter hub

## Eclipse Non Motor End Assembly



## ECLIPSE NME ASSEMBLY

Part Number	Description
A1580	Pulley Assembly for Mechanism Rear position Eclipse
A2381	Bracket Assembly 1 pulley NME Eclipse UG/RT Right
A2382	Bracket Assembly 1 pulley NME Eclipse UG/RT Left
A2449	NME cone and brake assembly single bolt Eclipse 708
H0002	Washer flat 1/4 in SS
H0037	Spring brake NME : spring S-312 .375 od. x .265 id. x .50
H0150	Screw PPMS 10-32 X 5/8
H0176	Nut nylock 10-32
H0206	Bolt HH 1/4-20 x 4
H0276	Nut Nylock 1/4-20
H9678	Pulley 2 inch diameter stainless steel
H9692	Socket button head cap screw 1/4-20 x 1 SS
H9705	Bolt HH 1/4-20 x 1/2 in SS
H9711	Carriage bolt 1/4-20 x 5/8 SS
M4555	NME Brake Block (Eclipse)
M4610	NME Main U bracket (Eclipse)
M4618	NME Width adjustment bracket (Eclipse)
M4627	Cross Brace with Slot (Eclipse)
M4628	NME Brake hold down bracket (Eclipse)
M4637	Bracket pulley holder half with tab (Eclipse)
M4638	Bracket pulley holder half with indent (Eclipse)
M4642	Bracket NME pulley short LEFT (Eclipse)
M4662	NME 1 Pulley bracket with top slots (Eclipse) RIGHT
M4663	NME 1 Pulley bracket with top slots (Eclipse) LEFT
M4664	NME Water side mounting bracket (Eclipse) for quick-mount
M9574	NME cone for Eclipse Die Cast A413 Clear Anodized ver. 312
M9922	Pulley Housing Casting for Eclipse Mechanism enclosed 2 position
H0001	Washer split lock 1/4 in
E1087	Bonding Lug Copper L70 (2 wire)

## Electric Motors

To distinguish between the two motors, the HD motor will have a colored tape on the conduit and "HD" etched on the handle.

CS Part #	Description
A1839	Motor & housing 3 wire w/ Eclipse motor mounting bracket
A0712	Motor & housing 3 wire 30 rpm HEAVY DUTY w/ Eclipse motor mounting bracket
E1088	Motor Assembly 3-wire 41 RPM 3/4 HP 2006 model
E1028	Motor Assembly 3-wire 30 RPM HEAVY DUTY 2006 model

A1839



## Hydraulic Motors

To distinguish between the motors, the 6 cubic inch motor will be 5 3/4in long with each larger motor increasing by 1/4 in incrementally.

CS Part #	Description
A0698	Hydraulic Motor 8 cu in 30 rpm sqft > 800 w/hardware to mount to mechanism
A0699	Hydraulic motor 10 cu in SQFT > 2000 w/hardware to mount to mechanism
A0700	Hydraulic motor 12 cu in (Special order only) w/hardware to mount mechanism

A0701



## Hydraulic Power Pack

CS Part #	Description
A2851	Hydraulic power pack 220 v 2011 model complete

A2851



## Torque Limiter & Hydraulic Motor Coupler

CS Part #	Description
A1938	Torque limiter Assembly (Eclipse) Model C (caliper style)
A1848	Hydraulic motor coupler assembly for Eclipse

A1938



A1848



## Brakes

The motor end brake assembly is to put resistance on the rope reel. The Non-motor end brake is to put resistance on the roll up tube.

CS Part #	Description
A1587	Brake assembly CS1800 motor end
M4555	NME Brake Block (Eclipse)

A1587



M4555



## Shifting Gears (Dogs)

The shifting gears are identified by a red or black mark.

Red= Deck right and Underguide left

Black= Deck left and Underguide right

CS Part #	Description
A1569	Drive shaft assembly, shaft, double dog, drive pins LEFT used on UG/RT right and Deck left system (eclipse)
A1574	Drive shaft assembly, shaft, double dog, drive pins RIGHT used on UG/RT left and Deck right system (eclipse)
A1572	Shifting gear w/Bronze bushing Single Dog RIGHT (Eclipse)

A1574



A1572

	for UG/RT left and Deck right
A1573	Shifting gear with Bronze bushing Single Dog LEFT (Eclipse) for UG/RT right and Deck left



### Rope Reel Assemblies & Gear Conversion Kits

CS Part #	Description
A1575	Rope Reel assembly with shifting gears for UG/RT right and Deck left (Eclipse)
A1576	Rope Reel assembly with shifting gears for UG/RT left and Deck right (Eclipse)
A2383	Eclipse Conversion Kit to UG/RT Right (includes rope reel and pulley brackets)
A2384	Eclipse Conversion Kit to UG/RT Left (includes rope reel and pulley brackets)

A1575



A2384



### Water Side Mechanism Bracket

This will be the pulley bracket on the mechanism which is closest to the water.

CS Part #	Description
M4641	ME Upper mechanism water side bracket (Eclipse)

M4641



### 3 Pulley Brackets

This is the pulley bracket that is furthest away from the water.

CS Part #	Description
A1583	Eclipse 3 pulley bracket assembly UG/RT Right
A1584	Eclipse 3 pulley bracket assembly UG/RT Left

A1584



### Non Motor End Pulley Brackets

This is the pulley bracket for the non-motor end.

A2381

CS Part #	Description
A2381	Bracket Assembly 1 pulley NME Eclipse UG/RT Right
A2382	Bracket Assembly 1 pulley NME Eclipse UG/RT Left



### Mechanism Ends Only

These parts do not include the motor.

A1589

CS Part #	Description
A1588	Mechanism Eclipse RT or UG LEFT
A1589	Mechanism Eclipse RT or UG RIGHT



### Non Motor End Assemblies

CS Part #	Description
A1604	NME assembly Eclipse RT/UG LEFT
A1601	NME assembly Eclipse RT/UG RIGHT

A1601



### Roll-Up Tubes

The size of roll up tube necessary may vary. See your local Coverstar dealer to determine which tube should be used.

X0001

CS Part #	Description
X0015	Tube 4 in aluminum per ft
X0679	Tube 5 in aluminum .078 wall 40 ft
X0001	Tube 6 in Aluminum STD per ft
X0066	Tube 6 in aluminum HD .083 wall per ft
X0016	Tube 8 in aluminum per ft
X0673	Roll-up Tube 6 inch extruded clear anodized 20 ft. length
X0672	Roll-up Tube 6 inch extruded clear anodized 28 ft. length



X0673



## Drive Cones

These cones attach to the roll up tube on the motor and non-motor ends.

CS Part #	Description
A1661	ME cone with Bronze bushing installed
A2449	NME cone and brake assembly single bolt Eclipse 708
A2373	Eclipse Tube cone July08 and adapter assembly ea

A2373



A1661



A2449



## Tube Inserts & Cones

Tube inserts are used to attach the mechanism and non-motor end to the roll up tube.

CS Part #	Description
A0436	Tube insert w/screws for 4 in tube
A1159	Tube insert w/screws for 5 in tube
A2374	Tube Insert/Cone for 6 inch tube Die Cast Aluminum w/ screws 708
A2375	Tube Insert/Cone for HD Tube Die Cast Aluminum w/ screws 708
A0799	Tube insert w/screws for 6.083 in HD tube
A0352	Tube insert w/screws for 8 in tube EA

A0436



A2374



A0352





## Hardware

CS Part #	Description
A2370	Box mechanism hardware ECLIPSE RT, UG includes mounting hardware, etc. (Electric) July 08
H9678	Pulley for .280 rope 2 inch diameter stainless steel
A1600	Extended mounting foot SET of 3 with hardware (Eclipse)
A1593	Mechanism mounting feet Set of 3 with hardware for Eclipse
A1843	Eclipse bracket extension kit (no extended feet) up to 20in box
A2371	Box mechanism hardware ECLIPSE RT, UG and D includes mounting hardware, video ect. (Hydraulic)July08
D0039	Hydraulic hose synflex per ft STD
D0040	hydraulic hose fitting for sinflex female JIC STD
D0047	Hydraulic Power Pack Dipstick

A2370



H9678



A1600



A1843



D0040



D0047



## Electrical Controls

CS Part #	Description
A0605	Key switch Leviton assembly complete w/light STD
E1046	Key switch Leviton Key only (ES105) Set of 2 keys
A1282	Control box with contactors for 3 wire motor
A0585	Feature Control Assembly
E0447	Limit switch sensor for CIRCUIT BOARD (Black) N.O. Hamilton 59145-010 (Use w/ Magnet E0452) STD (Used with circuit board)
E1075	Limit switch sensor for CIRCUIT BOARD (Black) N.C. Hamlin 59145-040 (Use w/ Magnet E0452)
E0452	Limit switch magnet for CIRCUIT BOARD ( Use Sensor E0447) STD
A1365	Rotary limit switch assembly (Rotational counter used for water feature shutoff)
A2469	Touch Pad Switch
A2463	Touch pad with WiFi
A2529	Wireless Touch Pad with Host Touch Pad
A2524	Wireless Touch Pad with Feature Control

A0650



A1282

A0521



E0447



E0452



A1365



A2469



A2463



A0585



## 2.0. Underguide System Options

### 2.1. Lids

Coverstar provides a range of lids for any application. Our lids range from a standard aluminum lid which is screwed down to the deck, to flush deck and flat lids, and for custom applications we have walk on and Heavy Duty brackets that can be used with our trays. Tray lids are a metal base to support any type of masonry in order to match the pool, coping, and deck. Our flush deck and flat lids can be converted to a walk on lid with additional brackets. See your local dealer for questions on brackets.

#### Standard Aluminum Lid for Underguide Systems

This lid is only available in clear aluminum and is screwed down to the deck.

CS Part #	Description
X0004	Lid aluminum (11 in) STD per ft
X0121	Lid aluminum motor end/non-motor end per ft
X0943	Lid hinge aluminum 8 inch - 24 feet
X0659	Lid aluminum non-motor end per ft
A1784	Lid hinge attachment hardware kit

X0004



X0121/ X0659



X0943



## Flush Deck Lid for Underguide Systems

Flush deck lids are installed before the deck is poured. When the deck is finished the lid should be flush with the deck. (Only available in painted grey) You will also need to order a descender kit with this lid to allow the lid to match the coping and provide a nice finished look.

CS Part #	Description
A2420	Lid kit only for 14 in box flush lid 309 complete with riser 24 ft.(No Box or C Cap - Order part A1752 if no profile)
A2421	Lid kit only for 12 5/8 in box flush lid 309 complete with riser 24 ft.(No Box or C Cap - Order part A1752)
A2422	Lid kit only for 15 1/2in box flush lid 309 complete with riser 24 ft.(No Box or C Cap)
X0048	Lid Panel Flush (1 in x 6 in) 24 ft length
X0669	Lid Panel Flush (1 in x 7.5 in) 24 ft length
X0944	Flush lid riser 309 - 24 feet GRAY
A2410	Riser Box End Assembly 309 for 14in box
A2412	Riser Box End Assembly 309 for 12 5/8in box
A2413	Riser Box End Assembly 309 for 15 1/2in box
M9354	Riser panel 309 cut to fit coping transition profiles 40in long notch on both ends
A2414	Flush lid 309 hardware kit
A2417	Flush lid 309 extension kit for 12 5/8 in lid PER FT (lid brackets not included)
A2418	Flush lid 309 extension kit for 14 in lid PER FT (lid brackets not included)
A2419	Flush lid 309 extension kit for 15 1/2 in lid PER FT (lid brackets not included)
A2486	Lid bracket extended arm SS with bolt for Hidden LE system with 309 riser panel
A2472	QuickAttach Mechanism Mounting Kit
A2896	Lock assembly for flush lid kit (includes 2 locks)



A2420



X0048



X0669



X0944



A2410



A2486



## Lid Descenders & Transition Pieces for Underguide Systems

Lid descenders are used for the face of the flush deck and flat lids. They are used to match the profile of Coverstar's copings. A no profile descender is used to provide a clean finish to the lid when a Coverstar coping is not used.

CS Part #	Description
A1752	Descender kit NO PROFILE (Metal C-Cap) for flush lid panels up to 20 ft guide space
A1111	Descender Kit BULL NOSE for Flush lid panels up to 22 ft. guide space
A1110	Descender Kit ROUNDED EDGE for Flush lid panels up to 22 ft. guide space
M9261	Coping Transition - joins Bull Nose shaped coping profile to riser
M9141	Coping Transition - joins ROUNDED shaped coping profile to riser
M9267	Coping Transition - joins Cantilever reusable form 1 pc. profile to riser
M9257	Coping Transition - joins Cantilever reusable form 2 pc. profile to riser
M9266	Coping Transition - joins Inclined reusable form 1 pc. profile to riser

A1752



A1111



A1110



M9261



## Flat Lid for Underguide Systems

The flat lid is a hybrid between the standard lid and the flush deck lid. The flat lid is designed to work with cover housings that are 14 inches wide. This lid uses some of the same components as the flush lid but instead of using a riser to hold the lid a hinge is used. This lid is screwed down to the deck but has a smooth border to reduce any sharp edges. You must order brackets separately. (Only available in painted grey)

CS Part #	Description
A2433	Lid kit flat lid 309 for UG 14in box 24ft long(NO BRACKETS order brackets separately)
A2431	Lid kit flat lid 309 for 14in box UG or TG 4ft extension kit
X0048	Lid Panel Flush (1 in x 6 in) 24 ft length
X0939	Flat lid 309 hinge 24 feet
X0940	Flat lid 309 lid panel attachment 24 feet
A2426	Flat lid 309 support end cap SET
A2427	Flat lid 309 lid support assembly LEFT for 14 in box
A2428	Flat lid 309 lid support assembly RIGHT for 14 in box
A2429	Flat lid 309 lid support assembly SET for 14 in box
M9363	Flat lid 309 cut cover for 14in box
M9362	Splice for flat hinged lid 309
X0053	Metal Box C-Cap

A2433



X0048



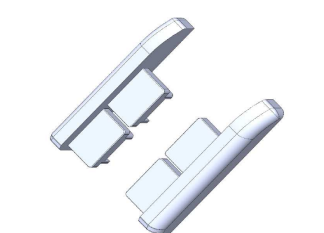
X0939



X0940



A2426



A2427



X0053



M9363



M9362



## Walk on Adjustable Lid Brackets

These brackets are available in aluminum and stainless steel. If a longer bracket is necessary there are extensions that may be used with the bracket.

CS Part #	Description
A2409	Lid bracket with bolt for 309 riser panel (X0944) each SS for 14in box
A2415	Lid bracket with bolt for riser panel 309 (X0944) each SS for 12 5/8in box
A2416	Lid bracket with bolt for riser panel 309 (X0944) each SS for 15 1/2in box
A1931	Lid bracket adj. base with bolt installed SS
M9969	Lid bracket adj. arm only 13 in walk-on SS (no base)
A1932	Lid bracket adj. arm 13 in walk-on & base SS.
A2393	Lid bracket extension KIT 15-17in SS. (use with A1932)
A2364	Lid bracket extension KIT 17-19in SS. (use with A1932)
A2376	Lid bracket extension KIT 19-21in SS. (use with A1932)
A2365	Lid bracket extension KIT 21-23in SS. (use with A1932)
A2392	Lid bracket extension KIT 23-25in SS. (use with A1932)
A1837	Lid bracket adj. base only 7.5 in long w/ spring pin
A1420	Lid bracket adj. with mounting bolt ARM ONLY 13 in Walk-on
A1421	Lid Bracket adj. assembly 13 in arm (Walk on) with 7.5 in base
M9678	Lid bracket adj. base only w/ 2 mounting slots, arm drops in from top, 8 in
A1118	Lid bracket adj. with mounting bolt ARM ONLY 12 in Walk-on
A1157	Lid bracket adj. ARM ONLY 12 in Walk-on w/ rubberized cushion
A1155	Lid bracket adj. ARM ONLY 13 in Walk-on w/ rubberized cushion
X0505	Lid bracket adj. T extension 16 ft. length (2-1/8 in high)
A0506	Lid bracket adj. T extension cut per inch (2-1/8 in high)

A2409



A1932



A2365



A1421



M9678



A1155



M3806

X0511	Lid bracket adj. Flat extension 16 ft. length
A0512	Lid bracket adj. Flat extension cut per inch
M3806	Lid bracket walk-on end 10 in aluminum
M3970	Lid bracket walk-on end 5 in aluminum



### Lid Brackets HD

These steel brackets can be custom made to any length. These brackets also use gussets for added support. **Custom brackets require 1 week to ship.**

CS Part #	Description
A0357	Lid bracket walk-on HD steel 10 in coated with 1/2 in threaded hole
A0053	Lid bracket walk-on HD steel 11 in coated with 1/2 in threaded hole
A0568	Lid bracket walk-on HD steel 11-1/2 in coated with 1/2 in threaded hole
A0149	Lid bracket walk-on HD steel 12 in coated with 1/2 in threaded hole
A0150	Lid bracket walk-on HD steel 13 in coated with 1/2 in threaded hole
A0215	Lid bracket walk-on HD steel 13-1/2 in coated with 1/2 in threaded hole
A0303	Lid bracket walk-on HD steel 14 in coated with 1/2 in threaded hole
A1208	Lid bracket walk-on HD steel 16 in coated with 1/2 in threaded hole
A0151	Lid bracket walk-on HD steel 3/8" thick custom size. Specify size.
A2050	Lid bracket walk-on HD steel 1/2" thick custom size. Specify size.
M3866	Lid bracket walk-on S.S. Specify size (from 15 in to 24 in



M9977



	wide).3/8 in w/ gusset & reinforcing rib 1 wk ship
M3852	Lid bracket walk-on S.S. Specify size (up to 14-1/2 in) 3/8 in No gusset or rib 1 wk ship
M9977	Lid tray support bracket SS Left
M9984	Lid tray support bracket SS Right



## Lid Trays

Lid trays provide an aluminum base with a steel diamond mesh which allows you to attach any type of masonry necessary for the job.

CS Part #	Description
A0189	Lid tray walk-on alum. w/mesh 14 in x 23-3/4 in (side with lip) 1 wk ship
A0229	Lid tray walk-on w/mesh 24 in x 23-3/4 in (side with lip) 1 wk ship
A0230	Lid tray walk-on w/mesh 24 in long x -17-3/4 in(side with lip) 1 wk ship
A0052	Lid tray walk-on w/mesh Custom size Specify dimensions 1 wk ship

A0052



## 2.2. Guide, Guide Packages and Guide Hardware

### Guides and guide packages for Underguide Systems

CS Part #	Description
X0614	Guide UG 403 for detachable rope 21 ft STD (No Mounting holes)
X0674	Guide UG 403 for detachable rope 21 ft BRONZE
X0820	Guide UG 403 for detachable rope With mounting holes 21 ft
A0953	Guide package 403 UG for detachable rope (4 guides, pulleys, guide feed, etc)
A1058	Guide conversion Package 403 UG 42 ft 20 ft LE
A1059	Guide conversion Package 403 UG 42 ft 24 ft LE
A1060	Guide conversion Package 403 UG 42 ft 24 ft LE ANODIZED
A1041	Guide Conversion Package UG 24' LE (2 1/2") Anodized
A1039	Guide Conversion Package UG 20' LE (2 1/2")
A1040	Guide Conversion Package UG 24' LE (2 1/2")

X0614



### Guide Protector

The protector covers the face of the guide when it is installed inside the encapsulation in order to prevent debris from getting inside the guide.

CS Part #	Description
X0765	Protector for encapsulated guide, covers guide face during construction 21 ft
X0666	Protector for UG 403 and 801 rigid PVC covers guide during construction PVC 21 ft

X0765



X0666



## Guide Hardware for Underguide Systems

CS Part #	Description
A1792	UG Encapsulation Guide Hardware Kit
A1793	UG Screw-On Guide Hardware Kit
A0996	Guide feed 2 piece SS UG 801 and UG 403 STD EA w/ hardware
A0958	Pulley end cap assembly 801 and 403 UG. STD
A0407	Bracket encapsulated UG guide retainer SET w/ screws, anchors and nuts
A1923	Splice kit for guide UG 403

A0996



A0958



A0407



## Encapsulation and Encapsulation Kits for Gunite & Fiberglass Pools

### Encapsulations for Gunite/Fiberglass Pools

These are single lengths of encapsulations only.

CS Part #	Description
X0651	Encapsulation 403 gunite 21 ft
X0705	Encapsulation 403 Pool in Pool PIP 21 ft
X0814	Pool in Pool PIP Riser Base for Hidden LE Grey 21 ft.
X0953	Encapsulation 403 fiberglass pool 21 ft.

X0953



X0814



X0651



X0705

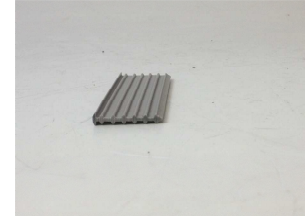


### Spacers

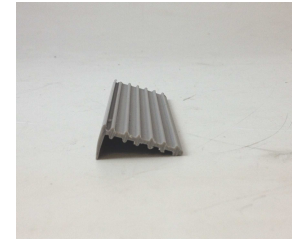
These spacers are used to lock the guide into the encapsulation.

CS Part #	Description
X0091	Spacer for encapsulated guide 403 light grey 21 ft long EA
X0092	Spacer for Gunite encapsulation gray 21 ft flange covers encapsulation to tile edge

X0091



X0092



## Encapsulation Kits for Gunte & Fiberglass Pools

These kits include the encapsulation, spacers, and hardware. These kits **do not** include guides. The guides are included with the system. You will also need to order the corners separately.

CS Part #	Description
A1218	Encapsulation Kit 12 x 24 GUNITE
A1210	Encapsulation kit 16 X 32 GUNITE
A1217	Encapsulation kit 18 X 36 GUNITE
A1224	Encapsulation kit 20 X 40 GUNITE
A1261	Encapsulation kit 22 X 50 GUNITE
A1215	Encapsulation Kit 12 x 24 for Fiberglass
A2866	Encapsulation kit 16ft x 40 ft for fiberglass pool
A2848	Encapsulation kit 403 16 x 32 for fiberglass pool
A1681	Encapsulation kit 20 x 40 Pool in Pool PIP
A1964	Encapsulation kit 22 x 50 Pool in Pool PIP
A1774	Adder kit 20 X 40 Pool in Pool PIP Riser Base

A1224



A1681



A1774



A2866



## Filler Metal for Encapsulation

This filler metal is used to cover the face of the encapsulation opposite of the housing.

CS Part #	Description
X0125	Encapsulation filler metal 10 ft. for 801 and 403 encapsulation

X0125



## 2.3. Encapsulation and Encapsulation Kits for Vinyl Liner Pools

### Encapsulations for Vinyl Liner Pools

These are single lengths of encapsulations only.

CS Part #	Description
X0650	Encapsulation 403 vinyl liner 21 ft
X0705	Encapsulation 403 Pool in Pool PIP 21 ft
X0814	Pool in Pool PIP Riser Base for Hidden LE Grey 21 ft.
X0930	Encapsulation one piece BULL NOSE 4in tall 17ft 8in
X0956	Encapsulation one piece INCLINED 16 ft. 2 in.
X0955	Encapsulation one piece ROUNDED 16 ft 2 in.
X0301	SureFit® Encapsulation 21ft. Length
X0689	Encapsulation 403 vinyl liner w/ fiber optic 21 ft

X0650



X0705



X0814



X0930



X0956



X0301



X0955



## Encapsulation Kits for Vinyl Liner Pools

These kits include the encapsulation, spacers, and hardware. These kits **do not** include guides. The guides are included with the system. You will also need to order the corners separately.

CS Part #	Description
A1214	Encapsulation Kit 12 x 24 One Piece BULL NOSE 4in tall
A2087	Encapsulation kit 16 x 32 One Piece BULL NOSE 4in tall
A2089	Encapsulation kit 18 x 36 One Piece BULL NOSE 4in tall
A2088	Encapsulation kit 20 x 40 One Piece BULL NOSE 4in tall
A2250	Encapsulation kit 22 x 50 One Piece BULL NOSE 4in tall
A1219	Encapsulation Kit 12 x 24 Vinyl Liner
A1213	Encapsulation kit 16 X 32 Vinyl Liner
A1220	Encapsulation kit 18 X 36 Vinyl Liner
A1227	Encapsulation kit 20 X 40 Vinyl Liner
A1221	Encapsulation Kit 12 x 24 VL with Fiber Optic
A1216	Encapsulation Kit 16 x 32 VL with Fiber Optic
A1223	Encapsulation Kit 18 x 36 VL with Fiber Optic
A1230	Encapsulation Kit 20 x 40 VL with Fiber Optic
A1268	Encapsulation Kit 22 x 50 VL with Fiber Optic
A1264	Encapsulation kit 22 X 50 Vinyl Liner
A1222	SureFit® Encapsulation Kit 403 12 x 24 Vinyl Liner
A3011	SureFit® Encapsulation kit 403 16 X 32 Vinyl Liner
A3012	SureFit® Encapsulation kit 403 18 X 36 Vinyl Liner
A3013	SureFit® Encapsulation kit 403 20 X 40 vinyl liner
A1681	Encapsulation kit 20 x 40 Pool in Pool PIP
A1964	Encapsulation kit 22 x 50 pool in pool PIP
A1774	Adder kit 20 X 40 Pool in Pool PIP Riser Base
A1211	Encapsulation Kit 12 x 24 One Piece Inclined 4in tall
A2078	Encapsulation kit 16 x 32 One Piece Inclined 4in tall

A2088



A1227



A1681



A1774



A2077	Encapsulation kit 18 x 36 One Piece Inclined 4in tall
A2079	Encapsulation kit 20 x 40 One Piece Inclined 4in tall
A2248	Encapsulation kit 22 x 50 One Piece Inclined 4in tall
A1212	Encapsulation Kit 12 x 24 One Piece Rounded 4 in tall
A2084	Encapsulation kit 16 x 32 One Piece Rounded 4in tall
A2083	Encapsulation kit 18 x 36 One Piece Rounded 4in tall
A2086	Encapsulation kit 20 x 40 One Piece Rounded 4in tall
A2247	Encapsulation kit 22 x 50 One Piece Rounded 4 in tall

### Filler Metal for Encapsulation and Wall Cap for Vinyl Liner Pools

This filler metal is used to cover the screw channel on the wall cap and to cover the face of the encapsulation opposite of the housing.

CS Part #	Description
X0125	Encapsulation filler metal 10 ft. for 801 and 403 encapsulation
X0945	Wall cap 309 with VL 20 ft 1 in painted
X0302	SureFit® Wall Cap 20 ft. length
X0126	Wall cap VL with Fiber Optic 20 ft.

X0125



X0945



X0302





## 2.4. Radius Corners for Vinyl Liner Pools

### Corners for Vinyl Liner Pools

Corners are ordered separately from the encapsulation kits. Corners are available in 3in chopped, 90 degree, 6in radius, and 2ft radius.

CS Part #	Description
A1308	Encapsulation Corner kit 2 ft radius for vinyl liner 4 corners
A1350	Encapsulation Corner kit 3 in chop for vinyl liner 4 corners
A1309	Encapsulation Corner kit 6 in radius for vinyl liner 4 corners
A0975	Corner 2 ft radius for vinyl liner mechanism end LEFT
A0974	Corner 2 ft radius for vinyl liner mechanism end RIGHT
A2353	Corner 2 ft radius for vinyl liner NON-mechanism end
A0978	Corner 3 in chopped for vinyl liner mechanism end LEFT
A0977	Corner 3 in chopped for vinyl liner mechanism end RIGHT
A0979	Corner 3 in chopped for vinyl liner NON-mechanism end
A0972	Corner 6 in radius for vinyl liner mechanism end LEFT
A0971	Corner 6 in radius for vinyl liner mechanism end RIGHT
A0973	Corner 6 in radius for vinyl liner NON-mechanism end
A2176	Corner one piece BULL NOSE 2 ft radius ME LEFT
A2177	Corner one piece BULL NOSE 2 ft radius ME RIGHT
A2178	Corner one piece BULL NOSE 2 ft radius NME
A2183	Corner one piece BULL NOSE 3in chopped ME LEFT
A2184	Corner one piece BULL NOSE 3in chopped ME RIGHT
A2185	Corner one piece BULL NOSE 3in chopped NME
A2180	Corner one piece BULL NOSE 6in radius ME LEFT
A2181	Corner one piece BULL NOSE 6in radius ME RIGHT
A2182	Corner one piece BULL NOSE 6in radius NME
A2187	Corner one piece BULL NOSE 90 degree corner ME LEFT
A2186	Corner one piece BULL NOSE 90 degree corner ME RIGHT
A2179	Corner one piece BULL NOSE 90 degree NME

A1309



A0974



A2353



A0978



A0972



A0973

A2156	Corner one piece Inclined 2ft radius ME LEFT
A2157	Corner one piece Inclined 2ft radius ME RIGHT
A2158	Corner one piece Inclined 2ft radius NME
A2163	Corner one piece Inclined 3in chopped ME LEFT
A2162	Corner one piece Inclined 3in chopped ME RIGHT
A2164	Corner one piece Inclined 3in chopped NME
A2159	Corner one piece Inclined 6in radius ME LEFT
A2160	Corner one piece Inclined 6in radius ME RIGHT
A2161	Corner one piece Inclined 6in radius NME
A2188	Corner one piece Inclined 90 degree corner ME LEFT
A2189	Corner one piece Inclined 90 degree corner ME RIGHT
A2165	Corner one piece Inclined 90 degree corner NME
A2103	Corner one piece Rounded 2ft radius ME LEFT
A2102	Corner one piece Rounded 2ft radius ME RIGHT
A2104	Corner one piece Rounded 2ft radius NME
A2105	Corner one piece Rounded 3in chopped ME LEFT
A2153	Corner one piece Rounded 3in chopped ME RIGHT
A2155	Corner one piece Rounded 3in chopped NME
A2108	Corner one piece Rounded 6in radius ME LEFT
A2107	Corner one piece Rounded 6in radius ME RIGHT
A2109	Corner one piece Rounded 6in radius NME
A2192	Corner one piece Rounded 90 degree corner ME LEFT
A2193	Corner one piece Rounded 90 degree corner ME RIGHT
A2105	Corner one piece Rounded 90 degree corner NME
A2516	SureFit® Corner 403 2 ft radius for vinyl liner mechanism end LEFT
A2517	SureFit® Corner 403 2 ft radius for vinyl liner mechanism end RIGHT
A2518	SureFit® Corner 403 2 ft radius for vinyl liner NON-mechanism end



A2176



A2178



A2183



A2185



A2181



A2526	SureFit® Corner 403 3 in chopped for vinyl liner mechanism end LEFT
A2527	SureFit® Corner 403 3 in chopped for vinyl liner mechanism end RIGHT
A2528	SureFit® Corner 403 3 in chopped for vinyl liner NON-mechanism end
A2536	SureFit® Corner 403 6 in radius for vinyl liner mechanism end LEFT
A2537	SureFit® Corner 403 6 in radius for vinyl liner mechanism end RIGHT
A2538	SureFit® Corner 403 6 in radius for vinyl liner NON-mechanism end

## 2.5. Leading Edge Support Extensions and Sliders

### Leading Edge Support Extensions

These extensions will either raise the leading edge bar or allow you to shorten the leading edge bar when the coping is cantilevered more than approx. 1in.

CS Part #	Description
M9770	Leading edge support (L shaped) UG 5 in SHORTENS LE 1-1/2 in per side STAINLESS STEEL
M3861	Leading edge support (L shaped) UG 6 in SHORTENS LE 2-1/2 in per side STAINLESS STEEL
M3846	Leading edge support extension (L shaped) UG 3 1/2 in RAISES LE 1 in
M9646	Leading edge support extension (L shaped) UG 4 1/2 in RAISES LE 2 in
M3968	Leading edge support UG lowers L.E. 1-1/2" SS EA
M0010	Leading edge support for 1 inch LE Bar
M0012	Plastic End Cover for 1 inch LE Bar
M0013	LE Support Bracket for 2 1/2" LE

M0010



M0012



M9770



M3846



M3968

## Sliders

When picking a slider, be sure to match the slider to the proper track. **See appendix.**

CS Part #	Description
A1100	Slider Assembly UG 801 and 403 for detachable rope SET STD
A1153	Slider assembly UG retro for detachable ropes on pre-403/801 guide (WHITE) SET
A0097	Slider Assembly UG CS1800 UG No/LE Tube Inserts SET STD
A0767	Slider assembly UG 801 CS1800 no LE tube inserts SET STD
A0949	Slider assembly UG 403/801 w/WIRE CS1800 no LE tube inserts SET STD
A0696	Slider Assembly UG w/WIRE pre-403 CS1800 no LE tube inserts SET

A1100



A1153



A0097



A0949



## 2.6. Underguide – Coping, Box and Lid Forming

### Clip-on Coping for Vinyl Liner, Fiberglass or Pool in Pool Encapsulation

These copings clip onto vinyl liner and pool in pool encapsulations. For bullnose coping **see Encapsulations**. (pictures show the main components, not the complete kit)

CS Part #	Description
A1244	Coping clip-on kit <b>ROUNDED EDGE</b> for 16 X 32 pool includes mitered ends, lengths and splices
A1247	Coping clip-on kit <b>ROUNDED EDGE</b> for 18 X 36 pool includes mitered ends, lengths and splices
A0703	Coping clip-on kit <b>ROUNDED EDGE</b> for 20 X 40 pool includes mitered ends, lengths and splices
A1250	Coping clip-on kit <b>ROUNDED EDGE</b> for 22 X 50 pool includes mitered ends, lengths and splices

A0703



### 1 Piece Reusable Coping Forms

These 1 piece coping forms lock into any of Coverstar's encapsulations and are reusable. (pictures show the main components, not the complete kit)

CS Part #	Description
A1252	Coping form kit 403 1 pc. reusable <b>INCLINED</b> 20 X 40
A1254	Coping form kit 403 1 pc. <b>INCLINED</b> 22 x 50
A1578	Coping form 403 <b>INCLINED</b> 1 pc. 6 ft w/ splice and 3 spacers
A1145	Coping form kit 403 1 pc. <b>CANTILEVER</b> 20 X 40
A1253	Coping form kit 403 1 pc. <b>CANTILEVER</b> 22 X 50
A1577	Coping form 403 <b>CANTILEVER</b> 1 pc. 6 ft w/ splice and 3 spacers

A1252



A1145



### 2 Piece Reusable Coping Forms

These 2 piece coping forms are reusable and very useful when finish troweling, coloring, and stamping concrete. (pictures show the main components, not the complete kit)

CS Part #	Description
A0995	Coping form <b>CANTILEVER</b> Shape kit for 2 pc. Set for 20 x 40 w/corners (No Hardware)

A0995



A0992	Coping form support plate 403 2 pc kit for 20 x 40 pool w/ hardware
X0691	Coping form CANTILEVER shape top piece only 6 ft used with 403 or 801 support plate
A1080	Coping form support plate for 403 w/ 3 spacers, 3 clamps, 1 splice

A1080



A0992



X0691



### Coping Hardware Kits

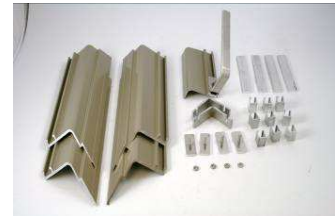
(pictures show the main components, not the complete kit)

CS Part #	Description
A1735	Coping form Hardware Kit for INCLINED 403 1 pc
A1736	Coping form Hardware Kit for CANTILEVER 1 pc
A1734	Coping Form Support Plate Hardware Kit 403 2 pc

A1735



A1736



A1734



### Box Perimeter and Lid Forming

#### Box Perimeter Forming (Consumables)

See appendix for description and diagram. (pictures show the main components, not the complete kit)

CS Part #	Description
A1117	Box perimeter forming encapsulation and brackets kit for V.L. pool 12 5/8 in. box up to 24 ft. (Consumables) Use with box perimeter forming kit.

A1125



A1125	Box perimeter forming encapsulation and brackets kit for V.L. pool 14 in. box up to 24 ft. (Consumables) Use with box perimeter forming kit.
A1387	Box perimeter forming encapsulation and brackets kit for 12 5/8 in. box 4 ft. add-on extension kit
A1368	Box perimeter forming encapsulation and brackets kit for V.L. pool 14 in. box 4 ft. add-on extension kit
A1968	Box perimeter forming encapsulation and brackets kit for variable lid thicknesses V.L. pool 14 in. box up to 24 ft. (Consumables) Use when lid thickness requires vert. adjustment.

### Box Perimeter Forming (Reusable)

See appendix for description and diagram. (pictures show the main components, not the complete kit)

CS Part #	Description
A2048	Box perimeter form 2 1/2 in. vert. transition to coping SET
A2047	Box perimeter form 3 1/2 in. vert. transition to coping SET
A1149	Box perimeter reusable forming kit 3-1/2in used with two piece coping forms (order lid perimeter encapsulation and brackets separately)
A1150	Box perimeter reusable forming kit 2-1/2in used with one piece coping forms 24 ft box (order lid perimeter encapsulation and brackets separately)

A2048



A1149



### Box Perimeter & Lid Forming

See appendix for description and diagram. (pictures show the main components, not the complete kit)

CS Part #	Description
A1119	Box perimeter and Lid forming for 1 pc Inclined (A2275, A1150)
A1120	Box perimeter and lid forming for 1 pc Cantilever (A2276, A1150)

### Lid Forming (Reusable)

See appendix for description and diagram. (pictures show the main components, not the complete kit)

CS Part #	Description
A2275	Inclined Lid Forming Kit
A2276	Cantilever Lid Forming Kit



### Lid Forming Parts

See appendix for description and diagram. (pictures show the main components, not the complete kit)

CS Part #	Description
A1021	Inclined Formed Lid Mold
M0110	Inclined Lid Forming Retainer Bracket Right
M0111	Inclined Lid Forming Retainer bracket Left
M0107	403 Inclined Deck Form 28in L (X0743)



M0110

M0111



M9593

H0012

CS Part #	Description
A1024	Cantilever Formed Lid Mold
M0112	Cantilever Lid Forming Retainer bracket Right
M0113	Cantilever Lid Forming Retainer Bracket Left
M0108	403 Cantilever Deck form 28in L (X0719)

### Hardware

(pictures show the main components, not the complete kit)

CS Part #	Description
A1741	Box Perimeter Forming Encapsulation Hardware Kit (Hooks & screws)



A1741

### Touch Up Paint

H9641

CS Part #	Description
-----------	-------------



H9769	Paint GRAY aerosol touch-up for encapsulations, corners, flat lid ect.(50084 flat)
-------	--



### 3.0. Recessed Topguide Options

#### 3.1. Lids

##### Standard Aluminum Lid for Topguide Systems

This lid is only available in clear aluminum and is screwed down to the deck.

CS Part #	Description
X0004	Lid aluminum (11 in) STD per ft
X0121	Lid aluminum motor end per ft
X0943	Lid hinge aluminum 8 inch - 24 feet
A0376	Lid wedge set of two
X0659	Lid aluminum non-motor end per ft
A1784	Lid hinge attachment hardware kit

X0004



X0121/ X0659



X0943



A0376



## Flush Deck Lid for Topguide Systems

Flush deck lids are installed before the deck is poured. When the deck is finished the lid should be flush with the deck. When using a flush deck lid on a recessed topguide system you **must use recessed horizontal curved track**.(Only available in painted grey)

CS Part #	Description
A2420	Lid kit only for 14 in box flush lid 309 complete with riser 24 ft.(No Box or C Cap - Order part A1752 if no profile)
A2421	Lid kit only for 12 5/8 in box flush lid 309 complete with riser 24 ft.(No Box or C Cap - Order part A1752)
A2422	Lid kit only for 15 1/2in box flush lid 309 complete with riser 24 ft.(No Box or C Cap)
A2418	Flush lid 309 extension kit for 14 in lid PER FT (lid brackets not included, order part A)
A2417	Flush lid 309 extension kit for 12 5/8 in lid PER FT (lid brackets not included, order part A)
A2419	Flush lid 309 extension kit for 15 1/2 in lid PER FT (lid brackets not included, order part A)
X0048	Lid Panel Flush (1 in x 6 in) 24 ft length
X0669	Lid Panel Flush (1 in x 7.5 in) 24 ft length
X0944	Flush lid riser 309 - 24 feet GRAY
A2410	Riser Box End Assembly 309 for 14in box
A2412	Riser Box End Assembly 309 for 12 5/8in box
A2413	Riser Box End Assembly 309 for 15 1/2in box
M9354	Riser panel 309 cut to fit coping transition profiles 40in long notch on both ends
A2414	Flush lid 309 hardware kit
A2486	Lid bracket extended arm SS with bolt for Hidden LE system with 309 riser panel
A2896	Lock assembly for flush lid kit (includes 2 locks)

A2896



A2420



X0048



X0669



X0944



A2410



A2486



## Flat Lid for Topguide Systems

The flat lid is a hybrid between the standard lid and the flush deck lid. The flat lid is designed to work with cover housings that are 14 inches wide. This lid uses some of the same components as the flush lid but instead of using a riser to hold the lid a hinge is used. This lid is screwed down to the deck but has a smooth border to reduce any sharp edges. A wedge is used to support the main lid in recessed topguide applications. (Only available in painted grey)

CS Part #	Description
A2432	Lid kit flat lid 309 for RTG 14in box 24ft long
A2431	Lid kit flat lid 309 for 14in box UG or RTG 4ft extension kit
X0048	Lid Panel Flush (1 in x 6 in) 24 ft length
X0939	Flat lid 309 hinge 24 feet
X0940	Flat lid 309 lid panel attachment 24 feet
A2426	Flat lid 309 support end cap SET
A2427	Flat lid 309 lid support assembly LEFT for 14 in box
A2428	Flat lid 309 lid support assembly RIGHT for 14 in box
A2429	Flat lid 309 lid support assembly SET for 14 in box
M9363	Flat lid 309 cut cover for 14in box
M9362	Splice for flat hinged lid 309
X0053	Metal Box C-Cap
A2425	Flat lid 309 wedge SET

A2432



X0048



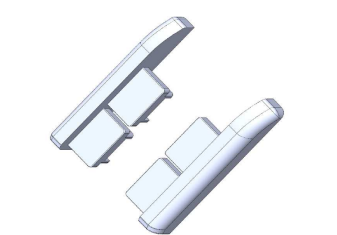
X0939



X0940



A2426



A2427



M9363



X0053



A2425



## Lid Brackets for Topguide Systems

CS Part #	Description
A2430	Lid bracket RTG (98 degree) 12 inch SET of 2 for FLAT LID
A1694	Lid bracket RTG (98 degree) STD 10 inch SET of 2
A1695	Lid bracket RTG (98 degree) STD 10 inch SET of 3
A1698	Lid bracket RTG (98 degree) STD 14 inch SET of 2
A1699	Lid bracket RTG (98 degree) STD 14 inch SET of 3
A2409	Lid bracket with bolt for 309 riser panel (X0944) each SS for 14in box
A2415	Lid bracket with bolt for riser panel 309 (X0944) each SS for 12 5/8in box
A2416	Lid bracket with bolt for riser panel 309 (X0944) each SS for 15 1/2in box

A2430



A2409



### 3.2. Guide, Guide Packages and Guide Hardware

#### Guide and Guide Packages for Recessed Topguide and Deckmount Systems

Guide packages include guides, guide hardware, and guide mounting hardware. Our guide conversion kits will also include wheel assemblies.

CS Part #	Description
X0656	Guide TG 403 for detachable rope 22 ft STD
X0675	Guide TG 403 for detachable rope 22 ft BRONZE
A2123	Guide RHG 308 (recessed horizontal all metal) w/ spacer GRAY 22ft
X0117	Guide RHG-S (screw down) (no housing) 22 ft
A0952	Guide package 403 TG for detachable rope (4 guides, pulleys, guide feed, etc)
A0021	Slim Flush Guide – Guide Assembly
A1893	Guide package 403 TG BRONZE for detachable rope (4 guides, pulleys, guide feed, etc)
A2143	Guide package RHG 308 (all metal) (4 guides, pulleys, guide feed, etc.) GRAY
A2145	Guide package RHG 308 (all metal) w/ protector (4 guides, pulleys, guide feed, etc.) GRAY
A2368	RHG 308 Curved Guide, housing, splice 3ft. Set of 2 GRAY
A0825	Guide package RHG-S (screw down) (4 guides, pulleys, guide feed, Housing, etc.)
A1055	Guide conversion package 403 TG 44 ft 24 ft LE
A1057	Guide conversion package 403 TG 44 ft 24 ft LE ANODIZED
A1054	Guide conversion package 403 TG 44 ft 20 ft LE
A1050	Guide Extension Package 403 TG 1 piece & 2 splices, 13 screws and anchors
A1043	Guide Conversion Package TG 24' LE (2 1/2")
A1042	Guide Conversion Package TG 20' LE (2 1/2")
A1044	Guide Conversion Package TG 24' LE (2 1/2") Anodized
A1051	Guide Extension Package 403 TG 1 piece BRONZE & 2 splices, 13 screws and anchors

X0656



A2123



X0117



A0952



A2145



A0825



A2368



A1055



**Hardware for Topguide Systems**

CS Part #	Description
A1795	Topguide Guide Hardware Kit 403- Screws, anchors, guide feed, splices, pulley end cap etc
A2200	Parts kit guide hardware for RHG 308 (Recessed Horizontal all metal) end caps, guide feed, etc. GRAY
A1794	Topguide Horizontal Flush Deck, Screw-Down Guide Hardware Kit
A1924	Splice kit for guide TG 403
M9797	Stop TG 403 L shaped S.S.
A2423	Pulley end cap TG SS ASSEMBLY
A2141	Pulley end cap RHG 308 (Recessed horizontal all metal L & R SET) GRAY
A1496	Pulley end cap assembly RHG-S screw down SET Rev. 305
A1531	28 Pk - Mounting kit (stand) for RHG-M and RVG (M9879)
A1924	Splice kit for guide TG 403
A0006	Slim Flush Guide – Guide Feed with Pulley
A0005	Slim Flush Guide – Pulley End Cap Assembly
M0015	Slim Flush Guide - Guide Splice
A0009	Slim Flush Guide – Hardware Kit

A1795



A2200



A1794



M9797



A2423



A2141

A1531



A1496





**Protector & Spacer for Recessed Horizontal Guide**

CS Part #	Description
X0865	Protector for RHG 308 22 ft White
X0847	Spacer for RHG 308 GRAY 22 ft

X0865



X0847





## Wheel Assemblies and Sliders for Topguide Systems

### Wheel Assemblies

CS Part #	Description
A1565	Wheel assembly 805 TG (system order) w/LE tube inserts 3 in tube SET
A2198	Wheel assembly 805 RHG 308, w/LE tube inserts 3in tube GRAY SET
A1551	Wheel Assembly 805 RHG-S screw down w/ LE inserts 3 in tube SET (Right and Left)
A1546	Wheel Assembly for 2 1/2" LE – Set

A1546



A1565



A2198



A1551

### Leading Edge Support Extensions for Topguide Systems

These extensions are used when a deck is uneven or when a larger leading edge tube is used. They prevent the leading edge tube from rubbing on the deck.

CS Part #	Description
M3828	Leading edge support extension (Vert) TG 4 1/2 in RAISES LE 1 in
M9643	Leading edge support extension (vert) TG 5 in RAISES LE 1-1/2 in
M3829	Leading edge support extension (Vert) TG 6 in RAISES LE 2-1/2 in

M9643



## Sliders for Topguide Systems

CS Part #	Description
M9886	Stop block/slider for wheel assembly 805 for STD TG 403 Locks into guide
M9228	Stop block/slider for wheel assembly 805 for RHG 308 and RHG screw down Locks into guide
M9670	Stop block/slider for wheel assembly for STD TG 403 Using detachable rope
M0365	Slider TG 1 in x 1/2 in x 3 in Pre 403 EA
A1154	Slider TG assembly w/ wire pre-403 wire-on retro fits to original wheel assembly EA

M9886



M9228



M9670



M0365



A1154



## 2. Deckmount Systems

### 2.1. Deckmount - Mechanism

Coverstar mechanisms are typically ordered as part of a complete cover system using an online or manual order form. The mechanism consists of motor end and non-motor end assemblies as well as a roll up tube along with all necessary mounting hardware. This section contains the mechanism options available as well as common replacement parts.

#### Electric Motors

To distinguish between the two motors, the HD motor will have a colored tape on the conduit and "HD" etched on the handle.

CS Part #	Description
A1839	Motor & housing 3 wire w/ Eclipse motor mounting bracket
A0712	Motor & housing 3 wire 30 rpm HEAVY DUTY w/ Eclipse motor mounting bracket
E1088	Motor Assembly 3-wire 41 RPM 3/4 HP 2006 model
E1028	Motor Assembly 3-wire 30 RPM HEAVY DUTY 2006 model

A1839



#### Hydraulic Motors

To distinguish between the motors, the 6 cubic inch motor will be 5 3/4in long with each larger motor increasing by 1/4 in incrementally.

CS Part #	Description
A0698	Hydraulic Motor 8 cu in 30 rpm sqft > 800 w/hardware to mount to mechanism
A0699	Hydraulic motor 10 cu in SQFT > 2000 w/hardware to mount to mechanism
A0700	Hydraulic motor 12 cu in (Special order only) w/hardware to mount mechanism

A0701



#### Hydraulic Power Pack

CS Part #	Description
A2851	Hydraulic power pack 220 v 2011 model complete

A2851



#### Torque Limiter & Hydraulic Motor Coupler

CS Part #	Description
A1938	Torque limiter Assembly (Eclipse) Model C (caliper style)
A1848	Hydraulic motor coupler assembly for Eclipse

A1938



A1848



## Brakes

The motor end brake assembly is to put resistance on the rope reel. The Non-motor end brake is to put resistance on the roll up tube.

CS Part #	Description
A1587	Brake assembly CS1800 motor end
M4555	NME Brake Block (Eclipse)

A1587



M4555



## Shifting Gears (Dogs)

The shifting gears are identified by a red or black mark.

Red= Deck right and Underguide left

Black= Deck left and Underguide right

CS Part #	Description
A1569	Drive shaft assembly, shaft, double dog, drive pins LEFT used on UG/RT right and Deck left system (eclipse)
A1574	Drive shaft assembly, shaft, double dog, drive pins RIGHT used on UG/RT left and Deck right system (eclipse)
A1572	Shifting gear w/Bronze bushing Single Dog RIGHT (Eclipse) for UG/RT left and Deck right
A1573	Shifting gear with Bronze bushing Single Dog LEFT

A1574



A1572

	(Eclipse) for UG/RT right and Deck left
--	---



### Rope Reel Assemblies & Gear Conversion Kits

CS Part #	Description
A1575	Rope Reel assembly with shifting gears for UG/RT right and Deck left (Eclipse)
A1576	Rope Reel assembly with shifting gears for UG/RT left and Deck right (Eclipse)
A1662	Eclipse Conversion Kit to Deck Right (includes rope reel and pulley brackets)
A1663	Eclipse Conversion Kit to Deck Left (includes rope reel and pulley brackets)

A1575



A1662



### Water Side Mechanism Bracket

This will be the pulley bracket on the mechanism which is closest to the water.

CS Part #	Description
M4641	ME Upper mechanism water side bracket (Eclipse)

M4641



### 3 Pulley Brackets

This is the pulley bracket that is furthest away from the water.

CS Part #	Description
A1882	Eclipse 3 pulley bracket assembly Deck Right
A1883	Eclipse 3 pulley bracket assembly Deck Left

A1882



### Non Motor End Pulley Brackets

This is the pulley bracket for the non-motor end.

CS Part #	Description
A1585	Bracket Assembly 1 pulley NME Eclipse Deck Right
A1586	Bracket Assembly 1 pulley NME Eclipse Deck Left

A1585



### Mechanism Ends Only

These parts do not include the motor.

CS Part #	Description
A1590	Mechanism Eclipse Deck LEFT
A1591	Mechanism Eclipse Deck RIGHT

A1590



### Non Motor End Assemblies

CS Part #	Description
A1602	NME Assembly Eclipse Deck LEFT
A1603	NME Assembly Eclipse Deck RIGHT

A1602



### Roll-Up Tubes

The size of roll up tube necessary may vary. See your local Coverstar dealer to determine which tube should be used.

CS Part #	Description
X0015	Tube 4 in aluminum per ft
X0679	Tube 5 in aluminum .078 wall 40 ft
X0001	Tube 6 in Aluminum STD per ft
X0066	Tube 6 in aluminum HD .083 wall per ft
X0016	Tube 8 in aluminum per ft
X0673	Roll-up Tube 6 inch extruded clear anodized 20 ft. length
X0672	Roll-up Tube 6 inch extruded clear anodized 28 ft. length

X0001



X0673



## Drive Cones

These cones attach to the roll up tube on the motor and non-motor ends.

CS Part #	Description
A1661	ME cone with Bronze bushing installed
A2449	NME cone and brake assembly single bolt Eclipse 708
A2373	Eclipse Tube cone July08 and adapter assembly ea

A1661



A2449



A2373



## Tube Inserts & Cones

Tube inserts are used to attach the mechanism and non-motor end to the roll up tube.

CS Part #	Description
A0436	Tube insert w/screws for 4 in tube
A1159	Tube insert w/screws for 5 in tube
A2374	Tube Insert/Cone for 6 inch tube Die Cast Aluminum w/ screws 708
A2375	Tube Insert/Cone for HD Tube Die Cast Aluminum w/ screws 708
A0799	Tube insert w/screws for 6.083 in HD tube
A0352	Tube insert w/screws for 8 in tube EA

A0436



A2374



A0352



## Hardware

CS Part #	Description
A2372	Box Mechanism hardware ECLIPSE D includes mounting hardware, video etc. (Electric)July08
H9678	Pulley for .280 rope 2 inch diameter stainless steel
A1600	Extended mounting foot SET of 3 with hardware (Eclipse)
A1593	Mechanism mounting feet Set of 3 with hardware for Eclipse
A1843	Eclipse bracket extension kit (no extended feet) up to 20in box
A2371	Box mechanism hardware ECLIPSE RT, UG and D includes mounting hardware, video ect. (Hydraulic)July08
D0039	Hydraulic hose synflex per ft STD
D0040	hydraulic hose fitting for sinflex female JIC STD
D0047	Hydraulic Power Pack Dipstick

H9678



A1600



A1843



A2371



D0040



D0047





## Electrical Controls

CS Part #	Description
A0605	Key switch Leviton assembly complete w/light STD
E1046	Key switch Leviton Key only (ES105) Set of 2 keys
A1282	Control box with contactors for 3 wire motor
A0585	Feature Control Assembly
E0447	Limit switch sensor for CIRCUIT BOARD (Black) N.O. Hamilton 59145-010 (Use w/ Magnet E0452) STD (Used with circuit board)
E1075	Limit switch sensor for CIRCUIT BOARD (Black) N.C. Hamlin 59145-040 (Use w/ Magnet E0452)
E0452	Limit switch magnet for CIRCUIT BOARD ( Use Sensor E0447) STD
A1365	Rotary limit switch assembly (Rotational counter used for water feature shutoff)
A2469	Touch Pad Switch
A2463	Touch pad with WiFi
A2529	Wireless Touch Pad with Host Touch Pad
A2524	Wireless Touch Pad with Water Feature Control

A0650



A0521



E0447



E0452



A1365



A2469



A2463



A0585



## 2.2. Deckmount – Housings

Coverstar makes a painted grey aluminum bench available in a 24ft kit that fits up to a 20ft guide space. We also provide bench brackets for custom applications. Our bench brackets provide support when the builder is using wood or some other type of material for the bench.

### Aluminum Bench

A2056

CS Part #	Description
A2056	Aluminum Bench 15in wide 24ft long (20ft G.S.)
A2058	Aluminum Bench 23in wide 24ft long(20ft G.S)



### Bench Brackets

(Pictures Pending)  
A0002

CS Part #	Description
A0231	Bench Bracket Center 14 in high 21 in wide (allow 1 week for shipping)
A0008	Bench Bracket Center 15 in high 19 in wide (allow 1 week to ship)
A0154	Bench Bracket Center 15 in high 21 in wide (allow 1 week to ship)
A0002	Bench Bracket Custom size 1 wk ship
A0235	Bench Bracket End (square) 14 in high 21 in wide
A0236	Bench Bracket End (square) custom size ship 1 week



A0236

### Plastic Ends Only

CS Part #	Description
A0240	Housings plastic Gray set LEFT/RIGHT
H9590	Deck motor end cover GRAY
H9650	Deck non-motor end cover GRAY
A0239	Housings plastic White set LEFT/RIGHT
H1036	Deck motor end cover WHITE
H1037	Deck Non-motor end cover WHITE

H9590



H9650



## 5.0. Cover

### Patch Kits

The patch kit is a 6in by 6in square patch with a tube of vinyl glue. If a larger patch is needed please contact your local Coverstar dealer.

CS Part #	Description
A0074	Patch kit Ultragard III Charcoal
A1958	Patch kit Ultragard III Forest Green
A1959	Patch kit Ultragard III Gray
A1960	Patch kit Ultragard III Light Blue
A1961	Patch kit Ultragard III Navy
A1962	Patch kit Ultragard III Royal Blue
A1963	Patch kit Ultragard III Tan
C1246	Patch kit Ultragard III Black
C1247	Patch kit Ultragard III Brown
A1965	Patch Kit Ultragard III Mocha

A0074



### Rope & Detachable Rope Kits

These rope kits have the rope tab already pre sewn to the rope for easy replacement.

CS Part #	Description
C3080	Powerflex® detachable rope assembly 80 ft.
C3090	Powerflex® detachable rope assembly 90 ft.
C3100	Powerflex® detachable rope assembly 100 ft.
C3110	Powerflex® detachable rope assembly 110 ft.
C3120	Powerflex® detachable rope assembly 120 ft.
C3125	Powerflex® detachable rope assembly 125 ft.
C3130	Powerflex® detachable rope assembly 130 ft.
C3140	Powerflex® detachable rope assembly 140 ft.
C3150	Powerflex® detachable rope assembly 150 ft.
C3000	Powerflex® detachable rope assembly Custom Length
C1267	Rope 2011 Powerflex® Black per foot

C1267



C1062



C1062	Detachable rope 3" Tab only ready to install on rope
-------	--

**Webbing**

If the webbing on a cover gets torn it may be possible to repair the webbing on the jobsite. See your local Coverstar dealer for instructions for repairing webbing.

CS Part #	Description
C0002	Webbing 3 1/2 in WHITE per ft STD (Sewn)
C0050	Webbing 5 in WHITE per ft (Sewn)
C0159	Webbing heat sealed BROWN per ft
C0146	Webbing heat sealed CHARCOAL per ft
C0145	Webbing heat sealed FOREST GREEN per ft
C0144	Webbing heat sealed GRAY per ft
C0142	Webbing heat sealed LT BLUE per ft
C0147	Webbing heat sealed NAVY BLUE per ft
C0141	Webbing heat sealed ROYAL BLUE per ft
C0143	Webbing heat sealed TAN per ft

**Cover Pump**

CS Part #	Description
MH232	Pump Little Giant ACPC 1700

MH232



**6.0. Leading Edge Tubes**

**Leading Edge Tubes**

On larger pools you may need to use a larger leading edge tube. See your local distributor to determine if a larger tube is necessary for a particular pool cover.

CS Part #	Description
X0021	Tube 3 in LE 98 dual purpose UN-ANODIZED 20 ft STD
X0079	Tube 3 in LE 98 dual purpose UN-ANODIZED 24 ft
X0080	Tube 3 in LE 98 dual purpose ANODIZED 24 ft
X0015	Tube 4 in aluminum per ft
X0679	Tube 5 in aluminum .078 wall 40 ft
X0001	Tube 6 in Aluminum STD per ft
X0718	Tube 2 in 16 ft 6 in
X0717	Leading Edge Bar 1 inch Flat 16ft
X0007	2 ½" Leading Edge Tube 20 ft Un-Anodized
X0023	2 1/2" Leading Edge Tube 24 ft Un-Anodized
X0024	2 ½" Leading Edge Tube 24 Ft Anodized



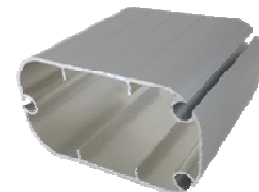
X0718



X0717



X0024



**Leading Edge Inserts/Insert Adaptors**

Leading edge inserts attach the leading edge bar to the slider. The leading edge adaptors reduce tubes that are larger than a 3in leading edge tube down to 3in in order to allow the use of the leading edge insert.

CS Part #	Description
A0041	Leading edge insert assembly UG 3 in LE STD EA
A1276	Leading edge insert assembly UG 2 in LE Each
A0057	Leading Edge Insert Assembly for 1 inch LE
M0008	2 1/2" LE Bar End Cap
M0007	Leading edge Insert for 2 1/2" LE Bar



A0041



A0057

CS Part #	Description
A0093	Leading edge adaptor 4 in (3 in tube w/white donuts on outside of tube) EA
A1001	Leading edge adaptor 5 in (3 in tube w/white donuts on outside of tube)EA
A0800	Leading edge adaptor 6 in (3 in tube w/white donuts on outside of tube)EA



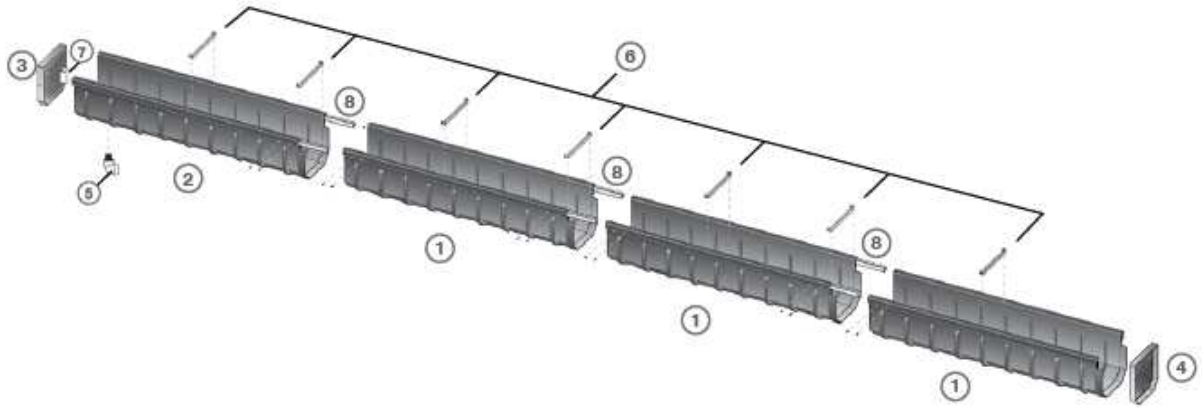
A0093

M0008

M0007



## 7.0. Polymer Housing



Polymer Housing Kit

 1	 2	 3	 4	 5	 6
 7	 8	 9			

Coverstar's polymer housing provides a reliable and sturdy place for the mechanism and cover without the hassle of building a concrete/gunite, redwood, or block housing. The polymer housing can be assembled and completely installed in 1-3 hours (depending on experience).

### Polymer Housing

The polymer housing 24ft kit accommodates up to a 20ft guide space. If added length is needed you will need an extension kit which are available in 4ft and 8ft. **You must order a mounting kit separately.**

A2400  
See above diagram

CS Part #	Description
A2400	Polymer housing assembly 311 24 ft Only(order mounting kit separately)
A2407	Polymer Housing Assembly 18 ft (order mounting kit separately)
A2408	Polymer housing 311 6ft extension with splice

## Polymer Housing Hardware

CS Part #	Description
A2462	Hardware kit for polymer housing 11
M9340	Splice for polymer housing 311 - rectangular tube 1.5in x 1in x 18in
M9785	Polymer housing cross brace 14 in steel
M9793	Polymer housing mounting steel stake 30 in. long
M9788	Polymer housing mounting support brace (mounts vertically)
A2401	Box End for polymer housing 311 with junction box
M9344	Box End for polymer housing 311
A1177	Polymer Housing Drain Kit
A2402	18 ft Polymer Housing Hardware Kit

A2462



M9340



M9785



M9793



A2401



## Polymer Housing Mounting Kits

Polymer housing mounting kits are necessary and available to mount to vinyl liner pool walls.

CS Part #	Description
A2404	Polymer housing 311 mounting kit for UG (for VL pools)
A2405	Polymer housing 311 mounting kit UG (for gunite pools)
A2403	Polymer housing 311 mounting kit RT (for gunite, fiberglass or VL pools)
A2849	Polymer housing 311 mounting kit UG fiberglass pool
A2850	Polymer housing 311 mounting kit UG fiberglass pool w/ standoff brackets

A2404



A2403





A2849



A2850



A2405



A2403



## 8.0. Appendix

### Literature

#### Literature

CS Part #	Description
L9910	Underguide System Installation Guide (20 page B&W)
L9911	Recessed Topguide System Installation Guide (24 page B&W)
L9913	309 Polymer Housing Installation Guide (12 Page B&W)
L9641	Vinyl Liner Encapsulation Installation
L9642	Fiberglass Encapsulation Installation
L9643	Gunite Encapsulation Installation
L9917	Flush Deck Lid Installation Instruction Sheet (2 page B&W)
L9918	Flat Deck Lid Installation Instruction Sheet (2 page B&W)
L9896	Instructions Aluminum bench 15in wide
L9897	Instruction Aluminum Bench 23in wide
L9922	Coverstar Green Brochure (4 page color)
L9942	Replacement cover Brochure

## Product Samples

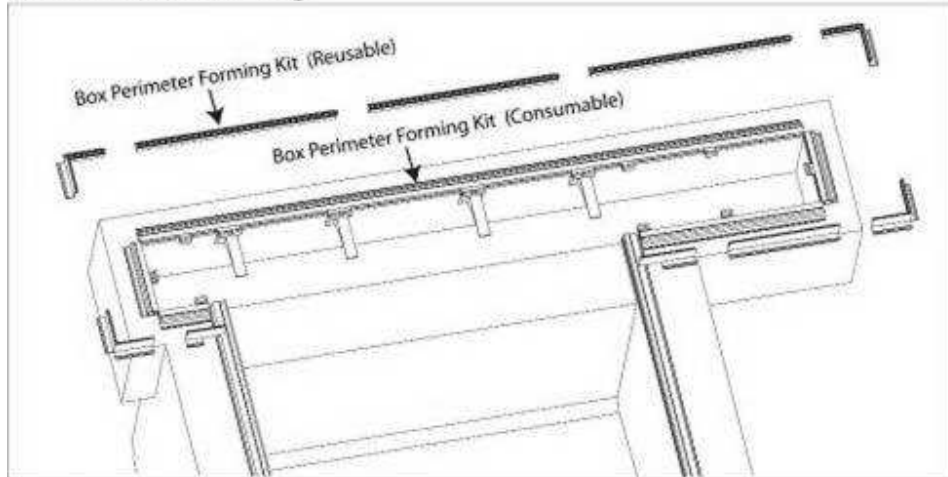
### Samples

CS Part #	Description
L9760	Sample Coping clip-on 805 ROUNDED Edge 4 in (sample of X0804)
L9693	Sample Coping Form 403 CANTILEVER (1 pc.) 4 in (sample of X0719)
L9734	Sample Coping Form 403 INCLINED (1 pc.) 4 in (sample of X0743)
L9686	Sample Coping form support plate 403 for 2 pc. 4 in (sample of X0693)
L9688	Sample Coping form CANTILEVER shape top piece only 4 in (sample of X0691)
L9685	Sample Encapsulation 403 gunite 4 in (Sample of X0651)
L9684	Sample Encapsulation 403 vinyl liner 4 in (Sample of X0650)
L9955	Sample of Fiberglass pool encapsulation (X0953) 4 inch cut
L9900	Sample encapsulation One Piece BULL NOSE 4in (Sample of X0871)
L9676	Sample Encapsulation 403 for Pool in Pool PIP 4 in (sample of X0705)
L9758	Sample Pool in Pool Riser Base for Hidden LE 4 in (sample of X0814)
L9886	Sample encapsulation One Piece ROUNDED edge 4in
L9899	Sample encapsulation One Piece Inclined 4in
L0610	Sample spacer for encapsulated guide 801, 403 light grey 4 in (sample of X0093)
L9745	Sample spacer for Gunite encapsulation 4 inches (sample of X0796)
L9732	Sample encapsulated guide protector, covers front face of guide 4 in (sample of X0765)
L0615	Sample encapsulation filler metal for encapsulation 4 in (sample of X0125)

L9891	Sample RHG 308 Gray Assembly 4 in.(sample of X0849,X0850,X0847 )
L0616	Sample wall cap w/vinyl liner receiver 4 in (sample of X0127)
L0214	Sample guide RHG-S (screw down) 4 in w/ plastic housing (sample of A0826)
L9652	Sample guide TG 403 for detachable rope 4 in (sample of X0656)
L9679	Sample guide TG 403 for detachable rope BRONZE 4 in (sample of X0675)
L9672	Sample guide UG 403 for detachable rope 4 in (sample of X0614)
L0115	Sample guide UG 403 for detachable rope BRONZE 4 in (sample of X0674)
L0112	Sample lid & standard hinge 4 in
L9909	Sample of 308 RHG protector plastic (Sample of X0865)
L9670	Sample Protector for UG 403 and 801 rigid PVC covers guide during construction 4 in (sample of X0666)
L9889	Sample fabric,bead and webbing 9 colors 6in. X 3in. With description card on snap ring
L9816	Sample fabric UltraGard III 9 colors (small with paper cover) STD
L9692	Sample Flush lid assembly with 2 lid panels and C cap 4 INCH (sample of X0053)
L9726	Sample Flush lid descender BULL NOSE 4 in (Sample of X0685 )
L9725	Sample Flush lid descender INCLINED 4 in (Sample of X0686)
L9727	Sample Flush lid descender ROUNDED EDGE 4 in (Sample of X0687 )

## Box Perimeter & Forming Diagrams

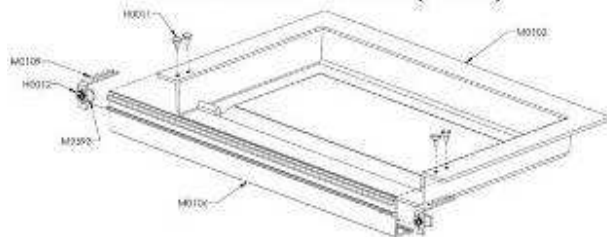
### Box Perimeter Forming



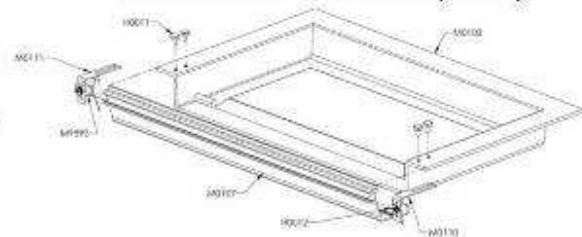
### Forming Profiles



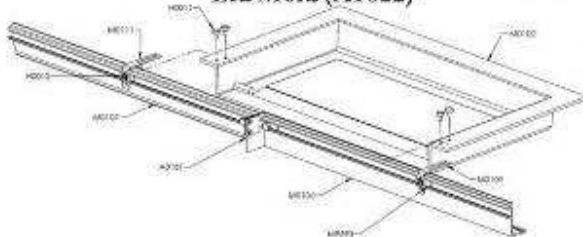
**Box Formed Lid Mold (A1020)**



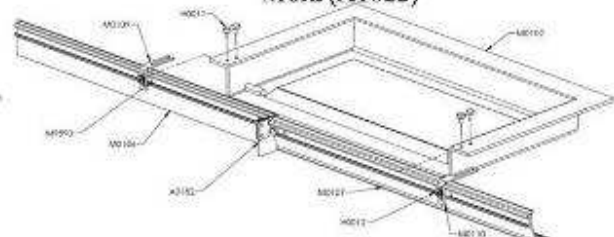
**Inclined Formed Lid Mold (A1021)**



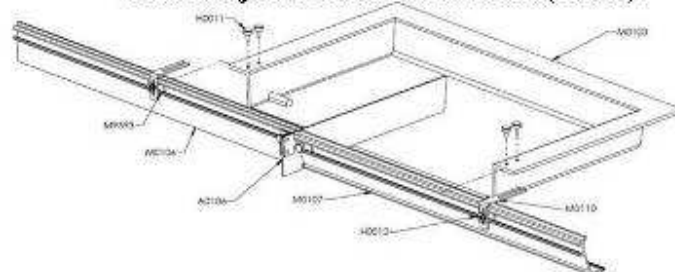
**Incline Transition Left Formed Lid Mold (A1022)**











**Incline Transition Right Formed Lid Mold (A1023)**

















**Incline Adjustable Formed Lid Mold (A1028)**



## Slider Identification

Guide				
Part #	Description	Years used	Image	Slider Type
X0164	403 Underguide	April 2003 - Current		<p>A1100</p>  <p>A0949</p>  <p>A0767</p>  <p>A2443</p> 
X0744	801A Underguide	August 2001 - April 2003		<p>A1100</p>  <p>A0949</p>  <p>A0767</p>

				 <p><b>A2443</b></p>  <p><b>A1153</b></p>
X0041	Underguide Pre 801 (Discontinued)	Jan 1995 - April 2003		 <p><b>A0696</b></p>  <p><b>A0097</b></p>  <p><b>A2446</b></p>  <p><b>M9886</b></p>
X0656	403 Topguide	April 2003- Current		

				 <p><b>M9670</b></p> 
<b>X0006</b>	<b>Topguide with Slider Lip (Discontinued)</b>	<b>1995 - April 2003</b>		<p><b>M0365</b></p>  <p><b>A1154</b></p> 
<b>X0009</b>	<b>Topguide Residential (Discontinued)</b>	<b>1991 - 1994</b>		<p><b>M3839</b></p>  <p><b>(Discontinued)</b></p>