



NESPA
TILED SPAS

Production Booklet

for

FOUR SEASONS

Beverly Hills

SPA

2800 Richter Ave. Suite C, Oroville, CA 95965 • **voice:** (530)534-9910
fax: (530)534-9915 • **email:** sales@tiledspas.com • **website:** www.tiledspas.com



RECOMMENDED MAINTENANCE

Please Note:

These are only recommended guidelines to care for a Nespa all tiled spa. Local codes may require additional procedures, therefore consult with a pool professional that is LA county Health Department certified for more information on local codes and requirements.

SPA SURFACE

Your spa tile is acid resistant and frost-proof. The Tile does not absorb germs or algae. Tile does not stain and is very easy to clean. Color does not fade or lose its luster. All grouts are epoxy based and are extremely durable. To remove scum line use soft nylon brush and small amounts of biodegradable soaps. Do not use abrasive brushes or chemicals.

MAINTENANCE

A. CHEMICALS:

- 1) It is important to maintain a chlorine residual of 2 PPM in the spa. That residual can be provided by chlorine or bromine.
- 2) It is recommended to use Bromine or dichlor (granular) forms of chlorine. If bromine Tabs are used we suggest floating or inline dispenser.
- 3) Never use acid to lower Ph in the tile spa.
- 4) Never use trichlor chlorine (1" or 3") tablets in the Nespa spas.
- 5) Never place tablets in skimmer basket.

B. DRAINING THE SPA:

- 1) It is recommended to drain the spa at least once every 2 months depending on bath load and water clarity.
- 2) The spa should be drained through valve exiting re-circulation pump in the spa equipment room or sump pump.
- 3) Note: Use caution to drain spa in the winter months or rainy season when water table is at its highest. It is possible for the spa to float due to hydraulic pressure from surrounding water table. We advise that you consult with your local spa specialist prior to draining the spa.

C. SPA EQUIPMENT:

- 1) Clean filter cartridge at least once every month, or when needed; i.e., if water clarity does not improve after several days.
- 2) Keep area free and clear from leaves and debris build-up.
- 3) Keep area free and clear from flooding.

D. SPA LIGHT:

- 1) Spa light has to be on GFCI circuit. It is controlled at spa side with ON/OFF.

E. TILE SERVICING:

- 1) Contact manufacture when servicing tile or grout. @ (530) 534-9910

PLAN APPROVAL DOCUMENTATION

DRAWING REVISION HISTORY

SHEET 1 - SD (Spa Detail)

REV NOTE: 12-08 Revised Skid Height and Upgraded Plumbing to be L.A. County Compliant

REV NOTE: 03-06 Revised Step Height and I.D.

SHEET 2 - SD (Section)

REV NOTE:

SHEET 3 - Jet Detail

REV NOTE:

SHEET 4 - TILE

REV NOTE: 01-15 New Tile Configuration

REV NOTE: 03-17 Updated Tile Configuration

SHEET 5 - TILE (2)

REV NOTE:

SHEET 6 - Suction Plumbing

REV NOTE:12-17 Upgraded Plumbing to be L.A. County Compliant

REV NOTE:4-30 Re-routed Plumbing

SHEET 7 - Return Plumbing

REV NOTE: 12-17 Upgraded Plumbing to be L.A. County Compliant

REV NOTE:4-30 Re-routed Plumbing

SHEET 8 - Plumbing Detail

REV NOTE:

SHEET 9 - Main Drain

REV NOTE:Upgraded Plumbing to be L.A. County Compliant

SHEET 10 - Bonding Detail

REV NOTE:

SHEET 11 - Equipment List

REV NOTE:

SHEET 12 - Equipment DOCS

REV NOTE:

I approve the above drawings X _____ Date: _____

Any changes to these plans from here forward shall be directed in writing to Nespa.

SPA FABRICATION AUTHORIZATION

Nespa's engineering and structural manufacturing departments may find it necessary to make slight adjustments (= 1") to your spa.

This may include the size of the spa (OD/ID), tile cuts, depths, jet location, bench steps etc. These adjustments must be made in the primary stages of building the spa. The adjustments are generally made to ad structural and aesthetic integrity to the vessel. IE: balance of supporting gussets (exterior) and less tile cuts/ symmetrical cuts, grout lines, etc. (interior)

Please initial next to the following number that describes your project needs.

_____ 1. YES, I understand adjustments need to be made. Nespa will use their expertise to make these adjustments as needed. I give them the authority to make changes. I will receive final accurate drawings prior to receipt of spa or spa hole construction (if changes were made to the size)

_____ 2. NO, No changes can be made even under 1". Dimensions are fixed. More tile cuts may be needed, Structural supports may be altered to accommodate.

_____ 3. Nespa will need to contact us for any changes to spa dimensions prior to continued spa fabrication.

NESPA ENTERPRISES INC.

2800 Richter Ave. Suite C Oroville, CA 95966

Office: (530) 534-9910 Fax: (530) 534-9915

E-Mail: sales@tiledspas.com Web Site: www.tiledspas.com



If printing as a PDF:

Page Scaling: None



DWG TYPE

Revisions

DWG NAME

FOUR SEASONS-BEVERLY HILLS

DATE

4/30/2009

SHEET

Cover Sheet

These drawings, concepts, and details contained herein are the original proprietary designs of NESPA ENTERPRISES, developed over many years of experience in the industry and as such are protected by the copyright laws of the United States Government. Reproduction of any of the above without written permission to do so by NESPA ENTERPRISES, is illegal.

SPECIFICATIONS	
DRY WEIGHT:	2850
TOTAL WEIGHT:	16756
WATER:	1668
VOLUME:	223
WEIGHT:	13906
SURFACE AREA:	90 SQ. FT.
IAPMO#:	1138
FDA#:	2030305

SKID SUPPORT STRUCTURE* BONDED TO SPA



*SKIDS SUPPLIED BY NESPA

LIGHT NICHE



SPA BRIGHT, 120 V, 100 WATT, 50' CORD, U.L. APPROVED

SKIMMER



HAYWARD SP-1084FVE SURFACE SKIMMER W/ EQUALIZER, NSF APPROVED

MAIN DRAIN



AquaStar 32CDFLFR, 32" Channel Drain, Approved Max Flow Rate: Floor = 236 GPM @ 3.4 fps Wall = 136 GPM @ 1.9 fps V.G.B Approved Safety Drain

SIDEWALL SUCTION



Paramount SDX 10" HIGH FLOW SAFETY DRAIN Area of Opening = 43.201 in/sq Velocity @ 200 GPM = 1.485 fps V.G.B Approved Safety Drain

JET

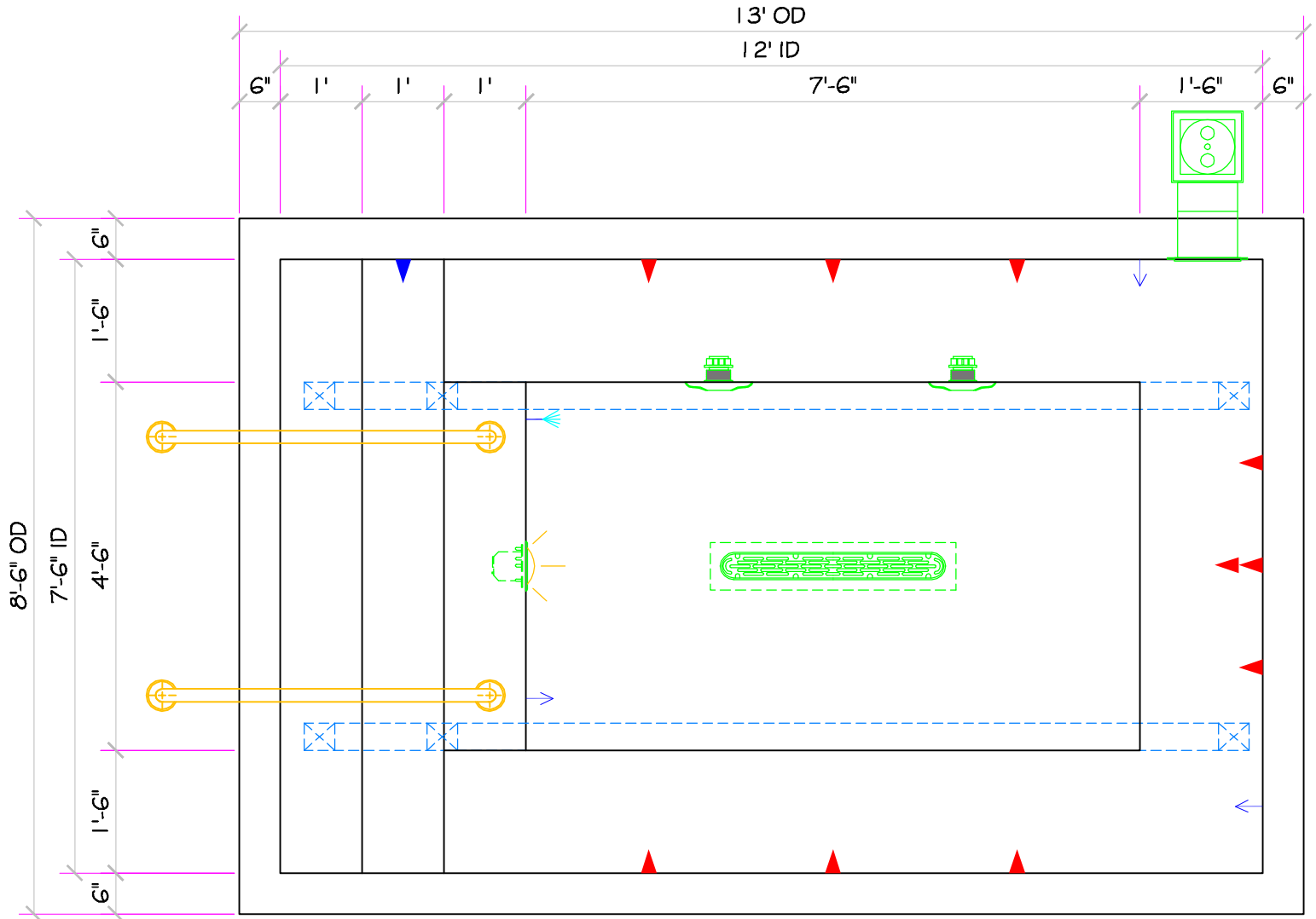
HYDRO INLETS 1-1/2" WATER - 1-1/2" AIR HYDROAIR #10-6100 COMPLIES W/ ANSI CODE ASME A112.19.8-07 U.L. APPROVED

RETURN

INLET FITTINGS 1-1/2" WALL TYPE W/ EYEBALL HYDROAIR #10-3500 COMPLIES W/ ANSI CODE ASME A112.19.8-07 U.L. APPROVED

FILL

INLET FITTINGS 1-1/2" WALL TYPE W/ EYEBALL HYDROAIR #10-3500 COMPLIES W/ ANSI CODE ASME A112.19.8-07 U.L. APPROVED



ALL DIMENSIONS SUBJECT TO 1/4" TOLERANCES

These drawings, concepts, and details contained herein are the original proprietary designs of NESPA ENTERPRISES, developed over many years of experience in the industry and as such are protected by the copyright laws of the United States Government. Reproduction of any of the above without written permission to do so by NESPA ENTERPRISES, is illegal.

NESPA ENTERPRISES INC.

2800 Richter Ave. Ste. C Oroville, CA 95966

Office: (530) 534-9910

Fax: (530) 534-9915

E-Mail: sales@tiledspas.com Web Site: www.tiledspas.com



If printing as a PDF:

Page Scaling: None

SCALE

1/2" = 1'



DWG TYPE

SD

DWG NAME

FOUR SEASONS-BEVERLY HILLS

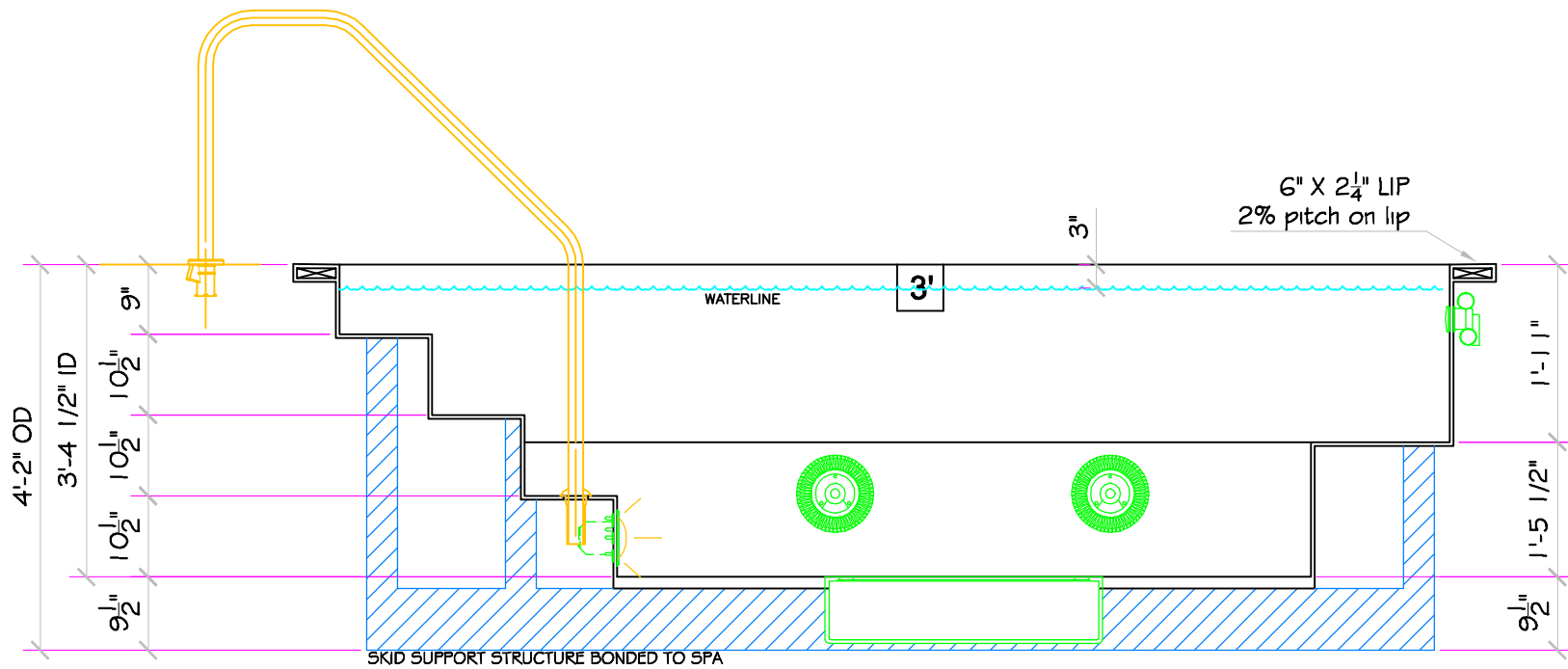
DATE

12/17/2008

SHEET

PAGE 1 OF 12

Jun 04, 2009 - 3:03pm



ALL DIMENSIONS SUBJECT TO 1/4" TOLERANCES

Jun 04, 2009 - 3:03pm

These drawings, concepts, and details contained herein are the original proprietary designs of NESPA ENTERPRISES, developed over many years of experience in the industry and as such are protected by the copyright laws of the United States Government. Reproduction of any of the above without written permission to do so by NESPA ENTERPRISES, is illegal.

NESPA ENTERPRISES INC.

2800 Richter Ave. Ste. C Oroville, CA 95966

Office: (530) 534-9910

Fax: (530) 534-9915

E-Mail: sales@tiledspas.com Web Site: www.tiledspas.com

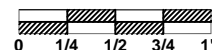


If printing as a PDF:

Page Scaling:

SCALE

1/2" = 1'



DWG TYPE

SD (Section)

DWG NAME

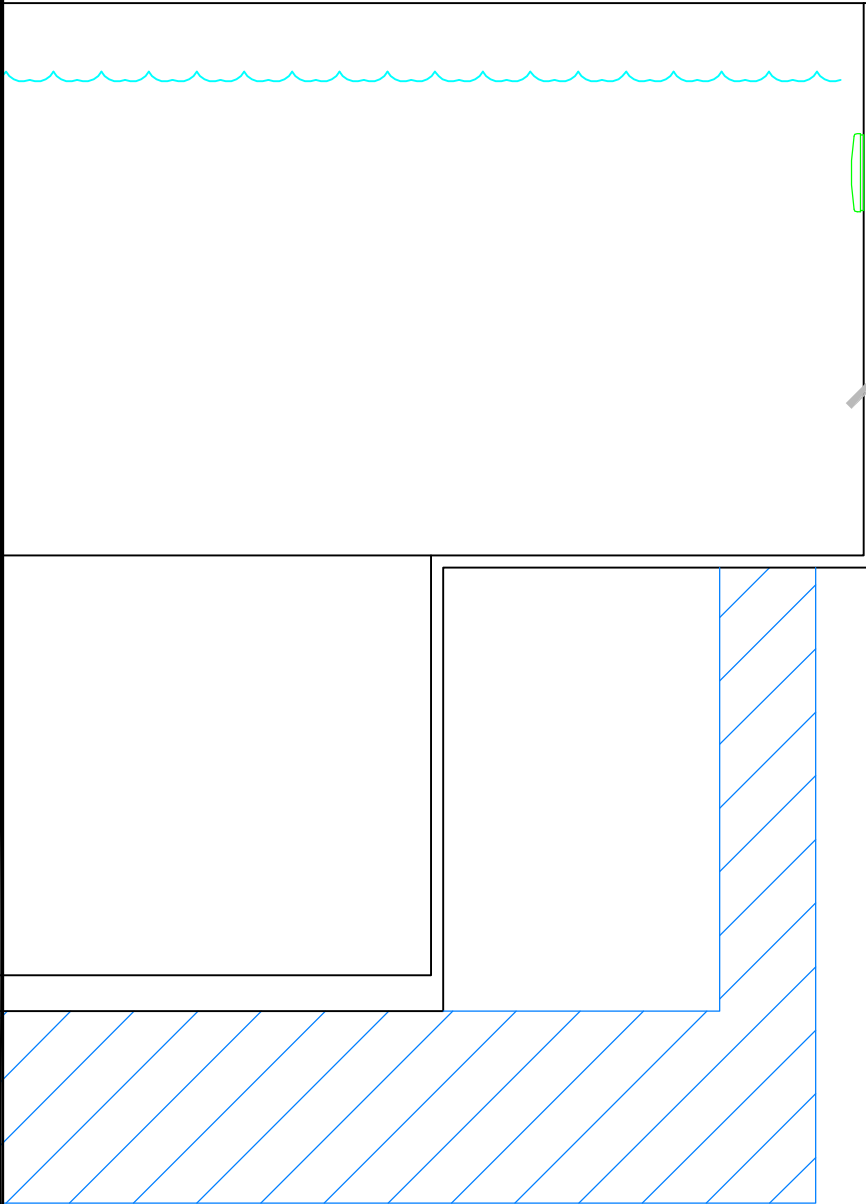
FOUR SEASONS-BEVERLY HILLS

DATE

12/17/2008

SHEET

PAGE 2 OF 12



7" Clearance
Required for
jets and
plumbing

ALL DIMENSIONS SUBJECT TO 1/4" TOLERANCES

Jun 04, 2009 - 3:03pm

NESPA ENTERPRISES INC.
2800 Richter Ave. Suite C Oroville, CA 95966
Office: (530) 534-9910 Fax: (530) 534-9915
E-Mail: sales@tiledspas.com Web Site: www.tiledspas.com



If printing as a PDF:
Page Scaling:

SCALE
1 1/2" = 1'
0 1/4 1/2 3/4 1"

DWG TYPE
Jet Detail

DWG NAME
FOUR SEASONS-BEVERLY HILLS

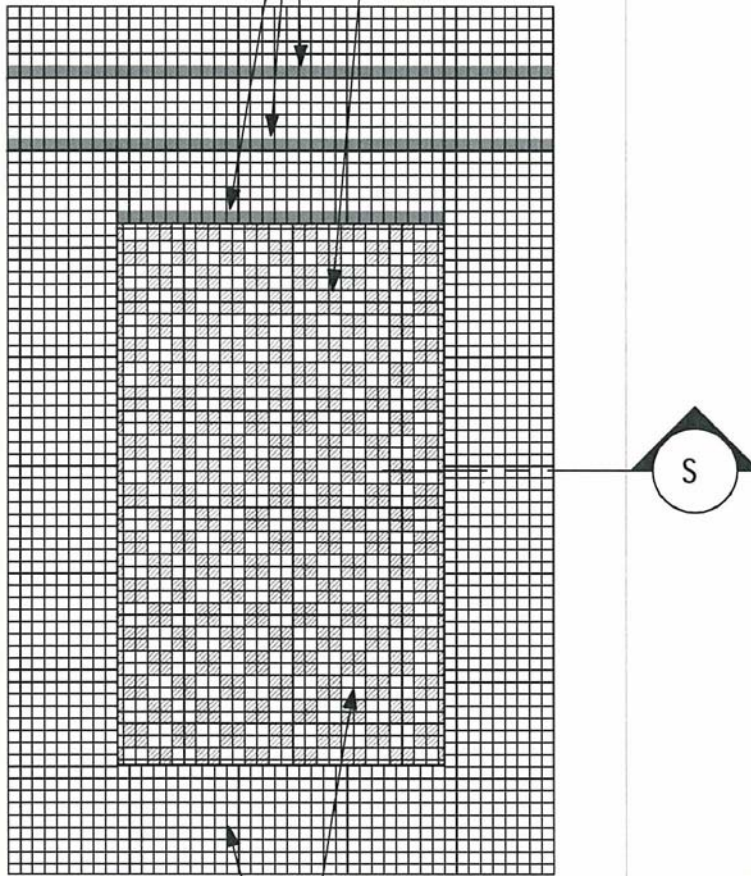
DATE
12/8/2008

SHEET
PAGE 3 OF 12

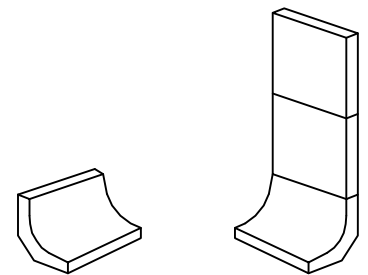
These drawings, concepts, and details contained herein are the original proprietary designs of NESPA ENTERPRISES, developed over many years of experience in the industry and as such are protected by the copyright laws of the United States Government. Reproduction of any of the above without written permission to do so by NESPA ENTERPRISES, is illegal.

DALTILE; D452 2"x2"
3/16" THK. ONE ROW
AT STEP EDGE ON
HORIZONTAL SURFACE
ONLY.

DALTILE; D152 2"x2",
3/16" THK CHECKER PATTERN.
ON LOWEST HORIZONTAL
SURFACE ONLY.



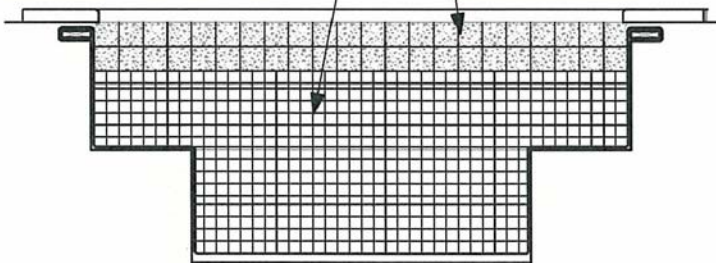
PLAN



C-833
COVE
TILE

DALTILE, D617 2"x2"
ON ALL SURFACES
EXCEPT WHERE NOTED
ON PLAN.

ACCENT TILE, DALTILE;
AQUARIUS "HUNTER
GREEN" 4"x4"x3/8" THICK.
2 ROWS HIGH, ALL ROUND.



SECTION / ELEVATION (TYP ALL SIDES)

ALL DIMENSIONS SUBJECT TO 1/4" TOLERANCES

Jun 04, 2009 - 3:03pm

NESPA ENTERPRISES INC.

2800 Richter Ave. Suite C Oroville, CA 95966

Office: (530) 534-9910

Fax: (530) 534-9915

E-Mail: sales@tiledspas.com Web Site: www.tiledspas.com

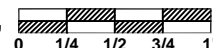


If printing as a PDF:

Page Scaling: None

SCALE

3/8"=1'-0"



DWG TYPE

TILE

DWG NAME

FOUR SEASONS-BEVERLY HILLS

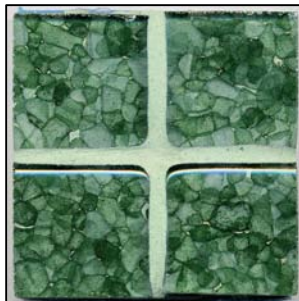
DATE

5/15/2009

SHEET

PAGE 4 OF 12

These drawings, concepts, and details contained herein are the original proprietary designs of NESPA ENTERPRISES, developed over many years of experience in the industry and as such are protected by the copyright laws of the United States Government. Reproduction of any of the above without written permission to do so by NESPA ENTERPRISES, is illegal.



ALL DIMENSIONS SUBJECT TO 1/4" TOLERANCES

Jun 04, 2009 - 3:03pm

These drawings, concepts, and details contained herein are the original proprietary designs of NESPA ENTERPRISES, developed over many years of experience in the industry and as such are protected by the copyright laws of the United States Government. Reproduction of any of the above without written permission to do so by NESPA ENTERPRISES, is illegal.

NESPA ENTERPRISES INC.

2800 Richter Ave. Ste. C Oroville, CA 95966

Office: (530) 534-9910

Fax: (530) 534-9915

E-Mail: sales@tiledspas.com

Web Site: www.tiledspas.com



If printing as a PDF:

Page Scaling:

SCALE
N/A



DWG TYPE

Tile (2)

DWG NAME

FOUR SEASONS-BEVERLY HILLS

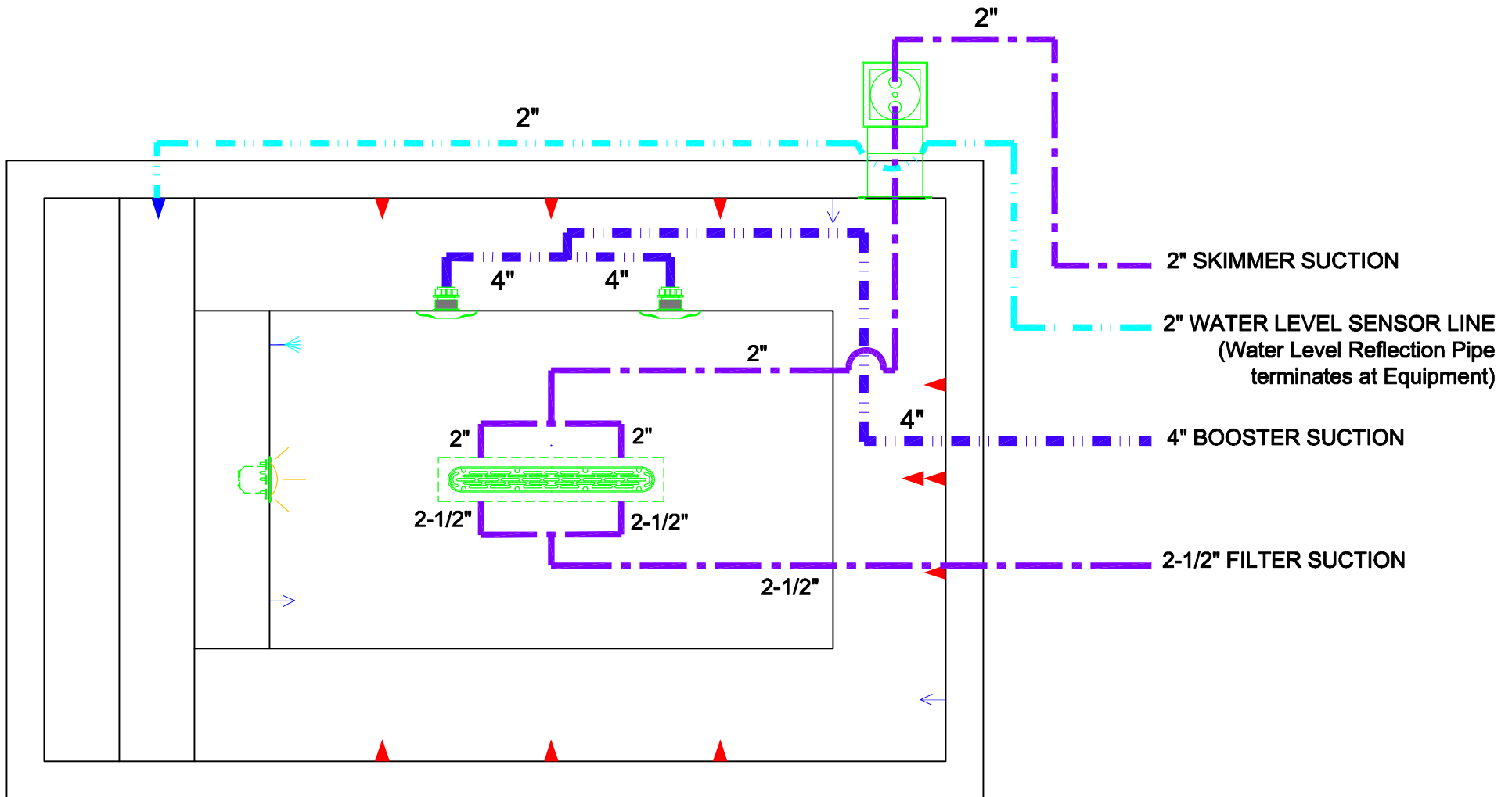
DATE

5/15/2009

SHEET

PAGE 5 OF 12

NOTE:
ALL PLUMBING TO BE RIGID PVC



ALL DIMENSIONS SUBJECT TO 1/4" TOLERANCES

Jun 04, 2009 - 3:03pm

These drawings, concepts, and details contained herein are the original proprietary designs of NESPA ENTERPRISES, developed over many years of experience in the industry and as such are protected by the copyright laws of the United States Government. Reproduction of any of the above without written permission to do so by NESPA ENTERPRISES, is illegal.

NESPA ENTERPRISES INC.
2800 Richter Ave. Ste. C Oroville, CA 95966
Office: (530) 534-9910 Fax: (530) 534-9915
E-Mail: sales@tiledspas.com Web Site: www.tiledspas.com



If printing as a PDF:

Page Scaling: None

SCALE

1/2" = 1'



DWG TYPE

Suction Plumbing

DWG NAME

FOUR SEASONS-BEVERLY HILLS

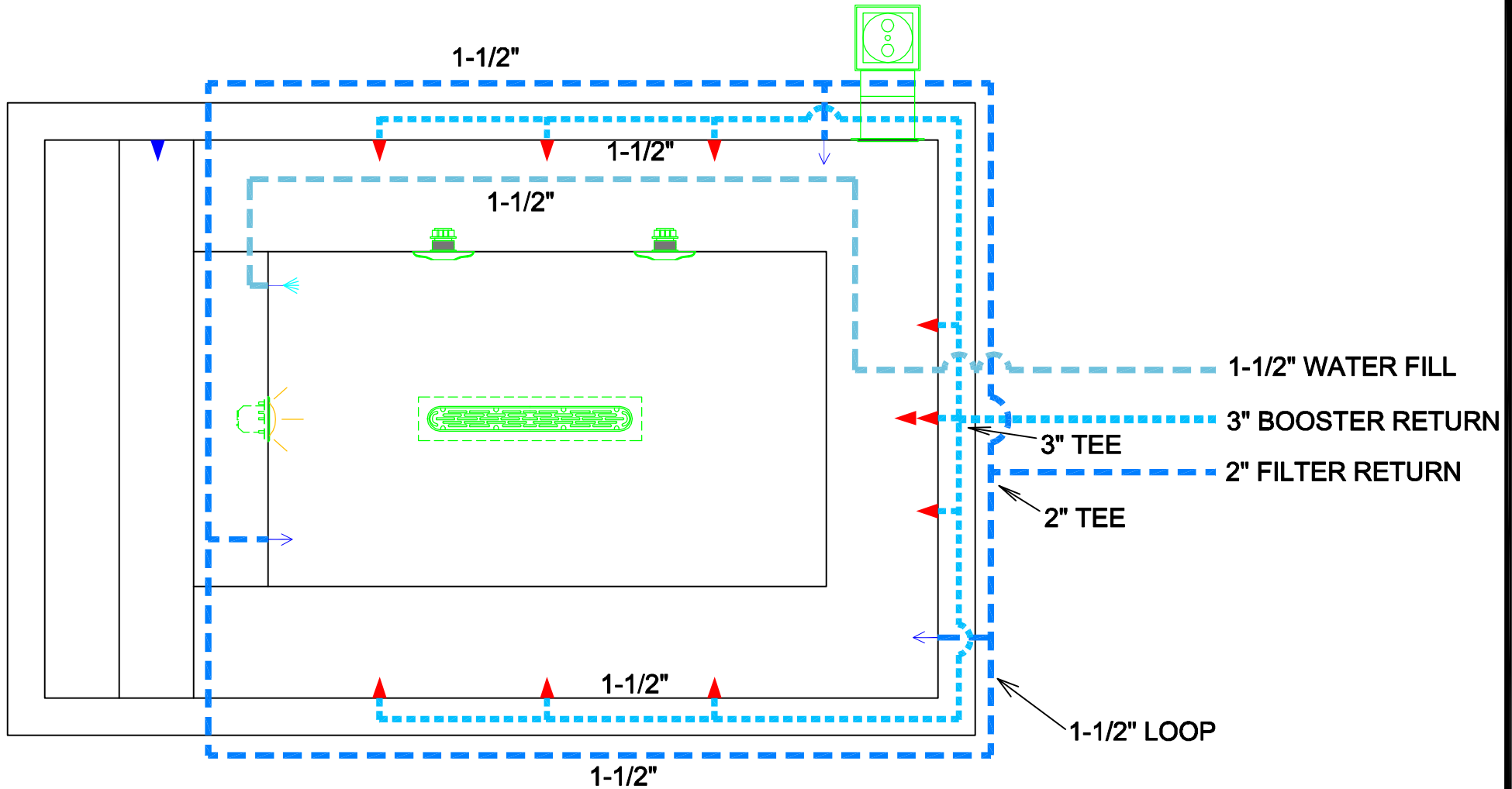
DATE

4/30/2009

SHEET

PAGE 6 OF 12

NOTE:
ALL PLUMBING TO BE RIGID PVC



ALL DIMENSIONS SUBJECT TO 1/4" TOLERANCES

Jun 04, 2009 - 3:03pm

These drawings, concepts, and details contained herein are the original proprietary designs of NESPA ENTERPRISES, developed over many years of experience in the industry and as such are protected by the copyright laws of the United States Government. Reproduction of any of the above without written permission to do so by NESPA ENTERPRISES, is illegal.

NESPA ENTERPRISES INC.
2800 Richter Ave. Ste. C Oroville, CA 95966
Office: (530) 534-9910 Fax: (530) 534-9915
E-Mail: sales@tiledspas.com Web Site: www.tiledspas.com



If printing as a PDF:

Page Scaling: None

SCALE

1/2" = 1'



DWG TYPE

Return Plumbing

DWG NAME

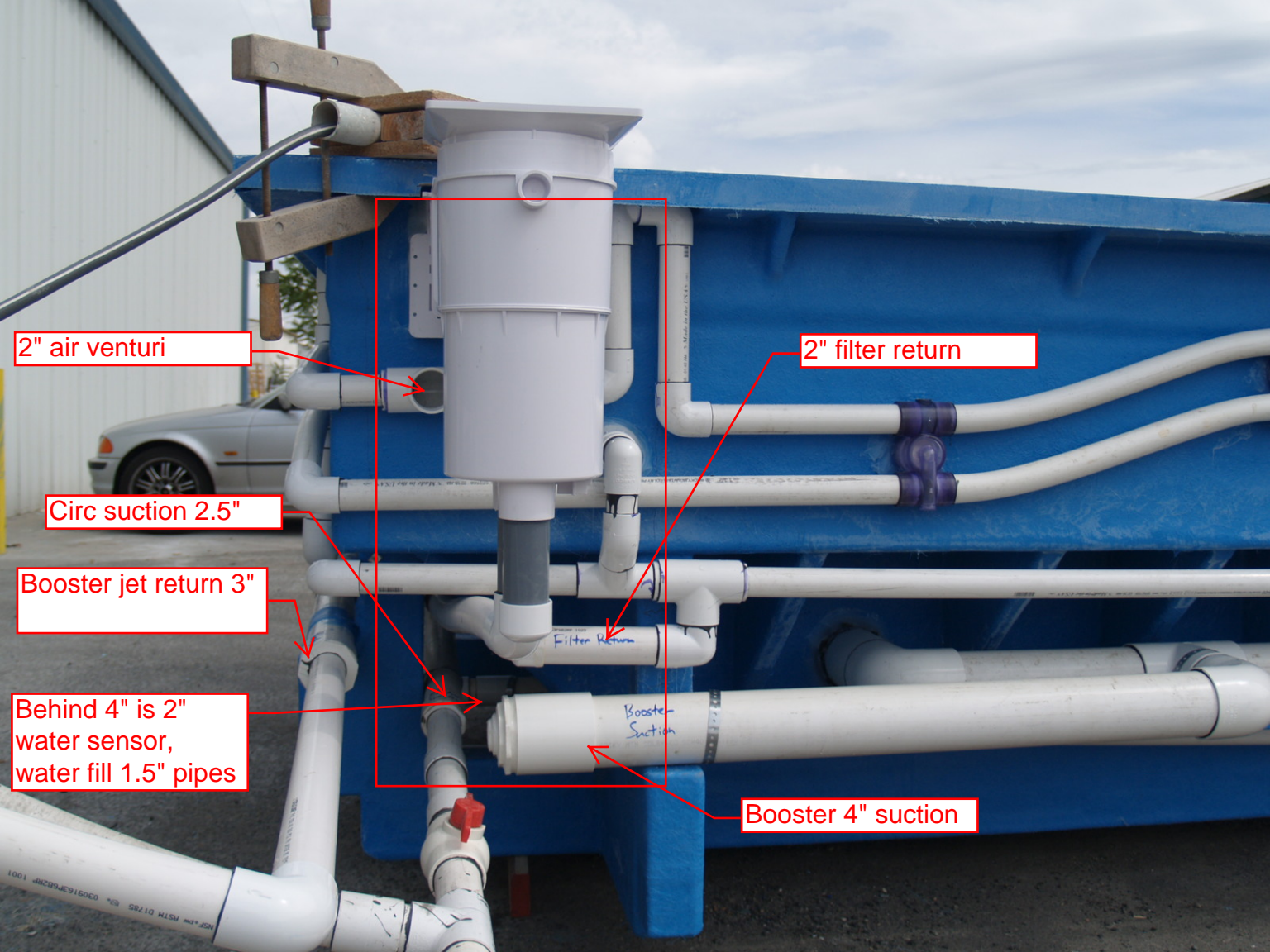
FOUR SEASONS-BEVERLY HILLS

DATE

4/30/2009

SHEET

PAGE 7 OF 12



2" air venturi

2" filter return

Circ suction 2.5"

Booster jet return 3"

Behind 4" is 2" water sensor, water fill 1.5" pipes

Booster 4" suction

Filter Return

Booster Suction

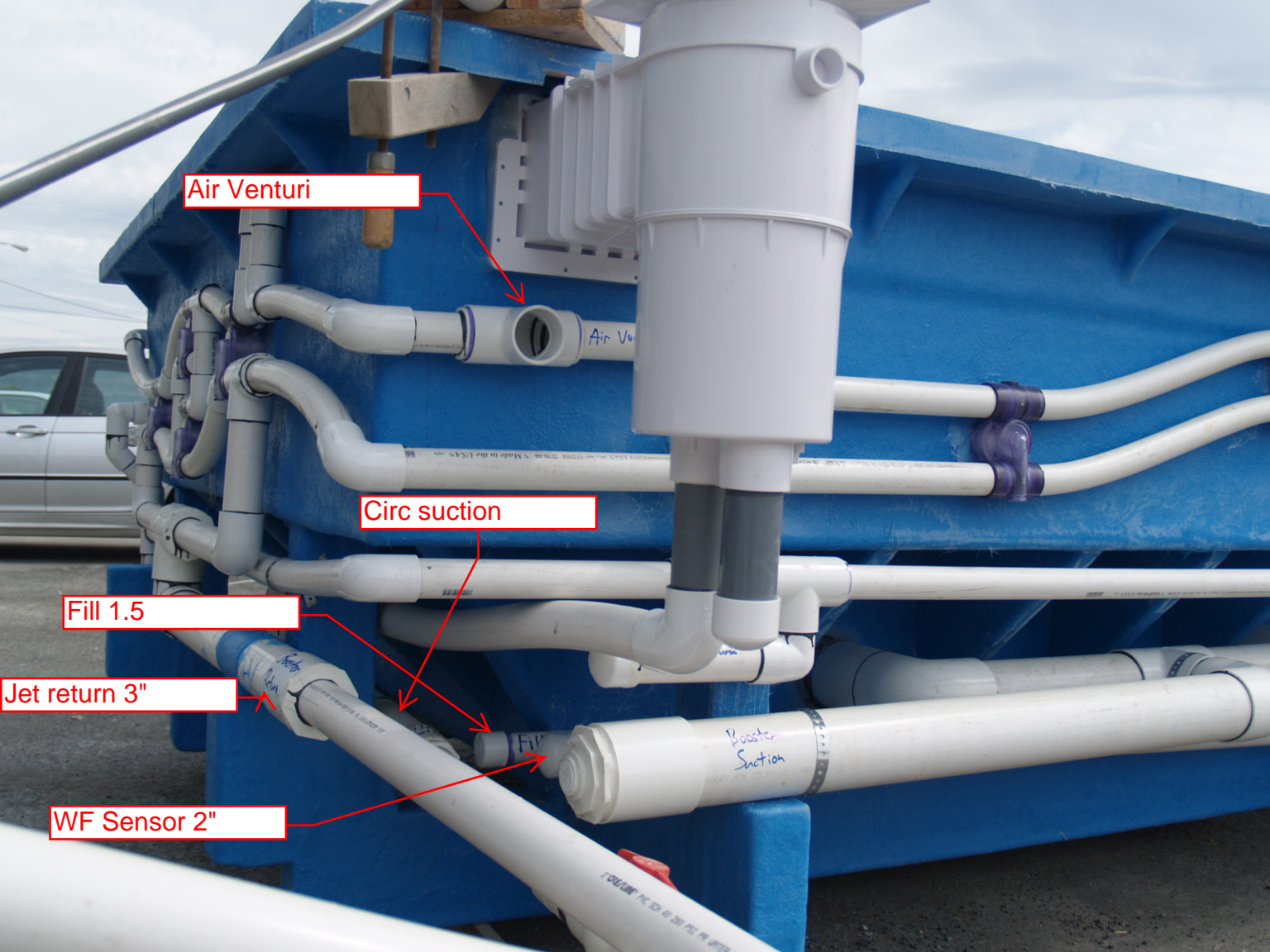
Air Venturi

Circ suction

Fill 1.5

Jet return 3"

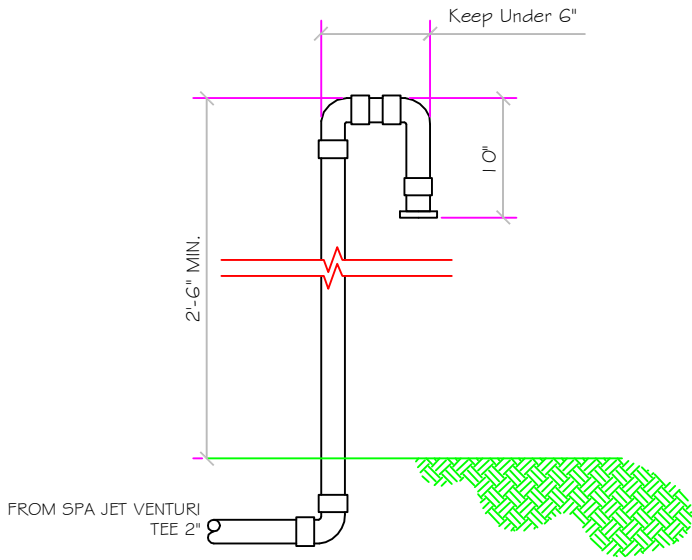
WF Sensor 2"



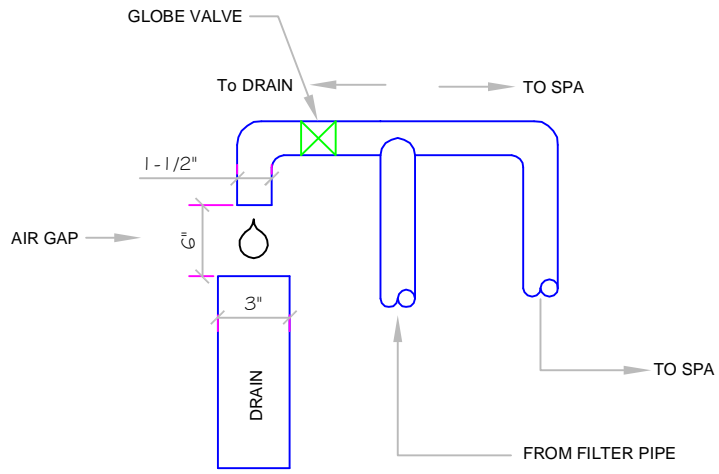


3

Booster
Return



AIR SUPPLY LOOP DETAIL



DRAIN TO WASTE DETAIL

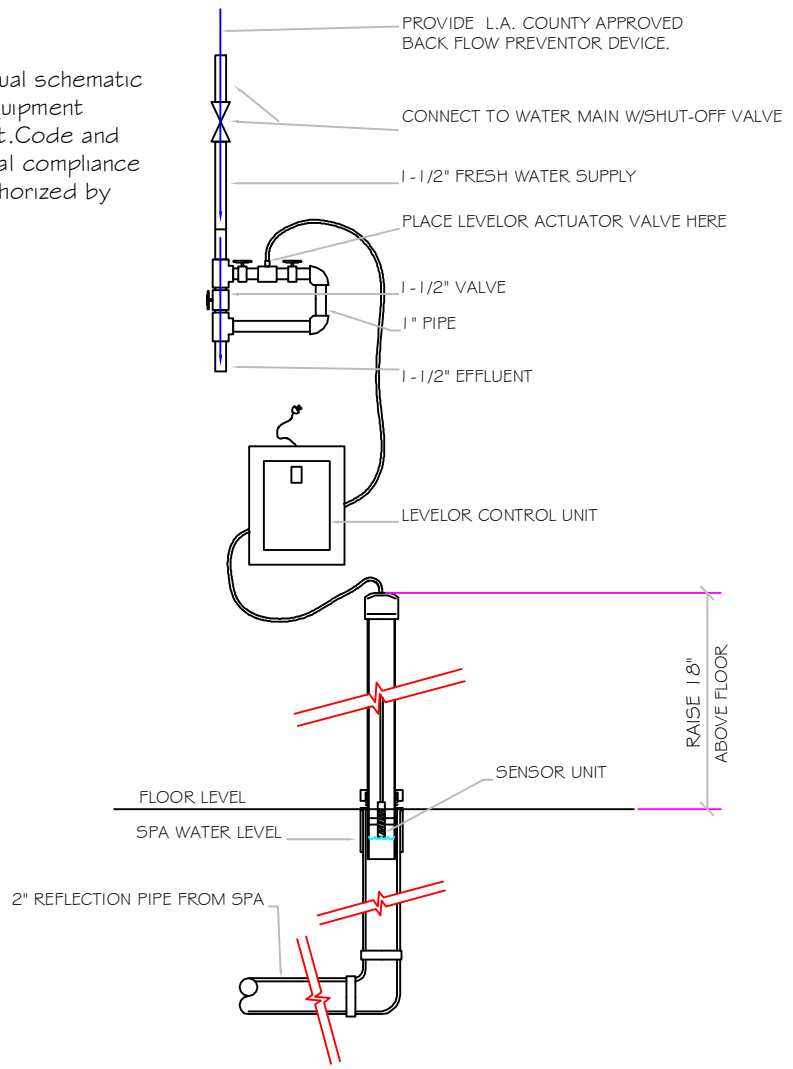
ALL DIMENSIONS SUBJECT TO 1/4" TOLERANCES

These drawings, concepts, and details contained herein are the original proprietary designs of NESPA ENTERPRISES, developed over many years of experience in the industry and as such are protected by the copyright laws of the United States Government. Reproduction of any of the above without written permission to do so by NESPA ENTERPRISES, is illegal.

NESPA ENTERPRISES INC.
 2800 Richter Ave. Ste. C Oroville, CA 95966
 Office: (530) 534-9910 Fax: (530) 534-9915
 E-Mail: sales@tiledspas.com Web Site: www.tiledspas.com



Note:
 Conceptual schematic of spa equipment placement. Code and Mechanical compliance to be authorized by engineer.



WATER LEVEL CONTROL

Jun 04, 2009 - 3:03pm

If printing as a PDF:		SCALE	DWG TYPE
Page Scaling: <input type="text" value="None"/>	<input type="text" value="None"/>	3/4" = 1'	Plumbing Detail
DWG NAME		DATE	SHEET
FOUR SEASONS-BEVERLY HILLS		8/13/2008	PAGE 8 OF 12

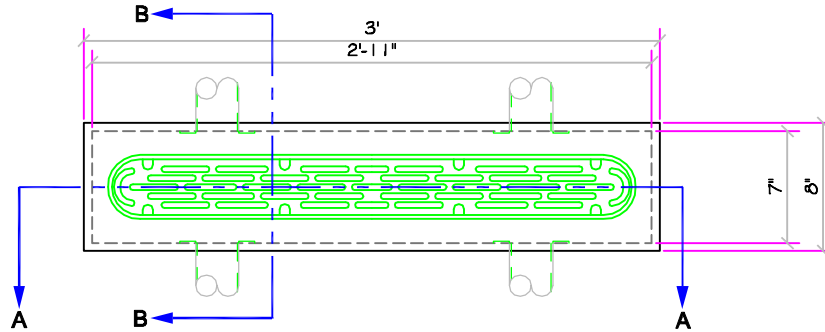
AquaStar 32CDFLFR, 32" Channel Drain,
 Approved Max Flow Rate: Floor = 236 GPM @ 3.4 fps
 Wall = 136 GPM @ 1.9 fps
 V.G.B Approved Safety Drain

IAPMO Approved
 Nespa Drain Sump
 (Fiberglass Composite)
 Listed under
 AquaStar IAPMO #SP-4900

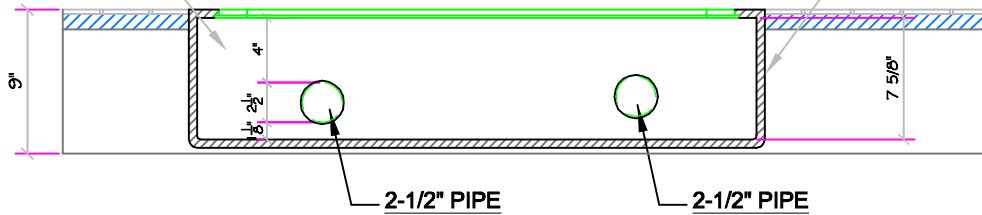
NESPA ENTERPRISES, Inc.
 Listed



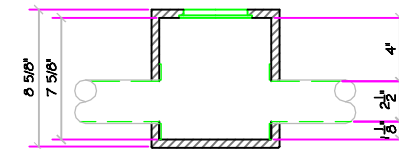
P/N -
 NESPA.32CD.4,2,2,2.5,2.5
 (530) 534 - 9910



Distance is greater than or equal to
 1-1/2 x Pipe Diameter



SECTION "A"



SECTION "B"

Note: Plumbing Flow rate of approved sump not to exceed
 VGB 2008 rating of drain grate.

Note : Sump not intended to carry load of pool or spa.
 Sump to be protected from vessel weight bearing.

ALL DIMENSIONS SUBJECT TO 1/4" TOLERANCES

These drawings, concepts, and details contained herein are the original proprietary designs of NESPA ENTERPRISES, developed over many years of experience in the industry and as such are protected by the copyright laws of the United States Government. Reproduction of any of the above without written permission to do so by NESPA ENTERPRISES, is illegal.

NESPA ENTERPRISES INC.
 2800 Richter Ave. Ste. C Oroville, CA 95966
 Office: (530) 534-9910 Fax: (530) 534-9915
 E-Mail: sales@tiledspas.com Web Site: www.tiledspas.com



If printing as a PDF:

Page Scaling: None

SCALE
 1" = 1'



DWG NAME
 FOUR SEASONS-BEVERLY HILLS

DATE
 3/16/2009

DWG TYPE
 MAIN DRAIN

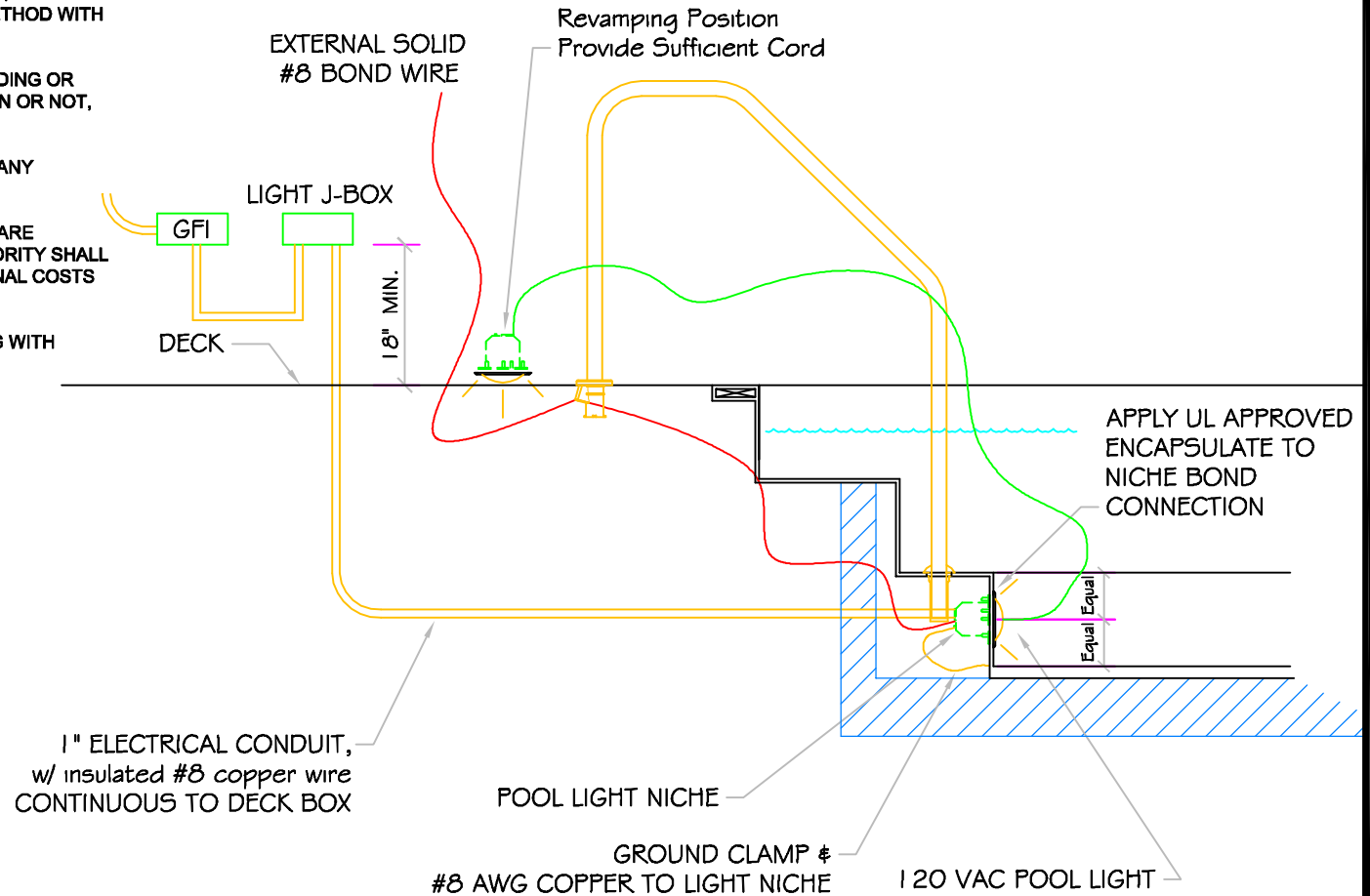
SHEET
 PAGE 9 OF 12

Jun 04, 2009 - 3:03pm

POOL BONDING REQUIREMENTS:

1. THE FOLLOWING PARTS SHALL BE BONDED TOGETHER AND CONNECTED TO THE COMMON BONDING GRID.
 - A. ALL THE METALLIC PARTS OF THE POOL STRUCTURE INCLUDING COPPING STONES, DECK, PERMANENT PLAY STRUCTURES, PERMANENT EXERCISE STRUCTURES.
 - B. ALL METAL FITTINGS WITHIN OR ATTACHED TO THE POOL STRUCTURE
 - C. METAL PARTS ASSOCIATED WITH THE POOL WATER CIRCULATING SYSTEM, INCLUDING PUMPS, FILTERS, AND HEATERS.
 - D. METAL PARTS ASSOCIATED WITH POOL COVERS
 - E. METAL SHEATHED CABLES AND RACEWAYS, METAL PIPING AND ALL FIXED METAL PARTS WITHIN 5 FEET HORIZONTALLY OF INSIDE WALLS OF POOL AND WITHIN 12 FEET ABOVE MAXIMUM WATER LEVEL OF POOL.
 - F. METAL PARTS ASSOCIATED WITH OBSERVATION STANDS, TOWERS, PLATFORMS, AND DIVING STRUCTURES.
2. BONDING CONDUCTORS SHALL BE MINIMUM #8 SOLID COPPER, INSULATED E.C. SHALL COORDINATE APPROVED CONNECTOR TYPE AND METHOD WITH LOCAL ELECTRICAL AND/ OR POOL INSPECTOR.
3. SPECIFIC MANUFACTURER'S INSTRUCTIONS REGARDING BONDING OR GROUNDING OF POOL EQUIPMENT, WHETHER INDICATED HEREIN OR NOT, SHALL BE STRICTLY FOLLOWED.
4. THE COMMON BONDING GRID SHALL NOT BE CONNECTED TO ANY ELECTRICAL DISTRIBUTION EQUIPMENT.
5. ANY PARTS IN ADDITION TO THOSE DESCRIBED HEREIN THAT ARE INDICATED BY POOL CONTRACTOR OR LOCAL INSPECTION AUTHORITY SHALL BE BONDED TO THE COMMON BONDING GRID WITH NO ADDITIONAL COSTS INCURRED BY THE OWNER.
6. THE ELECTRICAL CONTRACTOR SHALL COORDINATE BONDING WITH GENERAL CONTRACTOR.

LIGHT DETAIL



ALL DIMENSIONS SUBJECT TO 1/4" TOLERANCES

Jun 04, 2009 - 3:03pm

These drawings, concepts, and details contained herein are the original proprietary designs of NESPA ENTERPRISES, developed over many years of experience in the industry and as such are protected by the copyright laws of the United States Government. Reproduction of any of the above without written permission to do so by NESPA ENTERPRISES, is illegal.

NESPA ENTERPRISES INC.
 2800 Richter Ave. Ste. C Oroville, CA 95966
 Office: (530) 534-9910 Fax: (530) 534-9915
 E-Mail: sales@tiledspas.com Web Site: www.tiledspas.com



If printing as a PDF:

Page Scaling: None

SCALE

1/2" = 1'

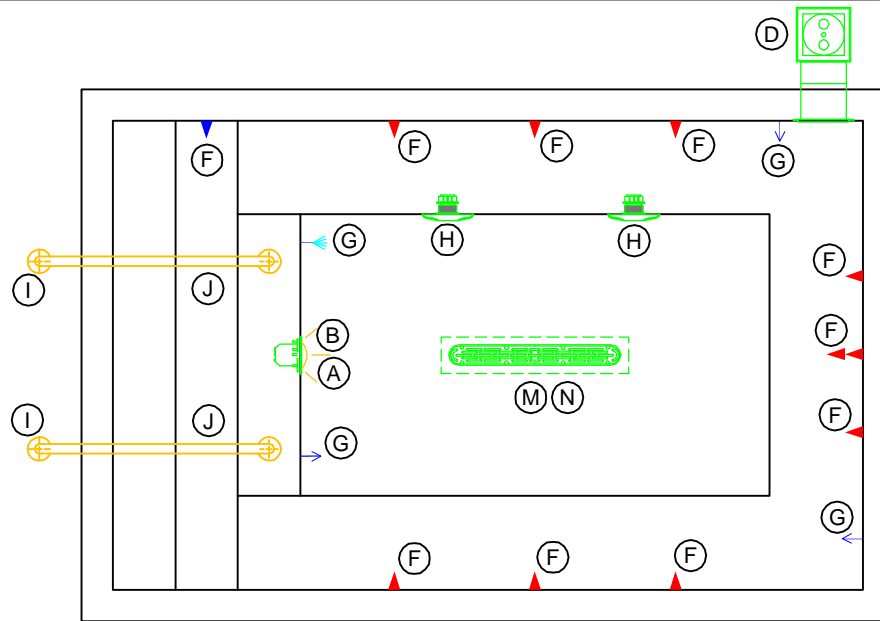


DWG TYPE
Bonding Detail

DWG NAME
FOUR SEASONS-BEVERLY HILLS

DATE
8/13/2008

SHEET
PAGE 10 OF 12



ITEM	DESCRIPTION	MANUFACTURER	CATALOG NO.	QTY.
A	LIGHT NICHE (FOR UNDERWATER LIGHT) W/ 1" HUB	PENTAIR/PACFAB	782423	1
B	SPA BRIGHT UNDERWATER LIGHT, 120 VOLT, 100 WATT, 50' CORD, U.L. APPROVED	PENTAIR/PACFAB	78108100	1
C	LIGHT J-BOX	PENTAIR/PAC FAB	78310700	1
D	SURFACE SKIMMER W/ EQUALIZER, NSF APPROVED	HAYWARD	SP-1084 FVE	1
F	HYDRO INLETS, 1 1/2" WATER, 1 1/2" AIR	HYDROAIR	10-5100	11
G	INLET FITTINGS, 1 1/2", WALL TYPE, W/ EYEBALL	HYDROAIR	10-3500	3
H	<i>Paramount</i> SDX 10" HIGH FLOW SAFETY DRAIN Area of Opening = 43.201 in/sq Velocity @ 200 GPM = 1.485 fps V.G.B Approved Safety Drain	PARAMOUNT	SDX	2
I	HAND RAIL, STAINLESS STEEL, 4' 0" LENGTH, W/ .065TUBING WALL THICKNESS	S.R. SMITH	DMS-101	2
J	BRONZE COMPRESSION CUP ANCHOR (6" X 1-1/2")	STANDARD BRONZE	PART # 5794	2
M	<i>AquaStar</i> 32CDFLFR, 32" Channel Drain, Approved Max Flow Rate: Floor = 236 GPM @ 3.4 fps Wall = 136 GPM @ 1.9 fps V.G.B Approved Safety Drain	AQUASTAR	32CDFLFR	1
N	<i>Nespa</i> MAIN DRAIN SUMP	NESPA	NESPA.32CD.4,2,2,2.5,2,5	1

ALL DIMENSIONS SUBJECT TO 1/4" TOLERANCES

Jun 04, 2009 - 3:03pm

These drawings, concepts, and details contained herein are the original proprietary designs of NESPA ENTERPRISES, developed over many years of experience in the industry and as such are protected by the copyright laws of the United States Government. Reproduction of any of the above without written permission to do so by NESPA ENTERPRISES, is illegal.

NESPA ENTERPRISES INC.
2800 Richter Ave. Ste. C Oroville, CA 95966
Office: (530) 534-9910 Fax: (530) 534-9915
E-Mail: sales@tiledspas.com Web Site: www.tiledspas.com



If printing as a PDF:

Page Scaling: None

SCALE
N/A



DWG NAME
FOUR SEASONS-BEVERLY HILLS

DATE
3/16/2009

DWG TYPE
Equipment List

SHEET
PAGE 11 OF 12

A B

AquaLight and SpaBrite
Complete Pool and Spa Lighting

High intensity compact lights from the world leader in pool and spa lighting.

High intensity compact lighting is a long lasting light source. It provides superior performance for both indoor and outdoor pool and spa lighting. AquaLight and SpaBrite lighting is available in a variety of sizes and finishes. The high intensity compact lighting technology provides long life and high performance. AquaLight and SpaBrite lighting is available in a variety of sizes and finishes.

Standard fixture colors:

- Clear/White
- Clear/Blue
- Clear/Red
- Clear/Green
- Clear/Amber
- Clear/Black
- Clear/White with Blue Lens
- Clear/White with Red Lens
- Clear/White with Green Lens
- Clear/White with Amber Lens
- Clear/White with Black Lens

© NESPA Enterprises, Inc.

D

HAYWARD MODEL SP1084 AUTO-SKIM AUTOMATIC SURFACE SKIMMER
INSTALLATION AND OPERATING INSTRUCTIONS

The Auto-Skim is a register, remote automatic skimmer for residential or commercial installation. The skimmer is shown above the standard SP1084 211/2" x 211/2" x 10" SP1084 Hayward Model Skim Valve Assembly installed into the SP1084 and SP1084 1/2" x 10" Hayward Valve and SP1084 1/2" x 10" Hayward Valve Assembly. Consult these pages for specific installation details and dimensions.

1. ASSEMBLY

A. IN-POOL ASSEMBLY - For full flow, cover skimmer with 1/2" x 10" x 10" Hayward Valve and SP1084 Hayward Model Skim Valve Assembly. Place in skimmer housing. Place Hayward Valve and SP1084 Hayward Model Skim Valve Assembly in skimmer housing. Place Hayward Valve and SP1084 Hayward Model Skim Valve Assembly in skimmer housing.

B. SKIMMER WITH MAIN DRAIN CONNECTION

A. FULL FLOW - Place Hayward Valve and SP1084 Hayward Model Skim Valve Assembly in skimmer housing. Place Hayward Valve and SP1084 Hayward Model Skim Valve Assembly in skimmer housing.

B. FULL MAIN DRAIN CONNECTION - Place Hayward Valve and SP1084 Hayward Model Skim Valve Assembly in skimmer housing. Place Hayward Valve and SP1084 Hayward Model Skim Valve Assembly in skimmer housing.

C. IN-POOL ASSEMBLY - For full flow, cover skimmer with 1/2" x 10" x 10" Hayward Valve and SP1084 Hayward Model Skim Valve Assembly. Place in skimmer housing. Place Hayward Valve and SP1084 Hayward Model Skim Valve Assembly in skimmer housing.

D. IN-POOL ASSEMBLY - For full flow, cover skimmer with 1/2" x 10" x 10" Hayward Valve and SP1084 Hayward Model Skim Valve Assembly. Place in skimmer housing. Place Hayward Valve and SP1084 Hayward Model Skim Valve Assembly in skimmer housing.

INSTALLATION INSTRUCTIONS

EQUALIZER VALVE ASSEMBLY

1. Remove skimmer from pool and clean skimmer housing. 2. Remove skimmer from pool and clean skimmer housing. 3. Remove skimmer from pool and clean skimmer housing.

MAIN DRAIN VALVE ASSEMBLY

1. Remove skimmer from pool and clean skimmer housing. 2. Remove skimmer from pool and clean skimmer housing. 3. Remove skimmer from pool and clean skimmer housing.

SKIMMER DRAIN PLUG (SP1084)

1. Remove skimmer from pool and clean skimmer housing. 2. Remove skimmer from pool and clean skimmer housing. 3. Remove skimmer from pool and clean skimmer housing.

D

SKIMMER DIMENSIONS

INSTALLATION INSTRUCTIONS

EQUALIZER VALVE ASSEMBLY

MAIN DRAIN VALVE ASSEMBLY

SKIMMER DRAIN PLUG (SP1084)

D

INSTALLATION INSTRUCTIONS

INSTRUCTIONS FOR OTHER THAN WOODS PANELS:

1. Remove skimmer from pool and clean skimmer housing. 2. Remove skimmer from pool and clean skimmer housing. 3. Remove skimmer from pool and clean skimmer housing.

INSTRUCTIONS FOR WOODS PANEL WITH VENTILLATOR:

1. Remove skimmer from pool and clean skimmer housing. 2. Remove skimmer from pool and clean skimmer housing. 3. Remove skimmer from pool and clean skimmer housing.

N

IAPMO Approved
Nespa Drain Sump
(Fiberglass Composite)
Listed under
AquaStar IAPMO #SP-4900

NESPA ENTERPRISES, Inc.
Listed

P/N -
NESPA.32CD.4.2,2,2,5,2,5
(530) 534-9910

F

1300 8000 Registered Society System
POOL/SPA Products **HydroAir**
Hydro Jet™ Series Jet Assemblies

SPECIFICATIONS:
Output: 1.0 GPM, 10 psi, 200' Head
Hole Size: 1/16" (3.18 mm) Dia.
Capacity: 1.00 to 1.50 GPM

Hydro Jet™ Stacked Jet Assemblies

10-5300 1/2" x 1/2" x 1/2" (38.1 x 38.1 x 38.1 mm)
10-5301 1/2" x 1/2" x 1/2" (38.1 x 38.1 x 38.1 mm)
10-5302 1/2" x 1/2" x 1/2" (38.1 x 38.1 x 38.1 mm)

Hydro Jet™ 2 1/2" Fitting Thread Length

10-5303 1 1/2" x 1/2" x 1/2" (38.1 x 38.1 x 38.1 mm)
10-5304 1 1/2" x 1/2" x 1/2" (38.1 x 38.1 x 38.1 mm)

Hydro Jet™ For 1 1/2" PVC Pipe Extension

10-5305 1 1/2" x 1/2" x 1/2" (38.1 x 38.1 x 38.1 mm)
10-5306 1 1/2" x 1/2" x 1/2" (38.1 x 38.1 x 38.1 mm)

Hydro Jet™ Extension - For Gunite / Hot Map

10-5307 1 1/2" x 1/2" x 1/2" (38.1 x 38.1 x 38.1 mm)
10-5308 1 1/2" x 1/2" x 1/2" (38.1 x 38.1 x 38.1 mm)

H

SDX
HIGH FLOW SAFETY DRAIN

Manufactured from a single injection-molded piece of polypropylene, the SDX drain is made of a single piece of polypropylene with a built-in safety cover. The SDX drain is made of a single injection-molded piece of polypropylene with a built-in safety cover. The SDX drain is made of a single injection-molded piece of polypropylene with a built-in safety cover.

PARAMOUNT
www.Paramount.com 800.421.8886

M

Product Specification Sheet
AquaStar pool products inc.

Description:
VGB Series 32" Channel Drain with Flat Grate Anti-Entrapment Suction Outlet Cover/Frame

Part#:

- 32CDFR101 White
- 32CDFR102 Black
- 32CDFR103 Lt. Gray
- 32CDFR104 Blue
- 32CDFR105 Dark Gray
- 32CDFR106 Bone
- 32CDFR107 Tealpe
- 32CDFR108 Tan

Features:

- Manufactured from UV resistant Super Strong ABS Plastic
- Pre-assembly, Anti-Entrapment Large Suction Curve, No Voids Required for ADAPT Operation and Ejection
- Available in 8 Colors
- Frame Size: 24.00" x 30.00" (Frame Size: 24.00" x 30.00")
- Frame Size: 24.00" x 30.00" (Frame Size: 24.00" x 30.00")
- Frame Size: 24.00" x 30.00" (Frame Size: 24.00" x 30.00")

Case Amount:
12 Per Case

1 1/2" Channel Drain, Flat, No Sump, Frame
32" Channel Drain, Flat, No Sump, Cover
32" Channel Drain, Flat, No Sump, Support
4 1/2" Flat Head Phillips Screw (20)

Paramount
www.Paramount.com 800.421.8886

ALL DIMENSIONS SUBJECT TO 1/4" TOLERANCES

These drawings, concepts, and details contained herein are the original proprietary designs of NESPA ENTERPRISES, developed over many years of experience in the industry and as such are protected by the copyright laws of the United States Government. Reproduction of any of the above without written permission to do so by NESPA ENTERPRISES, is illegal.

NESPA ENTERPRISES INC.
2800 Richter Ave. Ste. C Oroville, CA 95966
Office: (530) 534-9910 Fax: (530) 534-9915
E-Mail: sales@tiledspas.com Web Site: www.tiledspas.com



If printing as a PDF:
Page Scaling: None

DWG NAME
FOUR SEASONS-BEVERLY HILLS

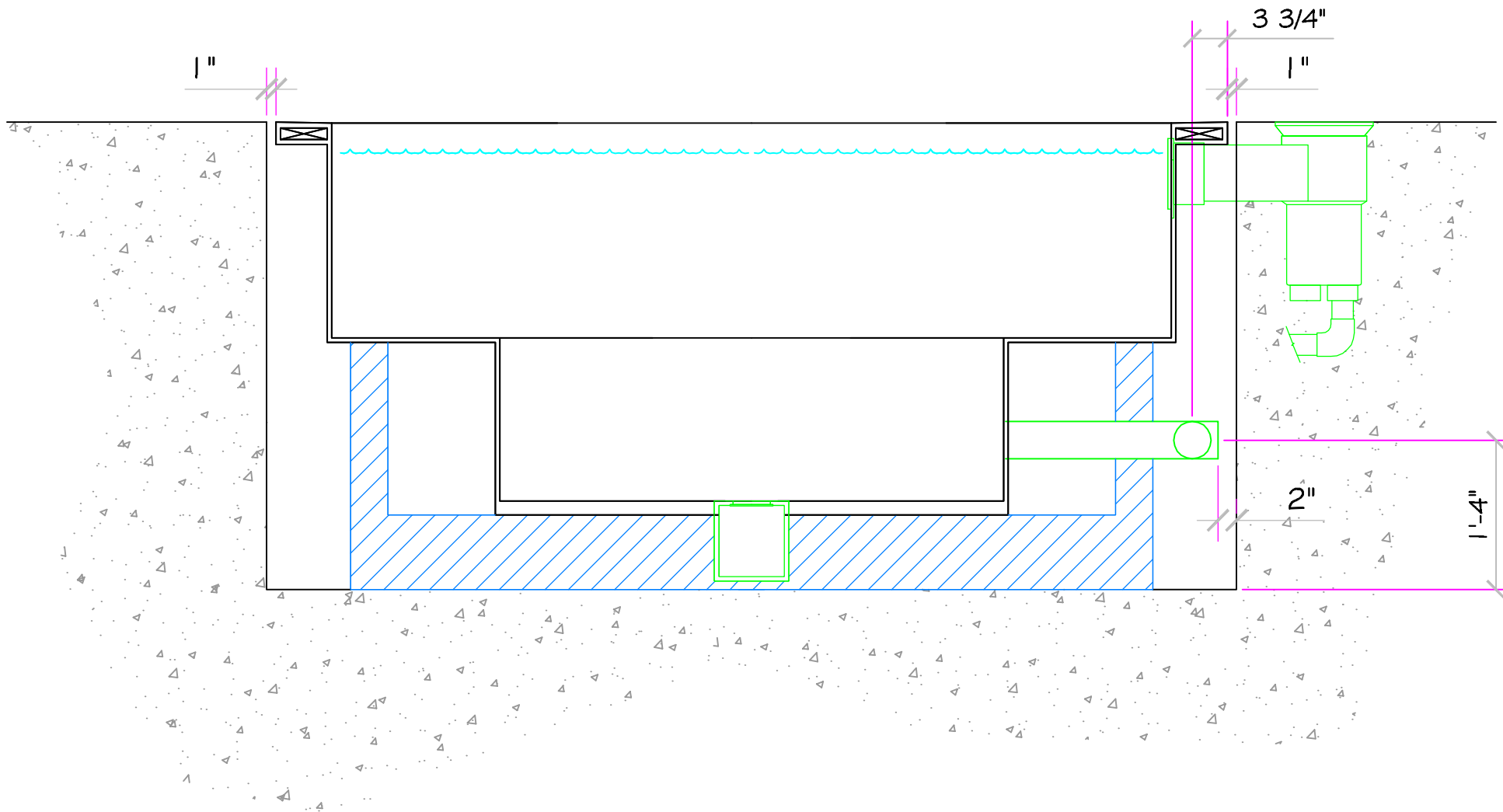
SCALE
N/A

DATE
12/17/2008

DWG TYPE
Equipment DCOS

SHEET
PAGE 12 OF 12

Jun 04, 2009 - 3:03pm



SCALE 3/4" = 1'

PLOT TIME

Jun 04, 2009 - 3:04pm

DWG NAME

FOUR SEASONS-BEVERLY HILLS

DWG TYPE

FAB1

STANDARD NESPA IN-GROUND INSTALLATION INSTRUCTIONS **SET-UP AND EXCAVATION**

Prerequisites: Before installing your Nespa spa. You may be required to acquire a permit from your local State, County, and City building dept and or Health department. (Commercial jobs need Health Dept. Approval). Your spa installation must comply with the most current codes. (**Uniform Swimming Pool, Spas & Hot Tub Code 2006 (USPC 2006)**).

Spa drawings: Request from Nespa a current spa specific construction detail, plan and section, spa plumbing detail.

Delivery Access: Clearly determine the method of getting the spa to jobsite and into the hole. This may require the use of a crane, forklift, hoist, backhoe and/or manpower etc.

- 1) The following instructions are general guidelines and may not apply to your specific jobsite conditions. When excavating for your spa remember to provide for plumbing and light connection clearances. In order to determine how to excavate for your spa or swim spa, measure spas outside dimension (O.D.) and add minimum 3" to all sides. This 3" clearance is to accommodate jet and suction plumbing. This 3" clearance can change or be reduced upon request. Note: skimmer location, this area may have to be larger than 3", if commercial 22".
- 2) **Freeze Climates-** If the spa is placed into a vault (typical of freeze climates) a standard 18" or more of clearance minimum from spa perimeter should be provided. This dead air space is for possible future access to spa plumbing in case of a freeze. Area drain is mandatory. **Ask your local installer** for his experienced opinion. Do not hesitate to call us because we want to be sure that your installation progresses as smoothly as possible. If you have questions call us. (888) 479-4677.
- 2) **Hole depth** is determined by spa's outside height dimension. This height may vary depending if spa has skids or no skids. The spa lip may be finished or non-finished. How is the perimeter deck elevation transitioning to the spa? Focus on the finish surrounding deck elevations, thickness of the finish material on spa upper horizontal lip, equal to lip or under the spa lip. This material can be tile, stone, concrete or brick.
- 3) **Preplumb** the spa before it goes into the hole. If there are needs for electrical, bonding or control conduits run them as well before dropping in hole. Connect bond wire to niche would be best.
- 4) **Spa should sit on level 3 ½" thick reinforced concrete pad. Sweep debris off pad prior to dropping in hole.**
- 5) **Install spa** into the hole on top of concrete pad. Use the Eye bolts provided for crane, forklift etc. rigging. Do not hold onto pipes. Use caution with suction and jet plumbing when lowering into hole. **DO NOT STRESS FITTINGS!** Fill Spa with water and check for leaks prior to backfill.

- 6) **Check site reference** points for proper spa positioning (i.e., squaring to house, garage, etc.).
- 7) **Shim to level spa.** Shim with non-compression able material. Re square to house, or ref. point.
- 8) **Dry pack** with cement the gaps that have been created when shimming spa level.
- 9) **Connect pipes to tees** if spa is preplumb. Installers properly support your new plumbing from stressing spas preplumb fittings. After electrical conduit and bond wire is connected to light niche, water test spa before back filling with sand.
NOTE: All Nespa products are water tested prior to leaving factory.

ELECTRICAL:

- 1) All electrical connections to spa or equipment should comply with the most recent national electrical code (NEC), state and local codes.
- 2) Connect electrical conduit to light niche. This work should be done or reviewed by a licensed electrician.
- 3) To install spa light you will need to include inside the PVC conduit to the light niche a solid #8 coated copper wire. (If you are use brass conduit, internal bond wire is not required.) This bond wire should be pulled with the light cord at the same time. This bond wire needs to be attached to the internal bonding lug of the light niche. An approved encapsulate should be applied to bond wire connection in niche.
- 4) An external #8 copper wire shall be connected to the external bonding lug on the rear of the light niche. This copper wire can then be used for additional bonding requirements (i.e., handrails or any other metallic object within 5' of the spa.

PLUMBING:

- 1) **When plumbing a Nespa it is important to properly size the plumbing. We highly recommend that you follow the pump manufacturer's pipe sizing requirements and Uniform Swimming Pool, Spas & Hot Tub Code 2006 (USPC 2006). This code book is available at www.IAPMO.org or (909) 472 4100.**
- 2) The jet air venturi should be a Hartford loop design adjacent to spa shell and air entry point can be located next to spa or remotely at equipment.
- 3) Fill spa with water and test the system for leaks PRIOR to backfilling with sand.

SAND BACK FILL:

- 1) **With water in spa, back-fill around spa perimeter with dry plaster sand and wet wash with hydraulic attachment to hose. Let set for one hour and hydraulic dry again. Be sure water level in spa is at the highest level. Any questions please call us. (888) 479-4677.**
- 2) **If spa is free standing on elevated deck or a structure, it is important to fill spa with water and load area prior to installing coping or perimeter decking. If spa is installed in a vault situation a area drain is needed.**

NESPA ENTERPRISES INC.

2800 Richter Ave. Suite E

Oroville, CA 95966

Office: (888) 479-4677 Fax: (530) 534-9915

E-Mail: nespa@pacbell.net www.tiledspas.com

IN-GROUND

INSTALLATION

ALL DIMENSIONS SUBJECT TO 1/4" TOLERANCES

SCALE: 1/2" = 1'-0"

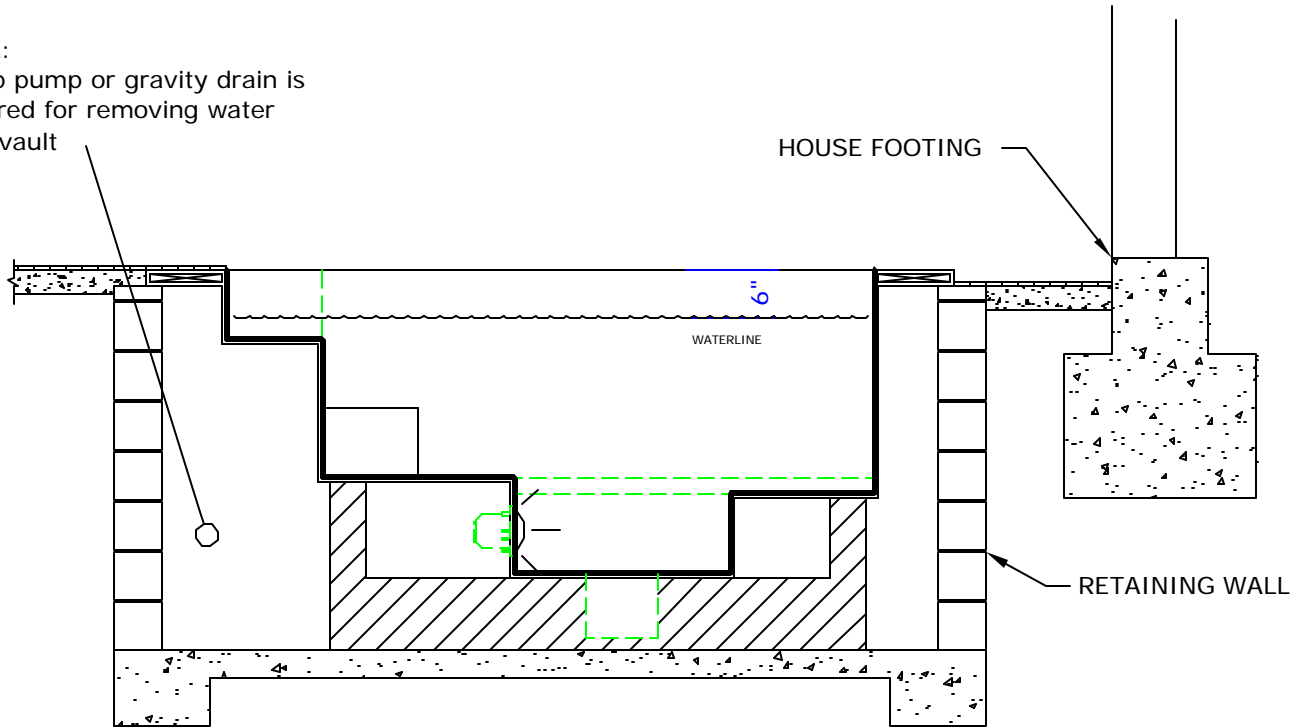
DATE: 3/27/02

JOB : STANDARD INSTALL

DW #: SI-1, SI-2

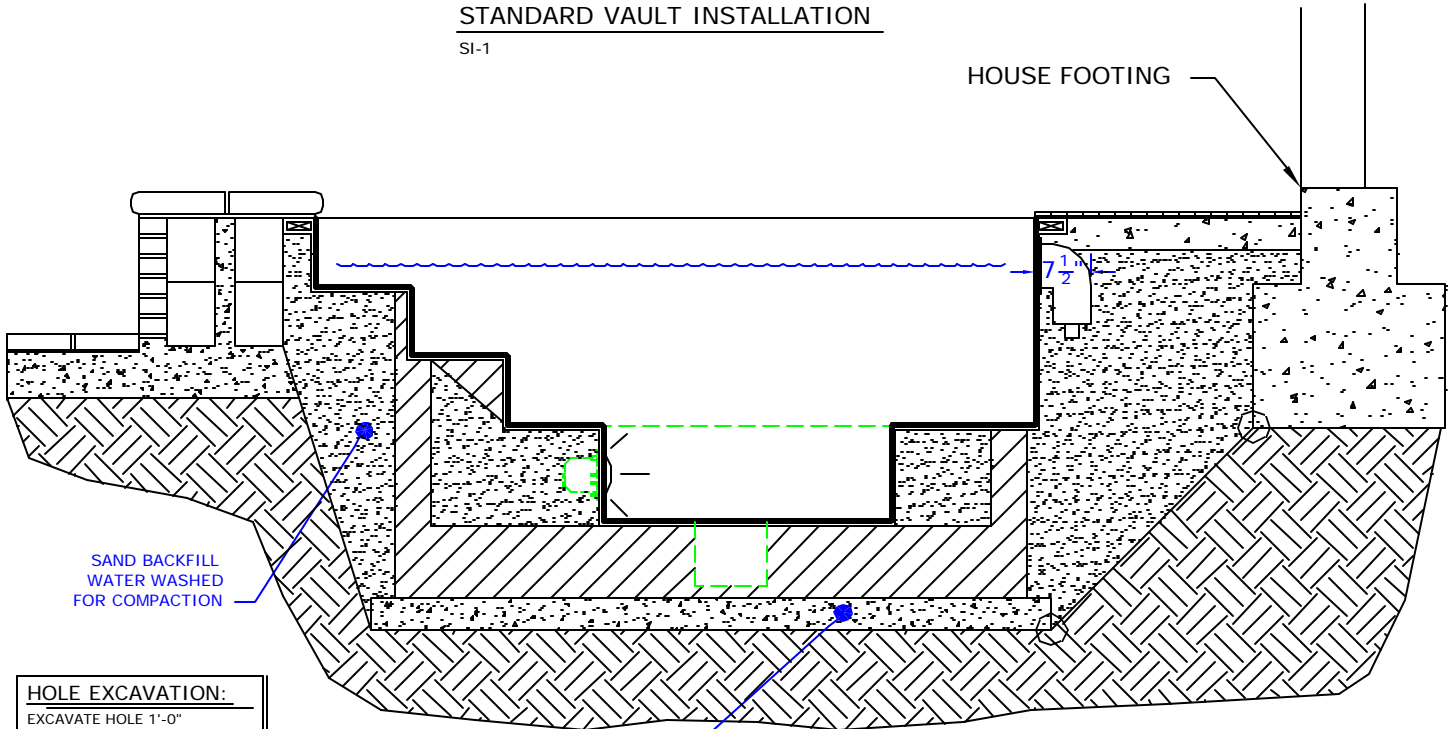
NOTE:

Sump pump or gravity drain is required for removing water from vault



STANDARD VAULT INSTALLATION

SI-1



HOLE EXCAVATION:

EXCAVATE HOLE 1'-0" LARGER THAN THE OUTSIDE DIAMETER (OD) OF SPA

4" CONCRETE SLAB REINFORCED WITH #10 MESH

STANDARD INGROUND INSTALLATION

SI-2

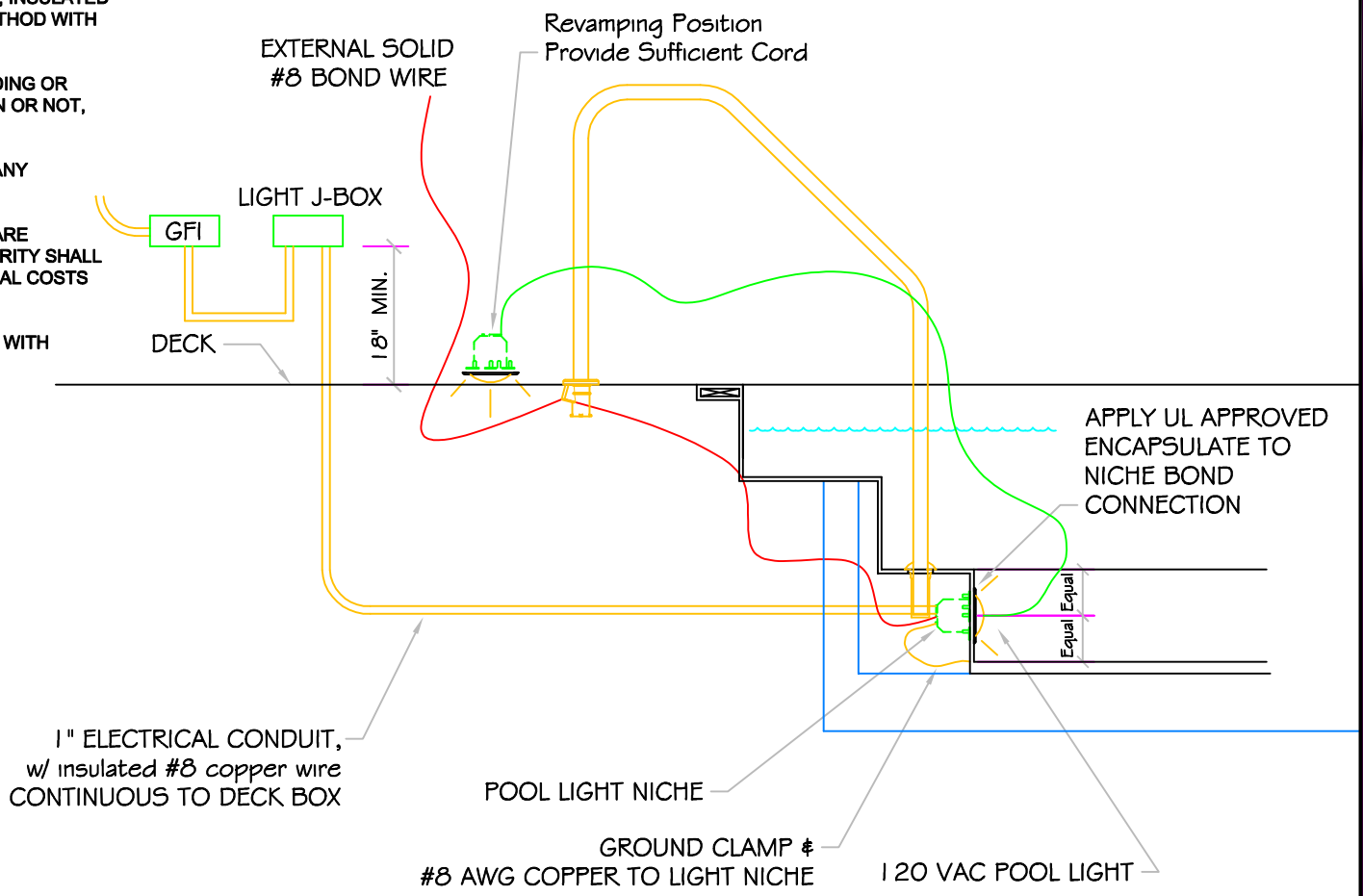
NOTE:

Footing can not surcharge spa. Slope from bottom of slab to nearest corner of house footing must not exceed 1" = 1".

POOL BONDING REQUIREMENTS:

1. THE FOLLOWING PARTS SHALL BE BONDED TOGETHER AND CONNECTED TO THE COMMON BONDING GRID.
 - A. ALL THE METALLIC PARTS OF THE POOL STRUCTURE INCLUDING COPING STONES, DECK, PERMANENT PLAY STRUCTURES, PERMANENT EXERCISE STRUCTURES.
 - B. ALL METAL FITTINGS WITHIN OR ATTACHED TO THE POOL STRUCTURE
 - C. METAL PARTS ASSOCIATED WITH THE POOL WATER CIRCULATING SYSTEM, INCLUDING PUMPS, FILTERS, AND HEATERS.
 - D. METAL PARTS ASSOCIATED WITH POOL COVERS
 - E. METAL SHEATHED CABLES AND RACEWAYS, METAL PIPING AND ALL FIXED METAL PARTS WITHIN 5 FEET HORIZONTALLY OF INSIDE WALLS OF POOL AND WITHIN 12 FEET ABOVE MAXIMUM WATER LEVEL OF POOL.
 - F. METAL PARTS ASSOCIATED WITH OBSERVATION STANDS, TOWERS, PLATFORMS, AND DIVING STRUCTURES.
2. BONDING CONDUCTORS SHALL BE MINIMUM #8 SOLID COPPER, INSULATED E.C. SHALL COORDINATE APPROVED CONNECTOR TYPE AND METHOD WITH LOCAL ELECTRICAL AND/ OR POOL INSPECTOR.
3. SPECIFIC MANUFACTURER'S INSTRUCTIONS REGARDING BONDING OR GROUNDING OF POOL EQUIPMENT, WHETHER INDICATED HEREIN OR NOT, SHALL BE STRICTLY FOLLOWED.
4. THE COMMON BONDING GRID SHALL NOT BE CONNECTED TO ANY ELECTRICAL DISTRIBUTION EQUIPMENT.
5. ANY PARTS IN ADDITION TO THOSE DESCRIBED HEREIN THAT ARE INDICATED BY POOL CONTRACTOR OR LOCAL INSPECTION AUTHORITY SHALL BE BONDED TO THE COMMON BONDING GRID WITH NO ADDITIONAL COSTS INCURRED BY THE OWNER.
6. THE ELECTRICAL CONTRACTOR SHALL COORDINATE BONDING WITH GENERAL CONTRACTOR.

LIGHT DETAIL



ALL DIMENSIONS SUBJECT TO 1/4" TOLERANCES

These drawings, concepts, and details contained herein are the original proprietary designs of NESPA ENTERPRISES, developed over many years of experience in the pool and spa industry and as such are protected by the copyright laws of the United States Government. Reproduction of any of the above without written permission to do so by NESPA ENTERPRISES, is illegal.

NESPA ENTERPRISES INC.
 2800 Richter Ave. Ste. C Oroville, CA 95966
 Office: (530) 534-9910 Fax: (530) 534-9915
 E-Mail: sales@tiledspas.com Web Site: www.tiledspas.com



SIZE A	DWG NAME DETAILS	DWG TYPE Detail
SCALE 1/2" = 1'	DATE 7/24/2008	SHEET PAGE 1 OF 1

NESPA ENTERPRISES, Inc. LIMITED WARRANTY

This LIMITED WARRANTY covering NESPA products is extended to the ORIGINAL PURCHASER-USER BY NESPA ENTERPRISES Inc.(NESPA), 2800 Richter Ave. Unit C California 95966.

NESPA products are thoroughly inspected and tested prior to factory shipment. NESPA warrants to the ORIGINAL PURCHASER-USER that NESPA Spas and Swim Spas will be free of defect in workmanship, accessories and parts, provided said accessories and parts were manufactured by NESPA. NESPA, under this LIMITED WARRANTY, warrants only that its Spas and Swim Spas shall be structurally sound, shall retain their shape, and shall retain water for the warranty period. NESPA warrants the adhesion of tile to fiberglass for a period of three (3) years and structural soundness for ten (10) years. NESPA warrants epoxy grout adhesion for a period of three years. If any such defects appear and are reported within the warranty period, NESPA shall repair or replace such defective parts without charge if an inspection proves the claim.

The provisions of the LIMITED WARRANTY shall not apply to tile cracked, split, chipped or damaged after the product has left the factory, nor damage to tile caused by freezing nor to damage, defect, malfunction or failure to conform with the above warranty provisions where the damage, defect, malfunction or failure to conform was caused during shipment or by distributor or by unreasonable use by ORIGINAL PURCHASER-USER including improper water balance and improper sand pack or support.

This LIMITED WARRANTY shall not apply to any plumbing, equipment, or installation of spas and Swim Spas and shall not apply to any alterations made to or upon NESPA products except alterations made by NESPA employees or NESPA authorized representatives.

This LIMITED WARRANTY is expressly in lieu of all other warranties expressed or implied including the warranties of merchantability and fitness for use and all other obligations or liabilities on NESPA'S part, and NESPA neither assumes nor authorizes any other person to assume for NESPA any other liability in connection with the sale of this NESPA product. This LIMITED WARRANTY shall not apply to this NESPA product or any part thereof which has been subject to accident, negligence, alteration, abuse or misuse. NESPA makes no warranty whatsoever with respect to accessories or parts not manufactured by NESPA.

The term "ORIGINAL PURCHASER-USER" as used in this LIMITED WARRANTY shall be deemed to mean that person for whom the NESPA product is originally installed.

The LIMITED WARRANTY provided herein and the obligations and liabilities of NESPA hereunder are exclusive and are in lieu of, and buyer and original PURCHASE-USER hereby waive all other remedies, warranties, guarantees or liabilities, expressed or implied, arising by law or otherwise (including without limitation and obligations of NESPA with respect to fitness, merchantability, and consequential damages) or whether or not occasioned by NESPA'S negligence.

This LIMITED WARRANTY shall not be extended, altered or varied except by a written instrument signed by NESPA and original PURCHASER-USER.