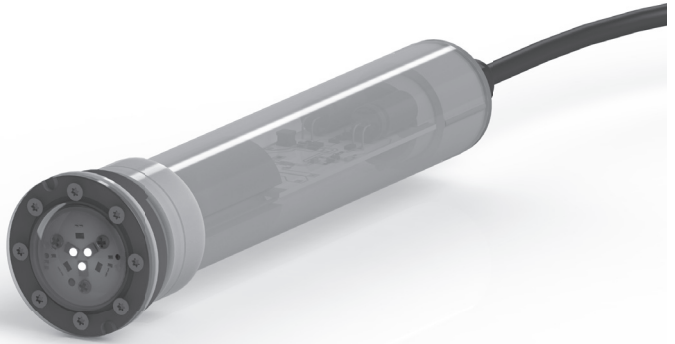




OWNER'S MANUAL

ENGLISH | FRANÇAIS | ESPAÑOL



Jandy Pro Series Nicheless LED Underwater Light

WARNING

FOR YOUR SAFETY - This product must be installed and serviced by a contractor who is licensed and qualified in pool equipment by the jurisdiction in which the product will be installed where such state or local requirements exist. The maintainer must be a professional with sufficient experience in pool equipment installation and maintenance so that all of the instructions in this manual can be followed exactly. Before installing this product, read and follow all warning notices and instructions that accompany this product. Failure to follow warning notices and instructions may result in property damage, personal injury, or death. Improper installation and/or operation will void the warranty.



Improper installation and/or operation can create unwanted electrical hazard which can cause serious injury, property damage, or death.

ATTENTION INSTALLER - This manual contains important information about the installation, operation and safe use of this product. This information should be given to the owner/operator of this equipment.

Table of Contents

Contents

- Section 1. Important Safety Instructions 3**
- Section 2. Installing the Jandy® Pro Series Nicheless LED Light 4**
 - 2.1 Preparing the Light Fixture for Installation..... 5
 - 2.2 Installing the Light Fixture 6
- Section 3. Wiring Options for Controlling Jandy Pro Series Nicheless LED Lights 7**
 - 3.1 Wiring to an AquaLink® RS Control System 7
 - 3.2 Wire Gauge and Length 8
 - 3.3 Wiring to a Switch..... 9
 - 3.4 Twelve (12) Volt Installation..... 9
- Section 4. Jandy Pro Series Nicheless Underwater LED Light Operating Instructions 10**
 - 4.1 Light Synchronization 10
 - 4.2 Operating the Light..... 11
- Section 5. Designer Lens Series Options.... 12**
- Section 6. Light Cartridge Replacement..... 13**
- Section 7. Winterizing..... 14**
- Section 8. Troubleshooting..... 15**

Section 1. Important Safety Instructions

IMPORTANT SAFETY INSTRUCTIONS PERTAINING TO A RISK OF FIRE, ELECTRIC SHOCK, OR INJURY TO PERSONS READ AND FOLLOW ALL INSTRUCTIONS

When installing and using this electrical equipment, basic safety precautions should always be followed, including the following:

DANGER

RISK OF ELECTRICAL SHOCK OR ELECTROCUTION. This underwater light must be installed by a licensed or certified electrician in accordance with the National Electrical Code® and applicable local codes and ordinances. In Canada, the Canadian Electrical Code and all applicable local codes and ordinances must be adhered to. Improper installation will create an electrical hazard, which could result in death or serious injury to pool or spa users, installers, or others due to electrical shock, and may also cause damage to property. Read and follow the specific instructions below.

WARNING

Before installing this underwater light, read and follow all warning notices and instructions accompanying this light. Failure to follow safety warnings and instructions can result in severe injury, death, or property damage.

Visit www.zodiacpoolsystems.com for additional free copies of these instructions or call Zodiac Technical Support at 800.822.7933 (U.S.) or 888.647.4004 (Canada)

CAUTION

Except when the Jandy® Pro Series Nicheless Underwater LED Lights are installed in an area of the swimming pool that is not used for swimming and the lens is adequately guarded to keep any person from contacting it, the light shall be installed in or on a wall of the pool, with the top of the lens opening not less than 4 inches (102 mm) below the normal water level of the pool.



ATTENTION INSTALLER

This manual contains important information about the installation, operation and safe use of this product. This information should be given to the owner/operator of this equipment.

SAVE THESE INSTRUCTIONS

⚠ WARNING

RISK OF ELECTRICAL SHOCK OR ELECTROCUTION, which could result in serious injury or death. The Jandy® Pro Series Nicheless LED Lights are only available for 12-volt AC power. For supply connection, use only an isolating low voltage power supply with ungrounded output, evaluated and listed by a NRTL for swimming pool use.

Section 2. Installing the Jandy Pro Series Nicheless LED Light

⚠ WARNING

Risk of Electrical Shock or Electrocution. This underwater light must be installed by a licensed or certified electrician or a qualified pool serviceman in accordance with the National Electrical Code® (Canadian Electrical Code, in Canada) and all applicable local codes and ordinances. Improper installation will create an electrical hazard, which could result in death or serious injury to pool or spa users, installers or others due to electrical shock, and may also cause damage to property.

Always disconnect the power to the light at the circuit breaker before installing or servicing the light. Failure to do so could result in death or serious injury to serviceman, pool or spa users or others due to electrical shock.

Use the chart below to determine the appropriate pipe length for your installation.

	WATTS	MINIMUM LENGTH FOR 1.5" PIPE
JLU4C9W	9W	3"
JLUW9W	9W	3"
JLU4C20W	20W	9"
JLUW20W	20W	9"
JLU4C30W	30W	14"
JLUW30W	30W	14"
All products listed above come in a variety of cord lengths. Typical cord lengths are 50, 100, & 150 feet.		

NOTE: The lights are servicable - do not remove the enclosure or cord from the conduit. No separate ground or bonding wire is required for the JLU4C9W, JLUW9W, JLU4C20W, JLUW20W, JLUW30W or JLU4C30W low voltage lights which do not have any exposed metal.

2.1 Preparing the Light Fixture for Installation

NOTE: The electrician must complete preparatory steps before light fixture is installed. See Figure 1.

Verify that the pool meets the requirements of the current National Electrical Code® (Canadian Electrical Code, in Canada) and all local codes and ordinances. A licensed or certified electrician must install the electrical system to meet or exceed those requirements before the underwater light is installed. Some of the requirements of the National Electrical Code, which the pool electrical systems must meet, are as follows:

1. The junction box or the low-voltage transformer must be located at least eight (8) inches (measured from the inside of the bottom of the junction box or transformer) above the MAXIMUM water level, OR at least four (4) inches above the ground level or pool deck, whichever is greater. The junction box or transformer must also be installed at least forty-eight (48) inches (4 ft.) from the edge of the pool. See Figure 1.
2. A standard 1.5" plastic wall / return fitting (not included) must be installed so that the top edge of the underwater light's lens is at least 4 inches (10.2 cm) below the surface of the water in the pool. See Figure 1.

NOTE: To be certain that the pool's electrical system meets all applicable requirements, the electrician should also consult the local building department.

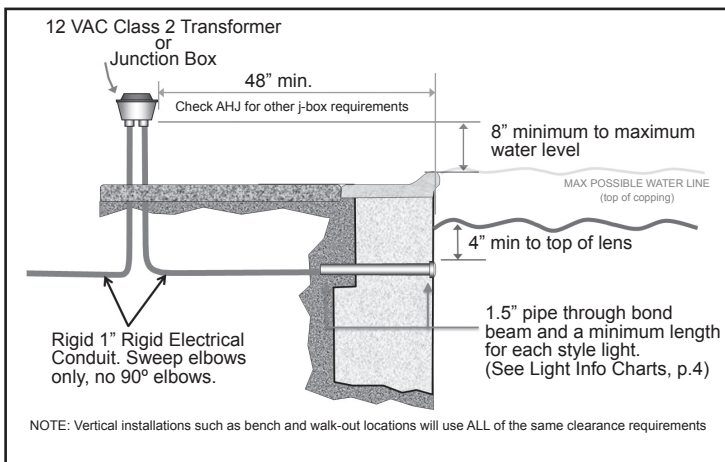


Figure 1. Jandy® Pro Series LED Light Installation with Standard 1.5" Plastic Fitting

2.2 Installing the Light Fixture

NOTE: Perform these steps *only* after the electrical system requirements are met.

1. 1.5" pipe must be installed through the bond beam with a minimum length of 14", followed by 1" conduit with sweeps only without 90 degree elbows. It is highly recommended to use 1.5" pipe throughout the entire width of the bond beam.

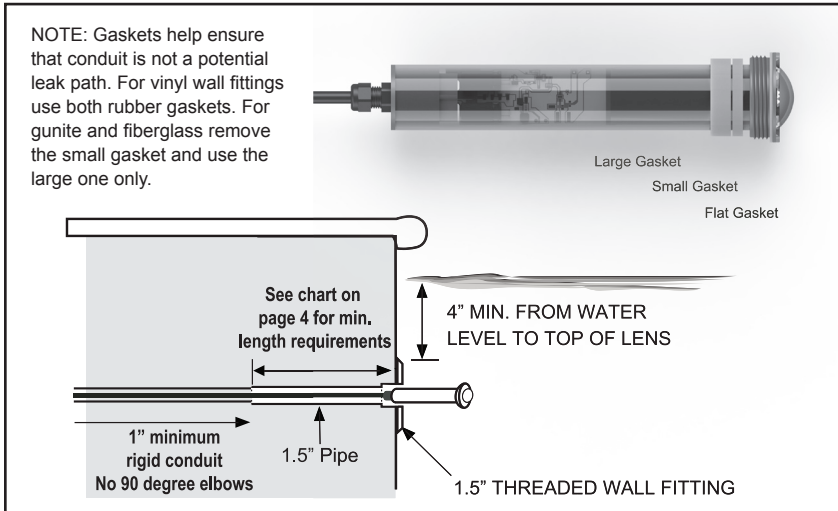
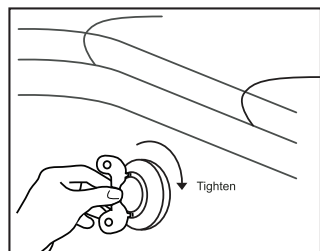


Figure 2. Standard installation with 1.5" pool wall fitting

2. Snake the 2-Conductor electric cord through the conduit outlet of the wall fitting, into the conduit and up to the location of the 12VAC pool transformer. Cut off cord after allowing for service and length of run to the transformer. 18"-24" of excess cord is recommended for the service loop. Pull the fixture snug to the wall fitting.

NOTE: When using a 1 1/2" MIP fitting on the back of a SP-1022 or SP-1408 Wall Fitting, the interior of the Spears and Dura MIP are too small for use with the Jandy® Pro Series Nicheless LED Lights.

3. Using the included Lens Key, thread the light into the wall fitting until it is snug. Please provide the pool owner with minimum of 1 key upon job completion.



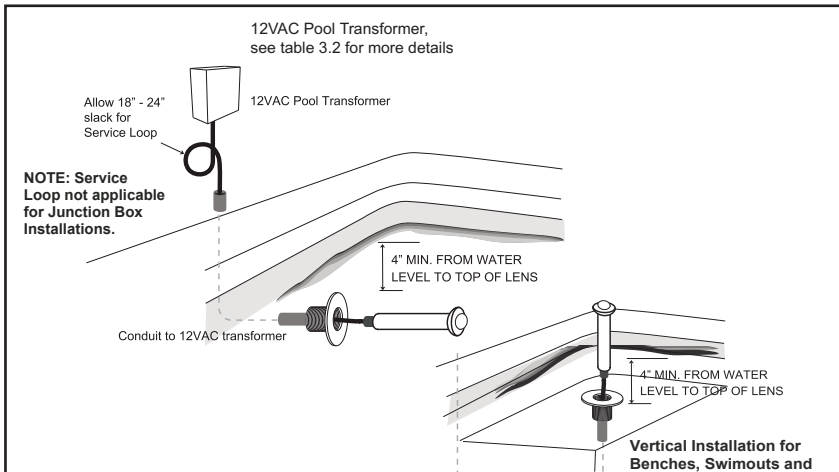


Figure 3. Standard installation with 1.5" pool wall fitting

Section 3. Wiring Options for Controlling Jandy® Pro Series Nicheless LED Lights

NOTE: Always consider the cable length when calculating the input voltage at the transformer. The maximum run of service between transformer and lights should not exceed 150ft. in length, inclusive of the use of J Box or not.

To the extent allowed by local installation codes in effect in the installation jurisdiction and capacity of the electrical equipment, multiple Jandy Pro Series lights may be controlled with a single switch and transformer so their colors may be synchronized.

IMPORTANT NOTE: All fixtures must be tied into the same transformer, circuit or switch for synchronization to occur. The use of Solid Core over Stranded wire and terminating Bus Bars is strongly recommended.

3.1 Wiring to an AquaLink® Controller

The Jandy Pro Series Nicheless LED Lights can be controlled by an AquaLink controller. Connect the transformer powering the lights to one of the auxiliary relays in the AquaLink.

Refer to Figure 4 to connect the Jandy Pro Series Nicheless LED Lights to the Power Center.

3.2 Wire Gauge and Length

CAUTION

Jandy® Pro Series Nicheless Underwater LED Lights are low voltage fixtures. Improper wire gauge and wire length can effect the performance of these products. Follow the guidelines below to determine the proper operation and optimum performance of the lights.

Voltages are determined by the measured voltage level at the Bus Bar where the transformer and cords are connected.

NOTE: Each color mode has a slightly different power draw

JLU4C9W/JLUW9W/JLU4C20W/JLUW20W Min/Max Voltage per cord length		
Cord Length	Min. Voltage	Max. Voltage
50 Feet	9.4VAC	12.4VAC
100 Feet	10.7VAC	13.2VAC
150 Feet	11.82VAC	13.8VAC

JLU4C30W & JLUW30W Min/Max Voltage per cord length		
Cord Length	Min. Voltage	Max. Voltage
50 Feet	10.34VAC	12.56VAC
100 Feet	10.9VAC	13.5VAC
150 Feet	11.43VAC	14.1VAC

WARNING

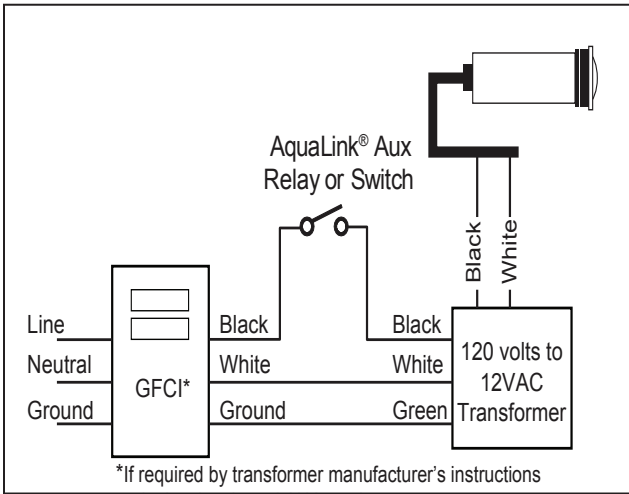
RISK OF ELECTRICAL SHOCK OR ELECTROCUTION, which could result in serious injury or death. A Ground Fault Circuit Interrupter (GFCI) for 120 Volt transformers should be used if required by the transformer manufacturer or if required by the local applicable code and/or Authority Having Jurisdiction (AHJ). When a GFCI is used, the conductors on the load side of the GFCI circuit shall not occupy conduit, boxes, or enclosures containing other conductors unless the additional conductors are also protected by a GFCI. Refer to local codes for complete details.

⚠ WARNING

RISK OF ELECTRICAL SHOCK OR ELECTROCUTION, which could result in serious injury or death. The Jandy Pro Series Nicheless LED Lights are only available for 12-volt AC power. For supply connection, use only an isolating low voltage power supply with ungrounded output, evaluated and listed by a NRTL for swimming pool use.

3.3 Wiring to a Switch

The Jandy® Pro Series Nicheless LED Lights can be wired to a switch to manually operate the lights. Refer to Figure 4 to connect the lights into the switch.



*If required by transformer manufacturer's instructions

Figure 4. Wiring Jandy Pro Series Nicheless Underwater Lights

3.4 Twelve (12) Volt Installation

A 12-14 Volt AC Transformer must be used to power all 12-Volt lights.

NOTE For optimum performance Jandy Pro Series recommends not exceeding the load factor specified by the instructions included with the transformer.

To ensure maximum safety, use only a Class 2 transformer that can supply 12-14 Volts AC to power all 12-Volt lights. The transformer must be listed or certified by a Nationally Recognized Testing Laboratory (NRTL) for the intended use.

⚠ CAUTION

To prevent risk of fire which could result in property damage, and to ensure optimum performance, do not exceed the load factor specified in the instructions provided by the transformer manufacturer.

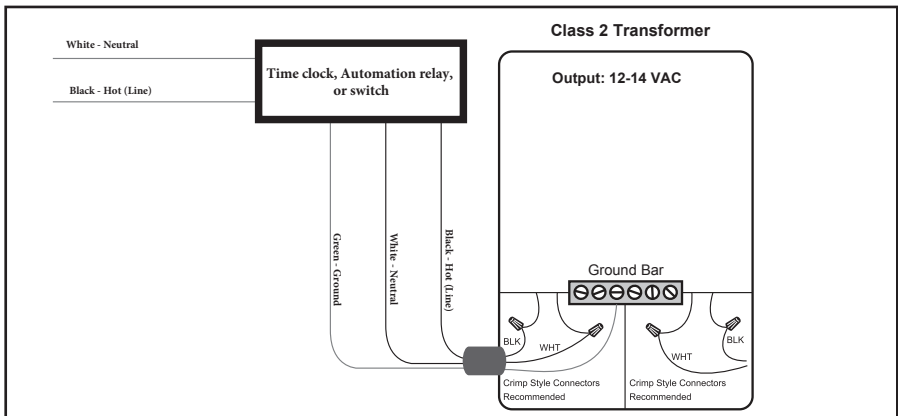


Figure 5. Wiring LED Lights to a 12 Volt Transformer

NOTE A dimmer switch or dimming relay may be used when Jandy Pro Series Nicheless WHITE ONLY lights are installed. Jandy Pro Series color lights are NOT DIMMABLE and are NOT COMPATIBLE with dimmer switches or dimmer relays.

Section 4. Jandy® Pro Series Nicheless Underwater LED Light Operating Instructions

4.1 Light Synchronization

NOTE This section only applies to the color (RGBW) lights. All fixtures must be tied into the same transformer, circuit or switch for synchronization to occur.

1. Turn the light **ON**. If the light has been off for 7 seconds or longer, the light will turn on at the last color selected.
2. To synchronize multiple lights to the same color mode, you will need to reset to the beginning of the color mode sequence. With the lights **ON**, turn them **OFF** for five (5) seconds, then turn **ON** again. All of the lights will reset to the Alpine White color mode. If all of the lights are not in the Alpine White color mode, they have not been synchronized, repeat step 2.

4.2 Operating the Light

3. To change the color mode, turn the light **OFF** for one 1-3 seconds.

Continue turning **OFF** and **ON** until the desired light color mode is reached. See Table 1 for the color mode sequence.

Example: If you followed step 3 and are now on Sky Blue and want the lights to be Violet, then the lights must be turned off and on 7 seven times to bring you to Violet.

Sequence Order	Color Modes
1	Alpine White
2	Sky Blue
3	Cobalt Blue
4	Caribbean Blue
5	Spring Green
6	Emerald Green
7	Emerald Rose
8	Magenta
9	Violet
10	Slow Color Splash
11	Fast Color Splash
12	America the Beautiful
13	Fat Tuesday
14	Disco Tech

Table 1. Color Mode Sequence

4. The lights have memory. If the lights are off for 7 seconds or more, the next time the lights are turned on, they will return to the last color mode they were on prior to being turned off (Step 1 listed above). This function allows you to keep your lights returning to your favorite color mode every time the lights are turned back on.

NOTE To synchronize colors on multiple Jandy® Pro Series Nicheless Underwater LED Light systems wired to separate switches, perform the above actions on all of their switches simultaneously. All Jandy Pro Series Nicheless Underwater LED Lights will synchronize automatically if activated by the same switch. No other accessories are required.

Section 5. Designer Lens Options

The Designer Lenses offer a unique set of options for the LED Series of lights. Each one has the ability to create unique lighting effects within the pool's interior. See the list below to learn more about the designer lens options.



HALF DOME - This escutcheon adds over the existing lens to allow you to direct 1/2 the light in a direction you want. Downwards-to light a pools interior without light shining upwards. Upwards to light a water feature or sideways to put light where it might be needed but no where else

HALO LENS - This lens allows for gentle lighting in an area but knocks down the center beam. This allows for installation on walls, etc. where there might be an opposite wall, etc. where you want to eliminate generating a “hot” spot. Great general lighting but softly.

SPOT LENS - Just the opposite of the Halo. Concentrates the light and reduces the output at wider beam angles in order to produce a spot-light effect. Great for illuminating that special feature.

CATS EYE - This lens reduces the light to just a “slice” of light that is broad but thin. An incredible effect for illuminating but without spilling light all over.

DIAMOND - WOW want to really create something special? The Diamond lens creates incredible points of light throughout the interior. The points will be different the farther away from the light they are. Put the LED colored light on DISCO TECH MODE AND WATCH THE FUN BEGIN!

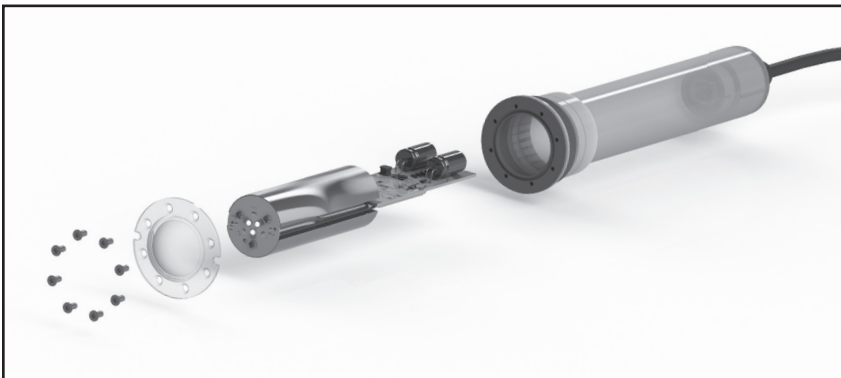
Section 6. Light Cartridge Replacement

⚠ WARNING

RISK OF ELECTRICAL SHOCK OR ELECTROCUTION, which could result in serious injury or death. The Jandy® Pro Series Nicheless LED Lights are only available for 12-volt AC power. For supply connection, use only an isolating low voltage power supply with ungrounded output, evaluated and listed by a NRTL for swimming pool use.

Always disconnect the power to the light at the circuit breaker before installing or servicing the light. Failure to do so could result in death or serious injury to serviceman, pool or spa users or others due to electrical shock.

1. Verify that the light has been disconnected from the power source and be sure that the light fixture is in a dry environment. Remove the eight (8) screws from the lens with the tool provided. Pull the lens from the fixture body. Remove and discard the O-ring between the Lens and Fixture Body.
2. Using the tool provided, insert and turn the threaded portion into the extraction hole in the face of the light cartridge. Pull the light cartridge from the housing body.
3. Insert the replacement cartridge into the housing body. Line up the TAB at the end of the circuit board with the receiving slot inside the housing body. It may be necessary to slowly turn the light cartridge until the TAB lines up with the slot.



4. Clean the lens and the enclosure of any remaining old silicone before applying new silicone and replacing the lens. Replace the O-ring with the new one provided. Attach the lens onto the fixture body. Tightly secure the eight (8) screws indicated in the diagram below. Once all screws are tight, slowly submerge in water, checking for any air bubbles - quickly remove from water bubbles appear as it indicates the seal is not water tight. retighten the screws and test for bubbles again.



SILICONE BEAD ON LENS
Apply a new silicone bead to the lens with tube provided after cleaning the lens and body of old silicone.



SCREW TIGHTENING DIAGRAM

5. Reset the fixture into the wall fitting and turn the power ON.

Section 7. Winterizing

The water level should be lowered to approximately 12 inches below the pool lights. Make certain that the water is drained out of the wall housing. Consult a Local Swimming Pool Professional for proper winterization. Minimum safeguard requires dropping the water level 2"-4" below the light. At NO TIME should there be water removed from the pool without checking ground water tables.

Section 8. Troubleshooting

Use the troubleshooting information in the following table for suggestions.

Symptom	Problem	Corrective Action
All lights fail to illuminate	Lights are not receiving power	Check 120VAC power supply into transformer. Check for 12VAC output at transformer. Check or reset GFCI. Make sure 120 volts has not been used in the installation - damage is assured and is NON WARRANTY.
One or more lights are dim, blinking or not working	Poor connection or improper wire gauge	Separate each light and independently wire 12V to the single light only. Repeat this process on each light. If junction box is being used, check for proper connection of light cord. Verify that the correct wire gauge is being used between the transformer and junction box.
Colored lights out of synch	Improper voltage supply or poor connection to the light	Verify that proper wire connections are being achieved for the lights that are out of synch. Reset all the lights to white by turning lights OFF for five (5) seconds, then turning ON

Jandy® Pro Series Nicheless Underwater LED Lights are field servicable and the cord and light body fixture should not be removed completely from the conduit or pool. There should be enough cord supplied in the service loop to remove light from wall fitting and lifted above water level for LED light cartridge replacement. If there is not enough cord in service loop or it cannot be accessed, pool water can be drained below light to access front of light.

Zodiac Pool Systems, Inc.

2620 Commerce Way, Vista, CA 92081
1.800.822.7933 | www.ZodiacPoolSystems.com

Zodiac Pool Systems Canada, Inc.

2115 South Service Road West, Unit 3 Oakville,
ON L6L 5W2
1.888.647.4004 | www.ZodiacPoolSystems.ca



ETL LISTED
CONFORMS TO
UL STD 676

CERTIFIED TO
CAN/CSA C22.2 NO.89

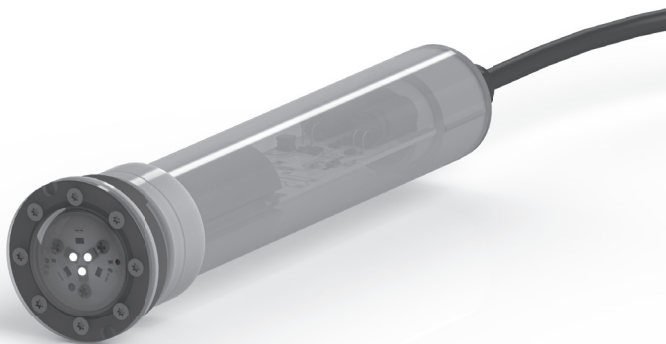
ZODIAC® is a registered trademark of Zodiac International, S.A.S.U., used under license. All trademarks referenced herein are the property of their respective owners.

©2016 Zodiac Pool Systems, Inc. H0532600 REV D



MANUEL DU PROPRIÉTAIRE

ENGLISH | FRANÇAIS | ESPAÑOL



Lampe DEL immergée sans niche Jandy Pro Series

AVERTISSEMENT

POUR VOTRE SÉCURITÉ – L'installation et l'entretien de ce produit doivent être effectués par un technicien autorisé et qualifié pour la réparation des équipements de piscine dans le territoire de compétence dans lequel ledit produit est installé lorsque de telles exigences locales, provinciales ou territoriales existent. Le responsable de l'entretien doit être un professionnel ayant une expérience suffisante dans l'installation et l'entretien des équipements de piscine de manière à ce que les consignes du présent manuel puissent être suivies à la lettre. Avant d'installer ce produit, prière de lire et de respecter toutes les consignes de mise en garde et les instructions comprises avec ce produit. Le non-respect des mises en garde et des instructions pourrait causer des dommages matériels, des blessures graves ou même la mort. L'installation ou l'utilisation inappropriée annulera la garantie.



L'installation ou l'utilisation inappropriée peuvent créer un danger électrique indésirable, lequel peut entraîner des blessures graves, des dommages matériels ou la mort.

À L'ATTENTION DE L'INSTALLATEUR – Le présent manuel contient des renseignements importants sur l'installation, le fonctionnement et la sécurité de ce produit. Ces renseignements doivent être donnés au propriétaire ou à l'utilisateur de cet appareil.

Table des matières

Contenu

Section 1. Consignes de sécurité importantes	3
Section 2. Installation de la lampe DEL sans niche Jandy® Pro Series	4
2.1 Préparation du luminaire pour l'installation	5
2.2 Installation du luminaire.....	6
Section 3. Choix de câblage pour le contrôle des lampes DEL sans niche Jandy Pro Series.....	7
3.1 Câblage à un système de contrôle AquaLink® RS	7
3.2 Longueur et calibre du câble.....	8
3.3 Câblage à un interrupteur.....	9
3.4 Installation sur un circuit de douze (12) volts	9
Section 4. Consignes de fonctionnement de la lampe DEL immergée sans niche Jandy Pro Series.....	10
4.1 Synchronisation des lampes	10
4.2 Utilisation de la lampe	11
Section 5. Options de lentilles série Designer	12
Section 6. Remplacement de cartouche de lampe	13
Section 7. Hivernage.....	14
Section 8. Dépannage.....	15

Section 1. Consignes de sécurité importantes

DIRECTIVES DE SÉCURITÉ IMPORTANTES RELATIVES À UN RISQUE D'INCENDIE, DE DÉCHARGE ÉLECTRIQUE OU DE BLESSURES AUX PERSONNES.

LIRE ET SUIVRE TOUTES LES DIRECTIVES

Au moment de l'installation et de l'utilisation de cet équipement électrique, des précautions de base doivent toujours être suivies, entre autres :

DANGER

RISQUE DE DÉCHARGE ÉLECTRIQUE OU D'ÉLECTROCUTION.

Cette lampe immergée doit être installée par un technicien breveté ou certifié en accord avec le Code national de l'électricité américain (NEC) et avec les autres codes et ordonnances applicables à l'échelle locale. Au Canada, le Code canadien de l'électricité (CCE) et tous les codes d'installation locaux applicables doivent aussi être respectés. Une installation incorrecte peut causer des dommages matériels et entraîner un risque de problème électrique (décharge électrique ou électrocution) pouvant causer des blessures graves et même la mort des installateurs ou utilisateurs de la piscine ou du spa. Lisez et respectez les instructions détaillées ci-dessous.

AVERTISSEMENT

Avant d'installer la lampe immergée, lisez et respectez toutes les consignes de mise en garde et les instructions incluses avec cette lampe. Toute effraction à ces consignes de sécurité et instructions peut causer des blessures graves ou mortelles, ou des dommages matériels.

Consultez www.zodiacpoolsystems.com pour obtenir des exemplaires gratuits supplémentaires de ces consignes ou appelez l'assistance technique Zodiac au +1-800-822-7933 (États-Unis) ou au +1-888-647-4004 (Canada)

MISE EN GARDE

Hormis lorsque les lampes DEL immergées sans niche Jandy® Pro Series sont installées dans une zone de la piscine non utilisée pour la natation et lorsque la lampe est correctement protégée pour empêcher tout contact avec une personne, celle-ci doit être installée dans ou sur une paroi de la piscine, avec le sommet de la lampe à plus de 102 mm (4 pouces) sous le niveau normal de l'eau.



À L'ATTENTION DE L'INSTALLATEUR

Ce manuel contient des renseignements importants concernant l'installation, le fonctionnement et les consignes de sécurité pour ce produit. Ces renseignements doivent être donnés au propriétaire ou à l'utilisateur de cet appareil.

CONSERVER CES DIRECTIVES

AVERTISSEMENT

RISQUE DE DÉCHARGE ÉLECTRIQUE OU D'ÉLECTROCUTION

pouvant entraîner des blessures graves ou la mort. Les lampes DEL sans niche Jandy® Pro Series ne sont disponibles qu'avec une alimentation 12 V CA. Concernant le raccordement électrique, utiliser uniquement un bloc d'alimentation séparateur à basse tension avec une sortie non mise à la terre, évalué et indiqué par le NRTL comme adapté à l'utilisation avec les piscines.

Section 2. Installation de la lampe DEL sans niche Jandy Pro Series

AVERTISSEMENT

Risque de décharge électrique ou d'électrocution. Cette lampe immergée doit être installée par un électricien agréé ou certifié, ou par un réparateur de piscine qualifié, en accord avec le Code national de l'électricité américain (le Code électrique canadien au Canada), ainsi qu'avec tout autre code ou ordonnance applicable à l'échelle locale. Une installation incorrecte peut causer des dommages matériels et entraîner un risque de problème électrique (décharge électrique ou électrocution) pouvant causer des blessures graves et même la mort des installateurs ou utilisateurs de la piscine ou du spa.

Coupez toujours le courant de la lampe au disjoncteur avant d'installer ou de réparer la lampe. Négliger cette consigne risquerait de blesser grièvement ou mortellement le réparateur, les utilisateurs du spa ou de la piscine, et toute autre personne, par décharge électrique.

Utilisez le tableau ci-dessous pour établir la longueur de tuyau convenant à votre installation.

	WATTS	LONGUEUR MINIMALE POUR UN TUYAU DE 3,81 CM (1,5 PO)
JLU4C9W	9 W	7,5 cm (3 po)
JLUW9W	9 W	7,5 cm (3 po)
JLU4C20W	20 W	22,9 cm (9 po)
JLUW20W	20 W	22,9 cm (9 po)
JLU4C30W	30 W	36 cm (14 po)
JLUW30W	30 W	36 cm (14 po)
Tous les produits répertoriés ci-dessus sont offerts avec diverses longueurs de câble. Les longueurs typiques sont : 9,1; 15,2; 30,5 et 45,7 m (30, 50, 100 et 150 pi).		

REMARQUE : Les lampes peuvent être entretenues – ne retirez pas le boîtier ou le câble du conduit. Les lampes à faible tension JLU4C9W, JLUW9W, JLU4C20W, JLUW20W, JLUW30W et JLU4C30W n'ont pas de métal exposé et n'exigent pas de câble de liaison électrique ou de mise à la terre.

2.1 Préparation du luminaire pour l'installation

REMARQUE : L'électricien doit effectuer la procédure de préparation avant d'installer la lampe. Voir l'illustration 1.

Vérifiez que la piscine respecte bien le Code national de l'électricité américain (National Electrical Code®) (ou Code canadien de l'électricité au Canada), ainsi que tous les codes et toutes les ordonnances en vigueur localement. L'installation doit être effectuée par un électricien certifié qui devra s'assurer que les exigences réglementaires sont satisfaites, voire dépassées, avant d'installer la lampe immergée. Certaines exigences du Code national de l'électricité américain auxquelles doit répondre la piscine se déclinent comme suit :

1. La boîte de jonction ou le transformateur basse tension doit être situé au moins à 20 cm (8 pouces) (mesurés depuis l'intérieur du fond de la boîte de jonction ou du transformateur) au-dessus du niveau MAXIMAL de l'eau, OU au moins à 10 cm (4 pouces) au-dessus du niveau du sol ou du bord de la piscine, selon ce qui est le plus haut. La boîte de jonction ou le transformateur peut aussi être installé au moins à 122 cm (48 pouces) du bord de la piscine. Voir l'illustration 1.
2. Une fixation murale/un raccord de retour en plastique standard de 3,8 cm (1,5 pouce) (non inclus) doit être installé de manière à ce que le bord supérieur du verre de la lampe immergée soit situé au moins à 10,2 cm (4 pouces) sous la surface de l'eau dans la piscine. Voir l'illustration 1.

REMARQUE : pour s'assurer que le système électrique de la piscine répond à toutes les réglementations applicables, l'électricien doit également consulter le Service local de construction.

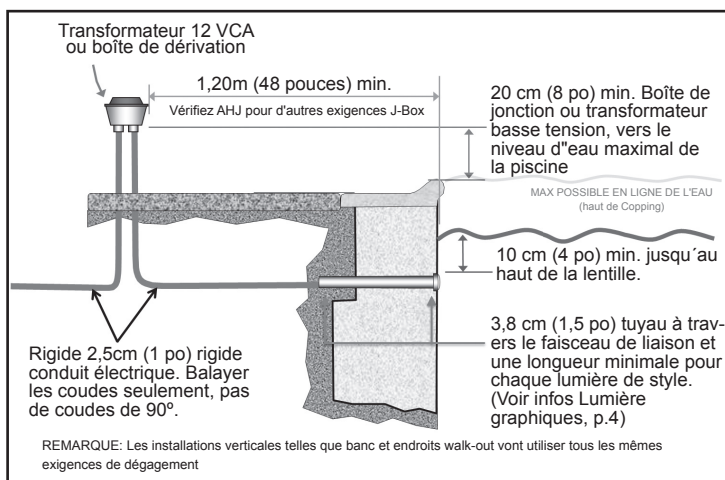


Illustration 1. Installation des lampes DEL Jandy® Pro Series avec dispositif de raccordement en plastique de 3,8 cm (1,5 po) standard

2.2 Installation du luminaire

REMARQUE : effectuer ces étapes seulement après vous être assuré que les exigences relatives au système électrique sont satisfaites.

1. Un tuyau de 3,8 cm (1,5 po) doit être installé au travers de la poutre de maçonnerie avec une longueur minimale de 35,6 cm (14 po), suivi d'une conduite de 2,5 cm (1 po), avec des courbes seulement, sans coudes à 90 degrés. Il est fortement recommandé d'utiliser du tuyau de 3,8 cm (1,5 po) pour toute la largeur de la poutre de maçonnerie.

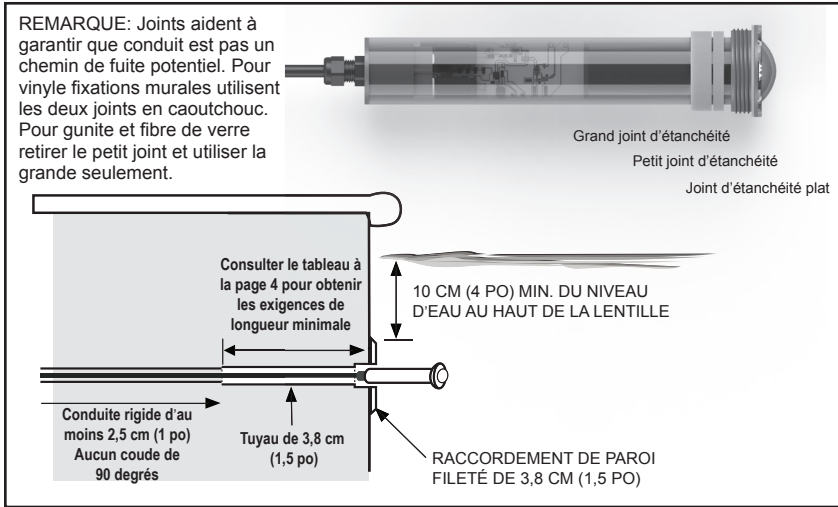
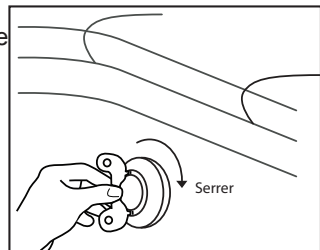


Illustration 2. Installation standard avec dispositif de raccordement de paroi de piscine de 3,8 cm (1,5 po)

2. Faire passer le câble électrique à deux fils par la sortie du conduit du dispositif de raccordement de paroi, dans le conduit et jusqu'à l'emplacement du transformateur de piscine 12 V CA. Couper le câble, en laissant une longueur suffisante pour permettre l'entretien et pour rejoindre le transformateur. Une longueur de câble supplémentaire de 45,7 à 61 cm (de 18 à 24 po) est recommandée pour le branchement de distribution. Tirer sur le luminaire jusqu'à ce qu'il s'ajuste bien dans le dispositif de raccordement de la paroi.

REMARQUE : lors de l'utilisation d'un dispositif de raccordement de tuyau en fer mâle de 3,8 cm (1,5 po) à l'arrière d'un dispositif de raccordement de paroi SP-1022 ou SP-1408, l'espace intérieur des raccordements de tuyaux en fer mâles Spears et Dura est insuffisant pour l'utilisation des lampes DEL sans niche Jandy® Pro Series.

3. À l'aide de la clé de lentille fournie, visser la lampe dans le dispositif de raccordement de paroi jusqu'à ce qu'elle soit bien emboîtée. Après le travail, fournir au moins une clé au



propriétaire de la piscine.

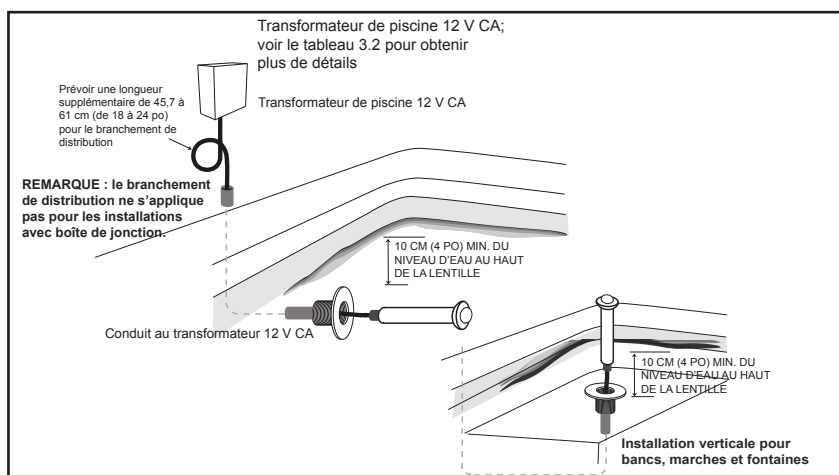


Illustration 3. Installation standard avec dispositif de raccordement de paroi de piscine de 3,8 cm (1,5 po)

Section 3. Options de câblage pour le contrôle des lampes DEL sans niche Jandy® Pro Series

REMARQUE : toujours tenir compte de la longueur du câble lors du calcul de la tension d'entrée au transformateur. La longueur totale des câbles d'alimentation entre le transformateur et les lampes ne doit pas dépasser 45,7 m (150 pi), qu'une boîte de jonction soit utilisée ou non.

Un interrupteur et un transformateur uniques peuvent faire fonctionner de nombreuses lampes Jandy Pro Series, dans la mesure où les codes d'installation locaux en vigueur dans le territoire d'installation et la capacité des circuits électriques le permettent. Ainsi, leurs couleurs seront toujours harmonisées.

REMARQUE IMPORTANTE : tous les luminaires doivent être reliés au même transformateur, circuit ou interrupteur pour permettre la synchronisation. L'utilisation de câble à noyau solide plutôt que multibrin et de barres omnibus pour les terminaisons est fortement recommandé.

3.1 Câblage à un régulateur AquaLink®

Les lampes DEL sans niche Jandy Pro Series peuvent être contrôlées par un régulateur AquaLink. Raccordez le transformateur alimentant les lampes à l'un des relais auxiliaires dans l'AquaLink.

Consultez l'illustration 4 pour raccorder les lampes DEL sans niche Jandy Pro Series à la centrale d'alimentation.

3.2 Longueur et calibre du câble

MISE EN GARDE

Les lampes DEL immergées sans niche Jandy® Pro Series sont des luminaires à basse tension. Un calibre ou une longueur de câble inappropriés peuvent nuire à la performance de ces produits. Suivre les directives ci-dessous pour obtenir un bon fonctionnement et une performance optimale des lampes.

Les tensions doivent être déterminées selon la tension mesurée à la barre omnibus, aux raccordements du transformateur et des câbles.

REMARQUE : chaque mode de couleur a un appel de courant légèrement différent

JLU4C9W/JLUW9W/JLU4C20W/JLUW20W Tension min./max. selon la longueur du câble

Longueur des câbles	Tension min.	Tension max.
15,24 m (50 pi)	9,4 V CA	12,4 V CA
30,48 m (100 pi)	10,7 V CA	13,2 V CA
45,72 m (150 pi)	11,82 V CA	13,8 V CA

JLU4C30W et JLUW30W Tension min./max. selon la longueur du câble

Longueur des câbles	Tension min.	Tension max.
15,24 m (50 pi)	10,34 V CA	12,56 V CA
30,48 m (100 pi)	10,9 V CA	13,5 V CA
45,72 m (150 pi)	11,43 V CA	14,1 V CA

AVERTISSEMENT

RISQUE DE DÉCHARGE ÉLECTRIQUE OU D'ÉLECTROCUTION

pouvant entraîner de graves blessures ou la mort. Un disjoncteur de fuite à la terre doit être fourni pour les transformateurs de 120 V si requis par le fabricant du transformateur, le code local applicable ou l'autorité compétente. Les conducteurs du côté charge du circuit du disjoncteur de fuite à la terre ne doivent pas se trouver dans les conduits, les boîtiers ou les enveloppes contenant d'autres conducteurs, à moins que les conducteurs supplémentaires ne soient aussi protégés par un disjoncteur de fuite à la terre. Se reporter aux codes locaux pour obtenir les détails complets.

⚠ AVERTISSEMENT

RISQUE DE DÉCHARGE ÉLECTRIQUE OU D'ÉLECTROCUTION

pouvant entraîner des blessures graves ou la mort. Les lampes DEL sans niche Jandy Pro Series ne sont disponibles qu'avec une alimentation 12 V CA. Concernant le raccordement électrique, utiliser uniquement un bloc d'alimentation séparateur à basse tension avec une sortie non mise à la terre, évalué et indiqué par le NRTL comme adapté à l'utilisation avec les piscines.

3.3 Câblage à un interrupteur

Les lampes DEL sans niche Jandy® Pro Series peuvent être reliées à un interrupteur de manière à allumer ou à éteindre manuellement les lampes. Reportez-vous à l'illustration 4 pour raccorder les lampes à l'interrupteur.

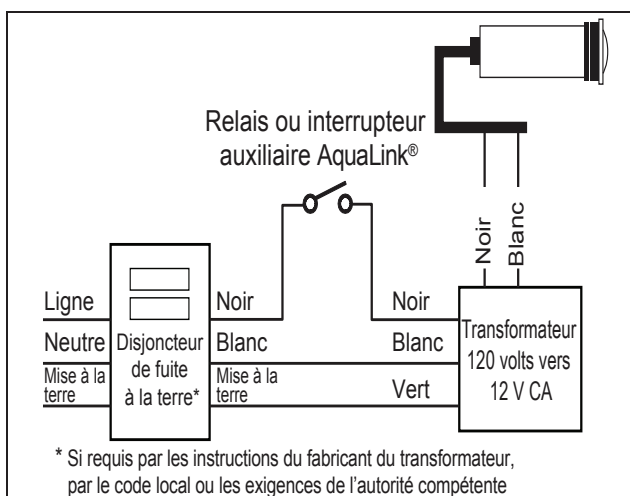


Illustration 4. Câblage des lampes immergées sans niche Jandy Pro Series

3.4 Installation sur un circuit de douze (12) volts

Un transformateur de 12 à 14 volts CA doit être utilisé pour alimenter l'ensemble des lampes 12 V.

REMARQUE : pour obtenir une performance optimale, Jandy Pro Series recommande de ne pas dépasser le facteur de charge spécifié dans les consignes jointes au transformateur.

Pour garantir une sécurité maximale, n'utilisez qu'un transformateur de catégorie 2 pouvant fournir de 12 à 14 volts CA pour alimenter l'ensemble des lampes 12 V. Le transformateur doit être classé ou reconnu par le laboratoire officiel américain (Nationally Recognized Testing Laboratory, NRTL) pour l'usage souhaité.

⚠ MISE EN GARDE

Pour éviter les risques d'incendie pouvant entraîner des dommages matériels, et pour garantir une performance optimale, ne pas dépasser le facteur de charge précisé dans les consignes fournies par le fabricant du transformateur.

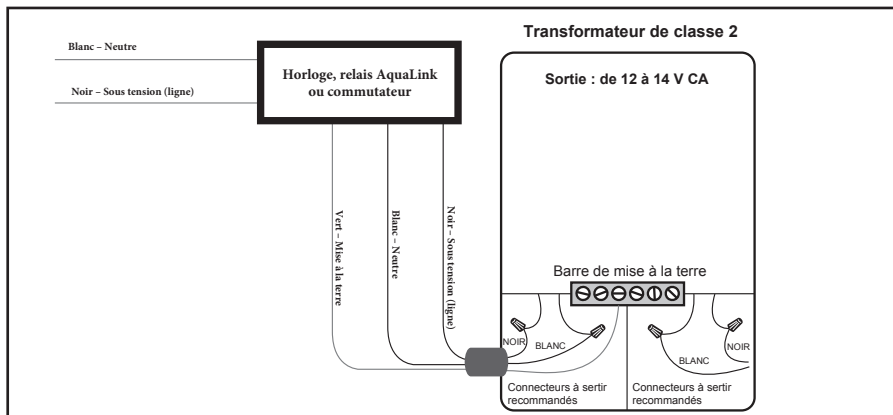


Illustration 5. Câblage des lampes DEL à un transformateur de 12 volts

REMARQUE : un gradateur ou un relais gradateur peut être utilisé UNIQUEMENT avec des lampes sans niche Jandy Pro Series BLANCHES. Les lampes colorées Jandy Pro Series ne peuvent PAS ÊTRE TAMISÉES et ne sont PAS COMPATIBLES avec des gradateurs ou des relais gradateurs.

Section 4. Consignes de fonctionnement de la lampe DEL immergée sans niche Jandy® Pro Series

4.1 Synchronisation des lampes

REMARQUE : cette section ne s'applique qu'aux lampes colorées (RVBB). Tous les luminaires doivent être reliés au même transformateur, circuit ou interrupteur pour permettre la synchronisation.

1. **ALLUMER** la lampe. Si la lampe est éteinte depuis plus de sept (7) secondes, elle s'allumera selon la dernière couleur sélectionnée.
2. Pour synchroniser plusieurs lampes au même mode de couleur, vous devrez recommencer la séquence de mode de couleur. Pendant que les lampes sont allumées, les éteindre pendant cinq (5) secondes, puis les rallumer. Toutes les lampes retourneront au mode de couleur Blanc alpin. Si une ou plusieurs lampes ne sont pas en mode de couleur Blanc alpin, elles n'ont pas été synchronisées : veuillez recommencer l'étape 2.

4.2 Utilisation de la lampe

3. Pour changer le mode de couleur, éteindre la lampe pendant 1 à 3 secondes. Continuer à basculer entre les modes **ON** et **OFF** jusqu'à ce que le mode de couleur souhaité soit atteint. Voir le Tableau 1 pour consulter la séquence de modes de couleurs.

Exemple : si vous avez suivi l'étape 3, que vos lampes sont maintenant en mode Bleu ciel et que vous souhaitez que la lumière soit violette, les lampes doivent être allumées et éteintes sept (7) fois pour atteindre le mode Violet.

Ordre de la séquence	Modes de couleurs
1	Blanc alpin
2	Bleu ciel
3	Bleu cobalt
4	Bleu Caraïbes
5	Vert printemps
6	Vert émeraude
7	Rose émeraude
8	Magenta
9	Violet
10	Éclaboussure lente de couleur
11	Éclaboussure rapide de couleur
12	Amérique la belle
13	Mardi gras
14	Discothèque

Tableau 1. Séquence de mode de couleur

4. Les lampes disposent d'une mémoire. Si les lampes sont éteintes pendant 7 secondes ou plus, la prochaine fois que les lampes sont allumées, elles reviendront au dernier mode de couleur utilisé avant d'être éteintes (étape 1 ci-dessus). Cette fonction vous permet de conserver le mode de couleur préféré pour vos lampes, toutes les fois que les lampes sont rallumées.

REMARQUE : pour synchroniser les couleurs sur plusieurs lampes DEL immergées sans niche Jandy® Pro Series raccordées à des interrupteurs distincts, effectuer les opérations précédentes simultanément sur tous leurs interrupteurs. Toutes les lampes DEL immergées sans niche Jandy Pro Series se synchroniseront automatiquement si elles sont activées par le même interrupteur. Aucun autre accessoire n'est requis.

Section 5. Options de lentilles Designer

Les lentilles Designer offrent un ensemble unique d'options pour la série de lampes DEL. Chacune peut créer des effets d'éclairage uniques à l'intérieur des piscines. Consulter la liste ci-dessous pour en savoir plus sur les options de lentilles Designer.



DEMI DÔME – cette rosace de finition à installer sur la lentille en place vous permet de diriger la moitié de la lumière dans une direction souhaitée. L'éclairage vers le bas permet d'éclairer l'intérieur d'une piscine sans que la lumière sorte vers le haut. L'éclairage vers le haut permet d'illuminer des éléments décoratifs aquatiques ou d'éclairer vers le côté, en illuminant uniquement les zones souhaitées.

LENTILLE HALO – cette lentille assure un éclairage général agréable, grâce à son rayon central tamisé. Elle est tout indiquée pour les lampes installées sur une paroi ou un autre élément semblable faisant face à une paroi, lorsque vous voulez éviter les taches brillantes. Sa douceur la rend parfaite pour l'excellent éclairage général.

LENTILLE SPOT – exactement le contraire de la lentille Halo. Elle concentre la lumière et réduit la puissance aux angles de faisceau plus large afin de créer un effet de projecteur à faisceau étroit. Elle est idéale pour illuminer un élément spécial.

ŒIL DE CHAT – cette lentille réduit l'illumination à une seule « tranche » de lumière longue, mais mince. Cet effet d'éclairage incroyable garde la lumière là où vous la voulez.

DIAMANT – WOW! Vous voulez quelque chose de vraiment spécial? La lentille Diamant crée d'incroyables points de lumière dans tout l'intérieur de la piscine. Les points seront différents selon leur distance de la lampe. Réglez la lampe DEL colorée en MODE DISCOTHÈQUE ET PRÉPAREZ-VOUS À VOUS AMUSER!

Section 6. Remplacement de cartouche de lampe

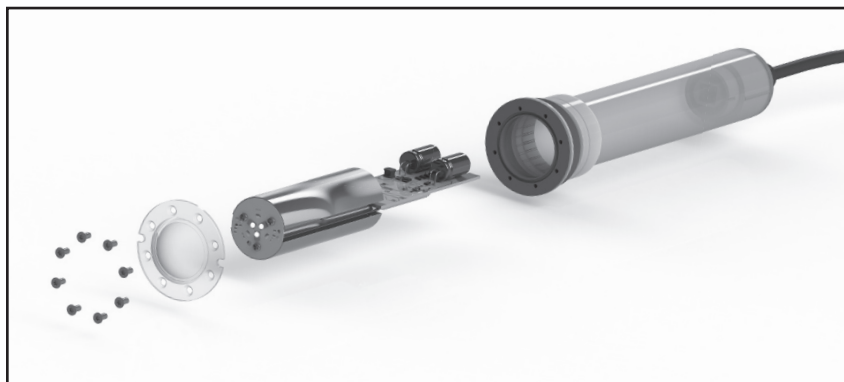
⚠ AVERTISSEMENT

RISQUE DE DÉCHARGE ÉLECTRIQUE OU D'ÉLECTROCUTION

pouvant entraîner des blessures graves ou la mort. Les lampes DEL sans niche Jandy® Pro Series ne sont disponibles qu'avec une alimentation 12 V CA. Concernant le raccordement électrique, utiliser uniquement un bloc d'alimentation séparateur à basse tension avec une sortie non mise à la terre, évalué et indiqué par le NRTL comme adapté à l'utilisation avec les piscines.

Coupez toujours le courant de la lampe au disjoncteur avant d'installer ou de réparer la lampe. Négliger cette consigne risquerait de blesser grièvement ou mortellement le réparateur, les utilisateurs du spa ou de la piscine, et toute autre personne, par décharge électrique.

1. S'assurer que la lampe est débranchée de l'alimentation et que le luminaire est dans un environnement sec. Retirer les huit (8) vis de la lentille avec l'outil fourni. Retirer la lentille du boîtier du luminaire. Retirer et jeter le joint torique entre la lentille et le boîtier du luminaire.
2. À l'aide de l'outil fourni, insérer et tourner la partie fileté dans l'orifice d'extraction à l'avant de la cartouche de lampe. Retirer la cartouche de lampe du boîtier.
3. Insérer la cartouche de remplacement dans le boîtier. Aligner l'ONGLET au bout du circuit imprimé avec la fente à l'intérieur du boîtier. Il peut être nécessaire de tourner lentement la cartouche de lampe jusqu'à ce que l'ONGLET soit aligné avec la fente.



4. Retirer le vieux silicone de la lentille et du boîtier avant d'appliquer le nouveau silicone et de remplacer la lentille. Remplacer le joint torique avec le nouveau joint inclus. Fixer la lentille sur le boîtier du luminaire. Serrer les huit (8) vis indiquées dans le schéma ci-dessous. Une fois toutes les vis bien serrées, lentement immerger dans l'eau en recherchant des bulles d'air – s'il y en a, retirer rapidement le luminaire de l'eau, car le joint n'est pas étanche. Resserrer les vis et tester la présence de bulles d'air à nouveau.



PERLE DE SILICONE DE LA LENTILLE
Appliquer une nouvelle perle de silicone sur la lentille avec le tube fourni après le nettoyage de la lentille et du boîtier du vieux silicone.

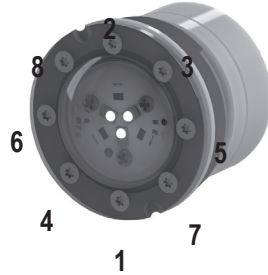


DIAGRAMME DE SERRAGE DE VIS

5. Replacer le luminaire dans le dispositif de raccordement de paroi et activer l'alimentation.

Section 7. Hivernage

Le niveau d'eau devrait être abaissé à environ 30,5 cm (12 po) sous les lampes de la piscine. S'assurer que l'eau est drainée hors des boîtiers muraux. Consulter un professionnel local en matière de piscines pour assurer un bon hivernage. La précaution minimale requiert une baisse du niveau d'eau d'au moins 5,1 à 10,2 cm (de 2 à 4 po) sous la lampe. Il ne faut JAMAIS retirer de l'eau de la piscine sans vérifier les nappes phréatiques.

Section 8. Dépannage

Utilisez l'information de dépannage dans le tableau suivant pour obtenir des suggestions.

Symptôme	Problème	Mesure corrective
Aucune lampe ne s'allume	Les lampes ne reçoivent pas d'alimentation	Vérifier l'alimentation 120 V CA au transformateur. Vérifier la sortie 12 V CA au transformateur. Vérifier ou réinitialiser le disjoncteur de fuite à la terre. S'assurer que les lampes n'ont pas été connectées à de l'alimentation 120 V – des dommages sont certains et ils ne sont PAS COUVERTS par la garantie.
Une ou plusieurs lampes ont un faible éclairage, clignotent ou ne fonctionnent pas	Mauvais branchement ou calibre de câble inapproprié	Séparer chaque lampe et brancher indépendamment une seule lampe à l'alimentation 12 V. Répéter ce processus pour chaque lampe. Si une boîte de jonction est utilisée, vérifier le bon raccordement du fil de la lampe. S'assurer que le bon calibre de câble est utilisé entre le transformateur et la boîte de jonction.
Lampes colorées désynchronisées	Mauvaise alimentation ou mauvais branchement à la lampe	Vérifier les raccords des câbles avec les lampes qui sont désynchronisées. Réinitialiser toutes les lumières au mode de couleur Blanc en éteignant les lumières pendant cinq (5) secondes, puis en les rallumant

Les lampes DEL immergées sans niche Jandy® Pro Series peuvent être entretenues sur le terrain; le câble et le dispositif de raccordement du boîtier de la lampe ne doivent pas être retirés complètement de la conduite ou de la piscine. Il devrait y avoir assez de câble dans le branchement de distribution pour retirer la lampe du boîtier mural et la soulever au-dessus du niveau de l'eau pour le remplacement de cartouche de lampe DEL. S'il n'y a pas assez de câble dans le branchement de distribution ou si la lampe n'est pas accessible, l'eau de la piscine peut être vidée jusqu'à ce que le niveau soit au-dessous de la lampe afin de permettre l'accès à l'avant de la lampe.

Zodiac Pool Systems, Inc.

2620, Commerce Way, Vista, CA 92081
+1-800-822-7933 | www.ZodiacPoolSystems.com

Zodiac Pool Systems Canada, Inc.

2115, South Service Road West, unité 3, Oakville,
ON L6L 5W2
+1-888-647-4004 | www.ZodiacPoolSystems.ca

ZODIAC® est une marque déposée de Zodiac International, S.A.S.U., utilisée sous licence. Toutes les marques de commerce citées en référence dans ce document appartiennent à leurs propriétaires respectifs.

© 2016 Zodiac Pool Systems, Inc. H0532600 RÉV D



LISTÉ ETL
CONFORME À LA NORME
UL STD 676

CERTIFIÉ PAR LA NORME
CAN/CSA C22.2 No 89



MANUAL DEL PROPIETARIO

ENGLISH | FRANÇAIS | ESPAÑOL



Luz LED subacuática sin nicho Jandy Pro Series

ADVERTENCIA

PARA SU SEGURIDAD - Este producto debe ser instalado y mantenido por un contratista con la licencia y la capacitación necesarias para trabajar con equipos para piscinas, otorgadas por la jurisdicción donde se instalará el producto en caso de que existan tales requisitos estatales o locales. La persona que realice la instalación o el mantenimiento debe ser un profesional con experiencia suficiente en la instalación y el mantenimiento de equipos para piscinas de tal manera que pueda seguir al pie de la letra todas las instrucciones de este manual. Antes de instalar este producto, lea y siga todas las instrucciones y preste atención a las advertencias en el manual adjunto. No prestar la debida atención a las advertencias y las instrucciones puede ocasionar daños a la propiedad, lesiones personales e incluso la muerte. La instalación o la operación incorrectas serán causa de anulación de la garantía.



La instalación y la operación incorrectas pueden crear un riesgo eléctrico imprevisto capaz de ocasionar lesiones graves, daños a la propiedad e incluso la muerte.

ATENCIÓN INSTALADOR - Este manual contiene información importante acerca de la instalación, la operación y la utilización seguras de este producto. Esta información debe ser entregada al dueño u operador de este equipo.

Índice

Contenido

Sección 1. Instrucciones de seguridad importantes.....	3
Sección 2. Instalación de la luz LED sin nicho	
Jandy® Pro Series	4
2.1 Preparación de la luz para su instalación.....	5
2.2 Instalación de la luz	6
Sección 3. Opciones de cableado para controlar la	
luz LED sin nicho Jandy Pro Series.....	7
3.1 Cableado para un sistema de control RS AquaLink®	7
3.2 Calibre y longitud del cable	8
3.3 Cableado para un interruptor	9
3.4 Instalación del modelo de doce (12) voltios	9
Sección 4. Instrucciones de operación de la luz LED	
subacuática sin nicho Jandy Pro Series	10
4.1 Sincronización de luz	10
4.2 Operación de la luz	11
Sección 5. Opciones de series de lentes de diseñador	12
Sección 6. Reemplazo del cartucho de luz	13
Sección 7. Preparación para el invierno.....	14
Sección 8. Diagnóstico y solución de problemas	15

Sección 1. Instrucciones importantes de seguridad

INSTRUCCIONES IMPORTANTES DE SEGURIDAD REFERENTES AL RIESGO DE INCENDIO, DESCARGA ELÉCTRICA O LESIONES A PERSONAS LEA Y SIGA ESTAS INSTRUCCIONES

Cuando se instale y utilice este equipo eléctrico, siempre se deberán seguir las siguientes precauciones básicas de seguridad:

PELIGRO

RIESGO DE DESCARGAS ELÉCTRICAS O ELECTROCUCIÓN Un electricista certificado o con licencia debe instalar esta luz subacuática, de acuerdo al Código Eléctrico Nacional® y las demás normas y ordenanzas locales correspondientes. En Canadá, se debe cumplir el Código Eléctrico Canadiense y las demás normas y ordenanzas locales correspondientes. La instalación incorrecta significará un riesgo eléctrico que puede provocar descargas eléctricas y dañar la propiedad o causar la muerte o lesiones graves a los usuarios de la piscina o el spa, los instaladores u otras personas. Lea y siga las instrucciones específicas a continuación.

ADVERTENCIA

Antes de instalar esta luz subacuática, lea, siga las instrucciones y preste atención a las advertencias que vienen con el producto. No seguir las instrucciones ni prestar la debida atención a las advertencias puede ocasionar daños a la propiedad, lesiones graves y hasta la muerte.

Visite www.zodiacpoolsystems.com para obtener copias gratuitas adicionales de estas instrucciones o llame al Servicio de Asistencia técnica de Zodiac al (800) 822-7933 (EE. UU.) o (888) 647-4004 (Canadá)

PRECAUCIÓN

Excepto cuando las luces LED subacuáticas sin nicho Jandy®Pro Series estén instaladas en una zona de la piscina donde no se utiliza para nadar, y el lente se encuentre protegido correctamente para evitar el contacto de cualquier persona, se deberá instalar la luz en o sobre la pared de la piscina, con la parte superior abierta no menos de 4 pulgadas (102 mm) por debajo del nivel de agua normal de la piscina.



ATENCIÓN INSTALADOR

Este manual contiene información importante acerca de la instalación, la operación y el uso seguro de este producto. Esta información debe ser entregada al dueño u operador de este equipo.

GUARDE ESTAS INSTRUCCIONES

⚠ ADVERTENCIA

RIESGO DE DESCARGA ELÉCTRICA O ELECTROCUCIÓN, que podría resultar en lesiones serias o la muerte. Las luces LED sin nicho Jandy® Pro Series solo están disponibles para una tensión de 12 voltios CA. Para conectarse al suministro de energía, use solo una fuente de alimentación de bajo voltaje de aislamiento con salida sin conexión a tierra, evaluada y listada por un NRTL para uso en piscinas.

Sección 2. Instalación de la luz LED sin nicho Jandy Pro Series

⚠ ADVERTENCIA

RIESGO DE DESCARGAS ELÉCTRICAS O ELECTROCUCIÓN. La luz subacuática se deberá instalar por un electricista certificado o con licencia o por una persona encargada del mantenimiento de la piscina, de acuerdo al Código Eléctrico Nacional® (Código Eléctrico Canadiense, en Canadá) y todas las demás normas y ordenanzas locales correspondientes. La instalación incorrecta significará un riesgo eléctrico que puede provocar descargas eléctricas y dañar la propiedad o causar la muerte o lesiones graves a los usuarios de la piscina o el spa, los instaladores u otras personas.

Antes de instalar o realizar el mantenimiento de la luz, desconecte siempre la fuente de alimentación de la luz en el disyuntor de la piscina. De lo contrario, se podrían generar descargas eléctricas y provocar lesiones graves o la muerte a la persona encargada del mantenimiento y a los usuarios de la piscina o el spa.

Use el siguiente gráfico para determinar la longitud de tubo apropiada para su instalación.

	WATTS	LONGITUD MÍNIMA PARA TUBO DE 1.5"
JLU4C9W	9W	3"
JLUW9W	9W	3"
JLU4C20W	20W	9"
JLUW20W	20W	9"
JLU4C30W	30W	14"
JLUW30W	30W	14"

Todos los productos antes listados están disponibles con diferentes longitudes de cable. Las longitudes comunes de cable son 50, 100 y 150 pies.

NOTA: Se puede dar servicio a las luces – no quite la caja o el cable del conducto. No se requiere cable de puesta a tierra para las luces de bajo voltaje JLU4C9W, JLUW9W, JLU4C20W, JLUW20W, JLUW30W o JLU4C30W que no tienen metal expuesto.

2.1 Preparación de la luz para su instalación

NOTA: El electricista debe completar los pasos de preparación antes de instalar la luz. Véase Figura 1.

Verifique que la piscina cumpla con los requisitos del Código Eléctrico Nacional® actual (el Código Eléctrico Canadiense, en Canadá) y de todas las normas y ordenanzas locales. Un electricista certificado o con licencia debe instalar el sistema eléctrico de modo que cumpla o sobrepase los requisitos pertinentes antes de la instalación de la luz subacuática.

Algunos de los requisitos del Código Eléctrico Nacional que debe cumplir el sistema eléctrico de la piscina son los siguientes:

1. La caja terminal o el transformador de voltaje bajo debe ubicarse al menos a ocho (8) pulgadas (medidas desde dentro de la parte inferior de la caja terminal o el transformador) por encima del nivel MÁXIMO de agua O al menos cuatro (4) pulgadas por encima del nivel del suelo o el perímetro exterior de la piscina, el que sea mayor. La caja terminal o transformador también debe instalarse al menos a cuarenta y ocho (48) pulgadas (4 pies) del borde de la piscina. Véase la Figura 1.
2. Debe instalarse un accesorio de plástico estándar de 1.5" en la pared/retorno (no incluido) de manera que la parte superior del lente de la luz subacuática se encuentre al menos a 4 pulgadas (10.2 cm) por debajo de la superficie del agua en la piscina. Véase la Figura 1.

NOTA: Para asegurarse de que el sistema eléctrico de la piscina cumpla con todos los requisitos correspondientes, el electricista debe consultar además con el departamento de construcción de su localidad.

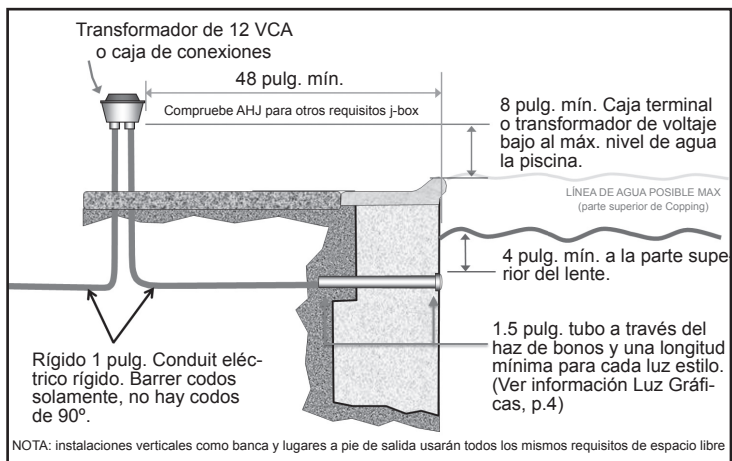


Figura 1. Instalación de la luz LED Jandy® Pro Series con accesorio de plástico estándar de 1.5"

2.2 Instalación de luces

NOTA: Siga estos pasos solamente después de haber cumplido los requisitos eléctricos del sistema.

1. Se deberá instalar el tubo de 1.5" a través de la viga de unión con una longitud mínima de 14", seguida de un conducto de 1" con barridos solo sin codos de 90 grados. Se recomienda ampliamente usar tubo de 1.5" a lo largo de toda la anchura de la viga de unión.

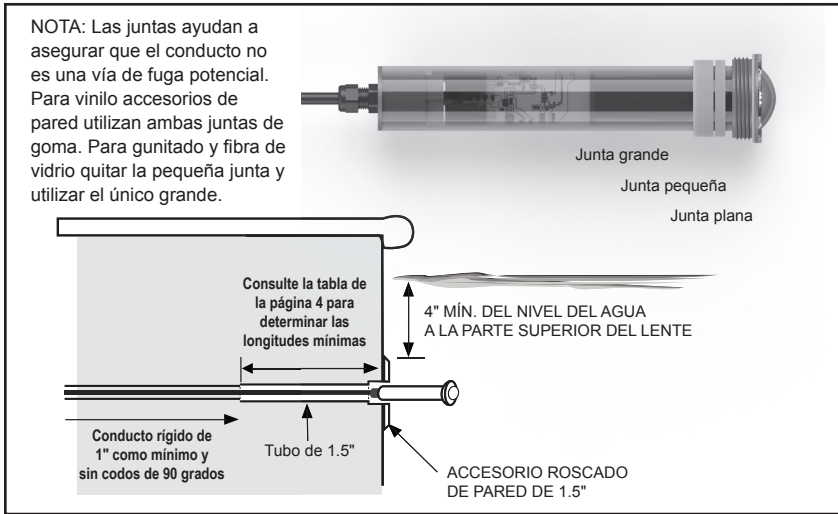
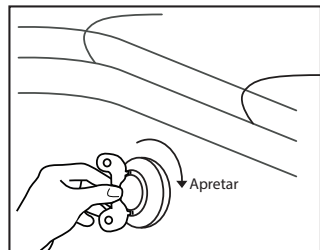


Figura 2. Instalación estándar con accesorio de pared de piscina de 1.5"

2. Guíe el cable eléctrico de 2 conductores a través de la salida del conducto del accesorio de pared, por el conducto y hasta la ubicación del transformador de piscina de 12VAC. Corte el cable después de dejar suficiente para mantenimiento y para la longitud de la línea hasta el transformador. Se recomiendan 18" a 24" de exceso de cable para el bucle de servicio. Tire de la luz para ajustarla al accesorio de pared.

NOTA: Al usar un accesorio MIP de 1 1/2" en la parte trasera de un accesorio de pared SP-1022 o SP-1408, el interior de los MIP Spears y Dura es demasiado pequeño para usarlo con las luces LED sin nicho Jandy® Pro Series.

3. Use la llave de lente para enroscar la luz en el accesorio de pared hasta que esté apretada firmemente. Proporcione al propietario de la piscina como mínimo 1 llave después de terminar el trabajo.



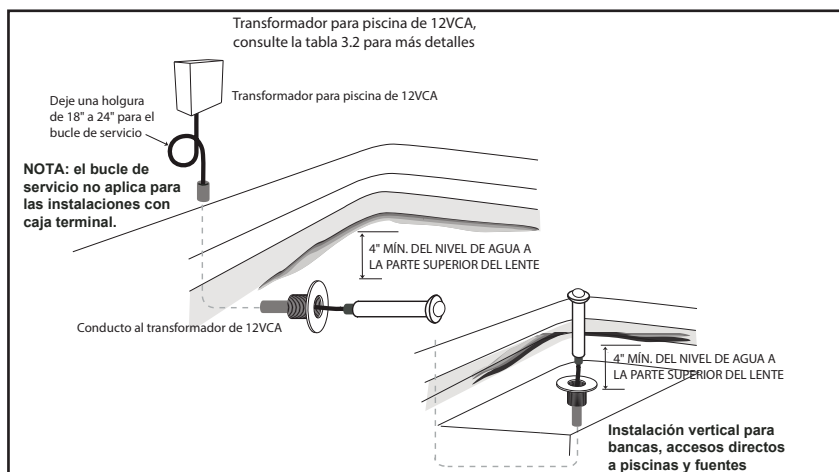


Figura 3. Instalación estándar con accesorio de pared de piscina de 1.5"

Sección 3. Opciones de cableado para controlar las luces LED sin nicho Jandy® Pro Series

NOTA: Considere siempre la longitud del cable al calcular el voltaje de entrada en el transformador. La máxima longitud de servicio entre el transformador y las luces no debe exceder los 150 pies de longitud, ya sea que se use o no una caja de conexiones.

Hasta donde los códigos locales de instalación en vigencia en la jurisdicción y la capacidad del equipo eléctrico lo permitan, múltiples luces de Jandy Pro Series pueden ser controladas con un único interruptor y transformador de tal forma que se puedan sincronizar sus colores.

NOTA IMPORTANTE: Todos los accesorios deben estar enlazados al mismo transformador, circuito o interruptor para que ocurra la sincronización. Utilice de cable de núcleo sólido en vez de alambre trenzado y barras de alimentación de terminación.

3.1 Cableado a un controlador AquaLink®

La luz LED sin nicho Jandy Pro Series puede controlarse con un controlador AquaLink. Conecte el transformador que alimenta las luces a uno de los relés auxiliares en el AquaLink.

Consulte la Figura 4 para conectar las luces LED sin nicho Jandy Pro Series al centro de energía.

3.2 Calibre y longitud del cable

PRECAUCIÓN

Las luces LED subacuáticas sin nicho Jandy® Pro Series son accesorios de bajo voltaje. Un calibre y longitud de cable inadecuados pueden afectar el rendimiento de estos productos. Siga los lineamientos que se indican a continuación para determinar la correcta operación y el óptimo rendimiento de las luces.

Los voltajes se determinan con base en el nivel de voltaje medido en la barra de alimentación en donde se conectan el transformador y los cables.

NOTA: Cada modo de color tiene un consumo de energía ligeramente distinto.

JLU4C9W/JLUW9W/JLU4C20W/JLUW20W Voltaje mín./máx. por longitud de cable		
Longitud de cable	Voltaje mín.	Voltaje máx.
50 pies	9.4VAC	12.4VAC
100 pies	10.7VAC	13.2VAC
150 pies	11.82VAC	13.8VAC

JLU4C30W y JLUW30W Voltaje mín./máx. por longitud de cable		
Longitud de cable	Voltaje mín.	Voltaje máx.
50 pies	10.34VAC	12.56VAC
100 pies	10.9VAC	13.5VAC
150 pies	11.43VAC	14.1VAC

ADVERTENCIA

RIESGO DE DESCARGA ELÉCTRICA O ELECTROCUCIÓN, que podría resultar en lesiones serias o la muerte. Se recomienda usar interruptor de circuito con protección de falla a tierra (GFCI) para transformadores de 120 voltios si lo requiere el fabricante del transformador, o el código local aplicable y/o la autoridad con jurisdicción (AHJ). Cuando se use un GFCI, los conductores del lado de carga del circuito del GFCI no deberán ocupar conducto, carcasas u otras cubiertas que contengan otros conductores, a menos que los conductores adicionales también estén protegidos por un GFCI. Para más detalle consulte los códigos eléctricos regionales.

⚠ ADVERTENCIA

RIESGO DE DESCARGA ELÉCTRICA O ELECTROCUCIÓN, que podría resultar en lesiones serias o la muerte. Las luces LED sin nicho Jandy Pro Series solo están disponibles para una tensión de 12 voltios CA. Para conectarse al suministro de energía, use solo una fuente de alimentación de bajo voltaje de aislamiento con salida sin conexión a tierra, evaluada y listada por un NRTL para uso en piscinas.

3.3 Cableado a un interruptor

Las luces LED sin nicho Jandy® Pro Series se pueden conectar a un interruptor para operar las luces manualmente. Véase la Figura 4 para conectar las luces al interruptor.

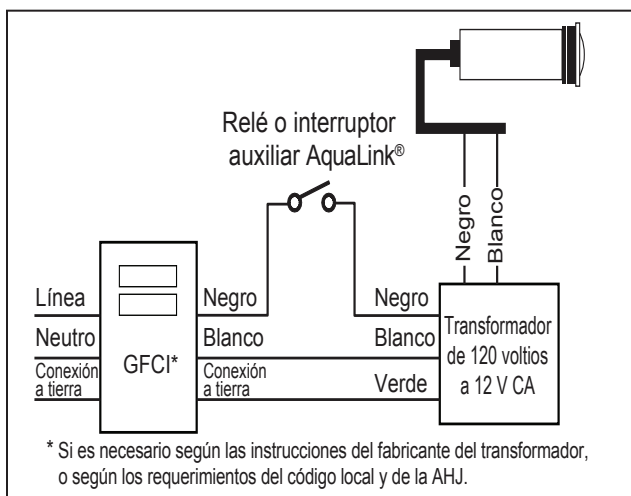


Figura 4. Cableado de las luces subacuáticas sin nicho Jandy Pro Series

3.4 Instalación de doce (12) voltios

Debe usarse un transformador de 12-14 voltios CA para alimentar todas las luces de 12 voltios.

NOTA Para un rendimiento óptimo, Jandy Pro Series recomienda no exceder el factor de carga especificado por las instrucciones incluidas con el transformador.

Para garantizar una seguridad máxima, use solamente un transformador de Clase 2 que pueda suministrar 12-14 voltios CA para alimentar todas las luces de 12 voltios. El transformador debe estar admitido o certificado por un laboratorio de pruebas de reconocimiento nacional (NRTL) para el uso indicado.

⚠ PRECAUCIÓN

Para prevenir riesgos de incendio que podrían resultar en daños a los productos, y para asegurar un óptimo rendimiento, no exceda el factor de carga especificado en las instrucciones proporcionadas por el fabricante del transformador.

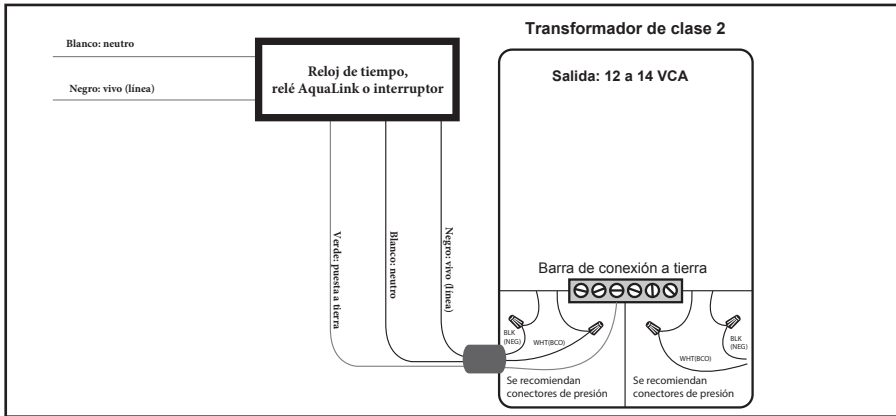


Figura 5. Cableado de luces LED a un transformador de 12 voltios

NOTA Es posible usar un interruptor o relevador atenuador de luz cuando se instalan SOLO luces BLANCAS sin nicho Jandy Pro Series. Las luces de colores Jandy Pro Series NO PUEDEN ATENUARSE y NO SON COMPATIBLES con los interruptores o relevadores atenuadores de luz.

Sección 4. Instrucciones de operación de la luz LED subacuática sin nicho Jandy® Pro Series

4.1 Sincronización de luces

NOTA Esta sección se aplica solo a las luces de colores (RGBW). Se deberá que enlazar todos los accesorios al mismo transformador, circuito o interruptor para que ocurra la sincronización.

1. ENCIENDA la luz. Si la luz ha estado apagada por 7 segundos o más, la luz se encenderá en el último color seleccionado.
2. Para sincronizar varias luces al mismo modo de color, tendrá que restablecer el inicio de la secuencia de modos de color. Con las luces ENCENDIDAS, APÁGUELAS por cinco (5) segundos y vuelva a ENCENDERLAS. Todas las luces se restablecerán al modo de color Blanco alpino. Si no todas las luces están en el modo de color Blanco alpino, no se han sincronizado; repita el paso 2.

4.2 Operación de la luz

3. Para cambiar el modo de color, APAGUE la luz de 1 a 3 segundos. Siga APAGANDO y PRENDIENDO hasta llegar al modo de color de luz deseado. Vea la Tabla 1 para consultar la secuencia del modo de colores.

Ejemplo: si siguió el paso 3 y ahora está en Azul cielo y desea que las luces sean Violeta, entonces debe apagar y encender las luces siete (7) veces para llegar al modo Violeta.

Orden de la secuencia	Modos de color
1	Blanco alpino
2	Azul cielo
3	Azul cobalto
4	Azul caribe
5	Verde primavera
6	Verde esmeralda
7	Rosa esmeralda
8	Magenta
9	Violeta
10	Collage lento de colores
11	Collage rápido de colores
12	América la Bella
13	Mardi Gras
14	Tecnodisco

Tabla 1. Secuencia de modos de colores

4. Las luces tienen memoria. Si las luces están apagadas por 7 segundos o más, la próxima vez que se enciendan regresarán al último modo de color en el que estaban antes de apagarse (el paso 1 antes listado). Esta función permite que las luces regresen a su modo de color favorito cada vez que se vuelvan a encender.

NOTA Para sincronizar colores en varios sistemas de luces LED subacuática sin nicho Jandy® Pro Series conectados a interruptores separados, realice las acciones anteriores en todos sus interruptores simultáneamente. Todas las luces LED subacuáticas sin nicho Jandy Pro se sincronizarán automáticamente si se activan por el mismo interruptor. No se requieren otros accesorios.

Sección 5. Opciones de lentes de diseñador

Los lentes de diseñador ofrecen un conjunto exclusivo de opciones para la serie de luces LED. Cada uno tiene la capacidad de crear efectos de iluminación únicos dentro del interior de la piscina. Vea la siguiente lista para aprender más sobre las opciones de lentes de diseñador.



MEDIO DOMO: este escudo se acopla a los lentes existentes y le permite dirigir la mitad de la luz en la dirección que desee. Hacia abajo: para iluminar el interior de una piscina sin que la luz brille hacia arriba. Hacia arriba: para iluminar una función de agua o hacia los lados para colocar la luz solo en donde pudiera necesitarse.

LENTE DE HALO: este lente permite una iluminación delicada en un área, pero bloquea el haz central. Esto permite la instalación en paredes, etc. en donde podría haber una pared opuesta, etc. en donde tal vez desee eliminar la generación de un punto "caliente". Excelente iluminación general, pero de intensidad suave.

LENTES DE HAZ INTENSIVO: precisamente lo opuesto del halo. Concentra la luz y reduce la salida a mayores ángulos de apertura para producir un efecto de reflector. Excelente para iluminar esa función especial.

OJO DE GATO: este lente reduce la luz a solo una "rebanada" de luz que es amplia pero delgada. Un increíble efecto para iluminar pero sin derramar luz por todos lados.

DIAMANTE: ¡vaya! ¿realmente quiere crear algo especial? El lente de diamante crea increíbles puntos de luz en el interior. Los puntos serán diferentes entre más alejados de la luz estén. Coloque la luz de colores LED en MODALIDAD DISCOTECA Y ¡OBSERVE CÓMO EMPIEZA LA DIVERSIÓN!

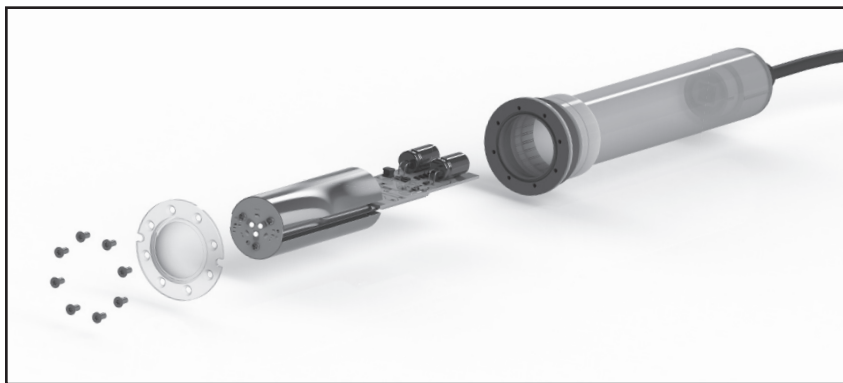
Sección 6. Reemplazo del cartucho de luz

⚠ ADVERTENCIA

RIESGO DE DESCARGA ELÉCTRICA O ELECTROCUCIÓN, que podría resultar en lesiones serias o la muerte. Las luces LED sin nicho Jandy® Pro Series solo están disponibles para una tensión de 12 voltios CA. Para conectarse al suministro de energía, use solo una fuente de alimentación de bajo voltaje de aislamiento con salida sin conexión a tierra, evaluada y listada por un NRTL para uso en piscinas.

Antes de instalar o realizar el mantenimiento de la luz, desconecte siempre la fuente de alimentación de la luz en el disyuntor de la piscina. De lo contrario, se podrían generar descargas eléctricas y provocar lesiones graves o la muerte a la persona encargada del mantenimiento y a los usuarios de la piscina o el spa.

1. Compruebe que la luz se haya desconectado de la fuente de alimentación y asegúrese de que el accesorio de luz esté en un entorno seco. Quite los ocho (8) tornillos del lente con la herramienta incluida. Saque el lente del cuerpo del accesorio. Quite y deseche la junta tórica entre el lente y el cuerpo del accesorio.
2. Use la herramienta incluida para insertar y girar la parte roscada en el orificio de extracción en la superficie del cartucho de luz. Saque el cartucho de luz del cuerpo de la carcasa.
3. Inserte el cartucho de reemplazo en el cuerpo de la carcasa. Alinee la LENGÜETA en el extremo del tablero de circuitos con la ranura receptora dentro del cuerpo de la carcasa. Tal vez sea necesario girar lentamente el cartucho de luz hasta que la LENGÜETA se alinee con la ranura.



4. Limpie el lente y la caja para quitar el resto de la silicona vieja antes de aplicar la nueva y reemplazar el lente. Reemplace la junta tórica con la nueva que se incluye. Coloque el lente en el cuerpo del accesorio. Apriete firmemente los ocho (8) tornillos que se indican en el siguiente diagrama. Una vez que todos los tornillos estén apretados, sumerja el accesorio lentamente en el agua, revise si hay burbujas de aire; quite rápidamente del agua si aparecen burbujas, ya que esto indica que el sello no está hermético. Vuelva a apretar los tornillos y pruebe si hay burbujas otra vez.



GOTA DE SILICONA EN ELLENTE
 Aplique una nueva gota de silicona en el lente con el tubo que se incluye después de limpiar el lente y el cuerpo de la silicona vieja.



DIAGRAMA DE APRIETE DE TORNILLOS

5. Vuelva a fijar el accesorio en la pared y **ENCIÉNDALO**.

Sección 7. Preparación para el invierno

El nivel de agua debe reducirse aproximadamente a 12 pulgadas debajo de las luces de la piscina. Asegúrese de drenar el agua de la carcasa de pared. Consulte a un profesional de piscinas local en relación a cómo preparar adecuadamente el sistema para el invierno. Los requisitos mínimos de seguridad son reducir el nivel de agua de 2" a 4" debajo de la luz. En **NINGÚN MOMENTO** deberá retirarse el agua de la piscina sin revisar los niveles freáticos.

Sección 8. Diagnóstico y solución de problemas

Use la información de diagnóstico y solución de problemas en la siguiente tabla como sugerencia.

Síntoma	Problema	Acción correctiva
Ninguna de las luces se enciende	Las luces no reciben energía	Revise la fuente de alimentación de 120VAC que va al transformador. Revise la salida de 12VAC en el transformador. Revise o restablezca el GFCI. Asegúrese de que no se hayan usado 120 voltios en la instalación; los daños están garantizados y NO LO CUBRE LA GARANTÍA.
Una o más luces están atenuadas, parpadean o no funcionan	Mala conexión o calibre de cable incorrecto	Separe cada luz y conecte 12V de manera independiente a una luz solamente. Repita este proceso en cada luz. Si se usa una caja terminal, revise que la conexión del cable de la luz sea correcta. Compruebe que se use el calibre del cable correcto entre el transformador y la caja terminal.
Luces a colores fuera de sincronización	Fuente de voltaje incorrecta o mala conexión a la luz	Compruebe que se obtengan las conexiones correctas de los cables para las luces que no están sincronizadas. Restablezca todas las luces al color blanco: APÁGUELAS por cinco (5) segundos y luego ENCIÉNDALAS.

Las luces LED subacuáticas sin nicho Jandy® Pro Series pueden repararse en el sitio; no debe quitar totalmente el cable y el accesorio del cuerpo de la luz del conducto o de la piscina. Debe haber suficiente cable provisto en el bucle de servicio para quitar la luz del accesorio de pared y levantarla sobre el nivel del agua para reemplazar el cartucho de luz LED. Si no hay suficiente cable en el bucle de servicio o no se puede acceder a este, puede drenar el agua de la piscina debajo de la luz para tener acceso a la parte frontal.

Zodiac Pool Systems, Inc.

2620 Commerce Way, Vista, CA 92081
1 (800) 822-7933 | www.ZodiacPoolSystems.com

Zodiac Pool Systems Canada, Inc.

2115 South Service Road West, Unit 3 Oakville,
ON L6L 5w2
1 (888) 647-4004 | www.ZodiacPoolSystems.ca



EN LA LISTA ETL
CUMPLE CON
UL STD 676

CERTIFICADO PARA
CAN/CSA C22.2 N.º 89

ZODIAC® es una marca registrada de Zodiac International, S.A.S.U., utilizada bajo licencia. Todas las marcas comerciales a las que se hace referencia en este manual son propiedad de sus respectivos propietarios.

©2016 Zodiac Pool Systems, Inc. H0532600 REV D