

# MASTERTEMP® HEATER

## HIGH PERFORMANCE ECO-FRIENDLY HEATERS



MasterTemp High  
Performance Heater

### Featured Highlights

- Heats up fast so no long waits before enjoying your pool or spa
- Best-in-class energy efficiency\*
- Manual gas shut-off when service is required
- Eco-friendly MasterTemp® Heater is certified for low NOx emission and outperforms industry standards
- Rotating digital display allows for easy viewing
- Tough, rustproof exterior handles the heat and weathers the elements

New MasterTemp® heaters offer all the efficiency, convenience and reliability features you want in a pool heater, plus a lot more. As easy to use as your home heating system, plus, user-friendly indicator lights make system operation and monitoring a snap. The compact design and super-quiet operation won't intrude on your poolside leisure time. Heavy-duty (HD) unit with cupro-nickel exchanger stands up to the harshest of applications, like low pH, high flow or heavy use.

### Ordering Information

Product	Gas Type	BTU (000's)	Carton Qty.	Carton Wt.
<b>MASTERTEMP HEATERS</b>				
460792	Natural	175	1	128
460793	Propane	175	1	128
460730	Natural	200	1	128
460731	Propane	200	1	128
451000	Natural	200 ASME	1	138
461001	Propane	200 ASME	1	138
460732	Natural	250	1	133
460733	Propane	250	1	133
460771	Natural	250 ASME	1	140
460772	Propane	250 ASME	1	140
461020	Natural	250 ASME HD	1	140
460806	Natural	250HD	1	136
460734	Natural	300	1	136
460735	Propane	300	1	136
460736	Natural	400	1	136
460737	Propane	400	1	136
460805	Natural	400HD	1	136
460775	Natural	400ASME	1	149
461021	Natural	400 ASME HD	1	149
460776	Propane	400ASME	1	149

Note: The MasterTemp® Heater is certified for low NOx emissions.

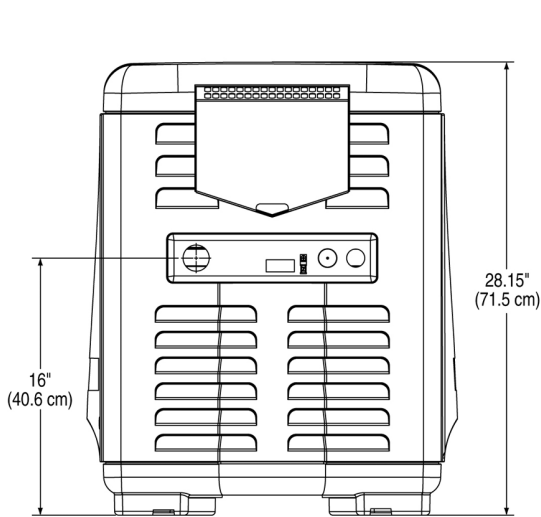
\* Standard Copper Heat Exchanger 84% Efficient.

Heavy Duty (HD) Cupro-Nickel Heat Exchanger 81% Efficient.

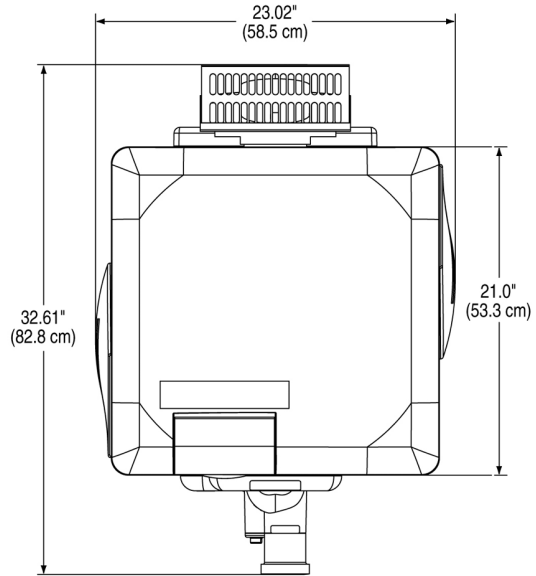
# MASTERTEMP® HEATER (CONT'D)

HIGH PERFORMANCE ECO-FRIENDLY HEATERS

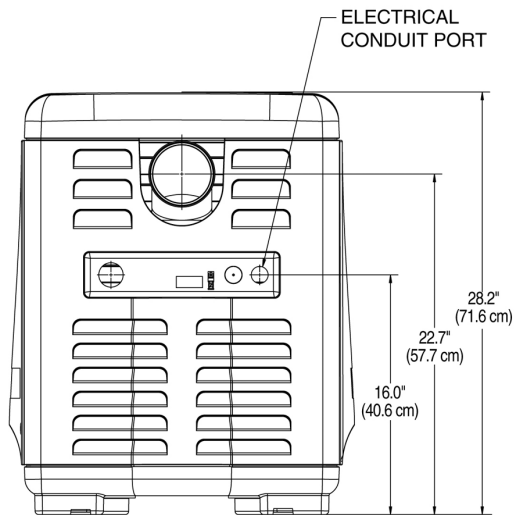
## Dimensions and Performance



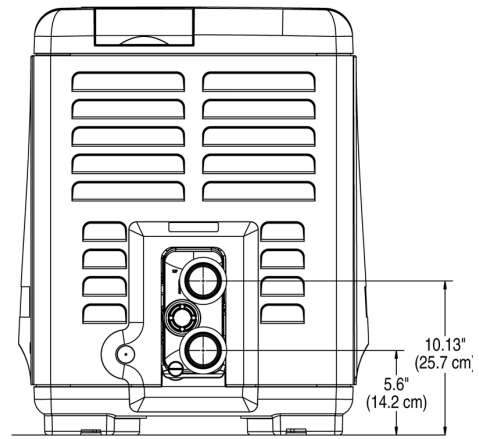
**FRONT**



**TOP**



**EXHAUST SIDE**



**PLUMBING SIDE**

See pages 402–406 for replacement parts.