

SPECIFICATIONS	
SHELL WEIGHT:	3000 LBS.
WATER WEIGHT:	5656 LBS.
TOTAL SHELL & WATER WEIGHT:	8656.1 LBS.
WATER VOLUME:	90.7 Cu.Ft.
WATER GALLONS:	678 GAL.
SURFACE AREA:	56.8 SQ. FT.
ICC ES LISTED #:	PMG-1161

WATERPROOF SKID SUPPORT STRUCTURE ATTACHED TO SPA AT NESPA FACTORY

☒ ☏ *SKIDS SUPPLIED BY NESPA

LIGHT NICHE

LED LV LIGHT, 12 VOLT, U.L. APPROVED

SIDEWALL SUCTION

AquaStar WAV9, 9" X 9" Frame, Approved Max Flow Rate:
 Floor = 316 GPM
 Wall = 208 GPM
 Complies w/ ANSI / ASME A112.19.8 & NSF / ANSI 16-2011

SIDEWALL SUMP

Nespa Aquastar Approved Sump IAPMO Approval # SP4900

JET

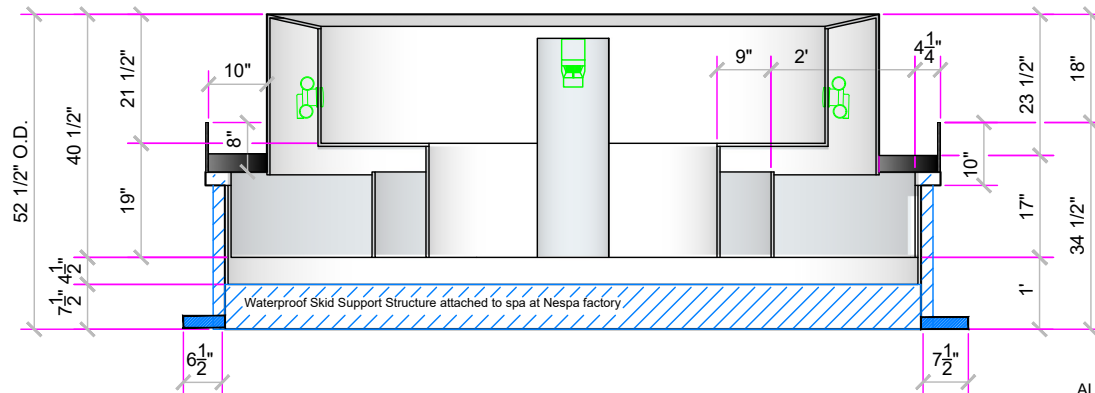
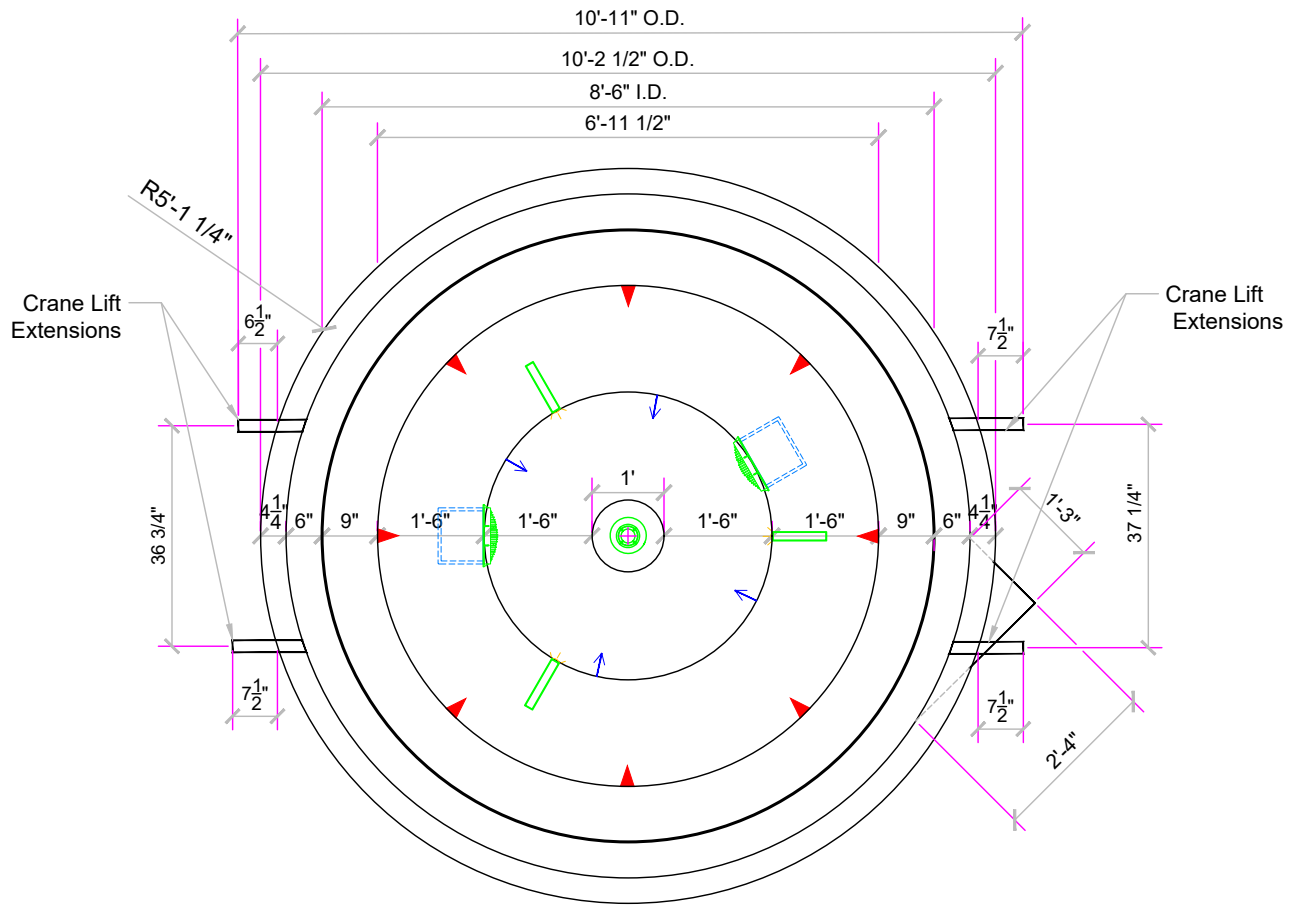
HYDRO INLETS
 1-1/2" WATER - 1-1/2" AIR
 HYDROAIR #10-5100
 COMPLIES W/ ANSI CODE ASME A112.19.8-07
 UL APPROVED

RETURN

INLET FITTINGS
 1-1/2" WALL TYPE W/ EYEBALL
 HYDROAIR #10-3500
 COMPLIES W/ ANSI CODE ASME A112.19.8-07
 UL APPROVED

FILL

INLET FITTINGS
 1-1/2" WALL TYPE W/ EYEBALL
 HYDROAIR #10-3500
 COMPLIES W/ ANSI CODE ASME A112.19.8-07
 UL APPROVED



AS-BUILT

ALL DIMENSIONS SUBJECT TO 1/4" TOLERANCES

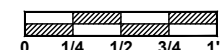
These drawings, concepts, and details contained herein are the original proprietary designs of **NESPA ENTERPRISES INC.**, developed over many years of experience in the industry and as such are protected by the copyright laws of the United States Government. Reproduction of any of the above without written permission to do so by **NESPA ENTERPRISES INC.**, is illegal

NESPA ENTERPRISES INC.
 2800 Richter Ave. Ste. C Oroville, CA 95966
 Office: (530) 534-9910 Fax: (530) 534-9915
 E-Mail: jim@tiledspas.com Web Site: www.tiledspas.com



If printing as a PDF:
 Page Scaling: None

SCALE
 3/8" = 1'

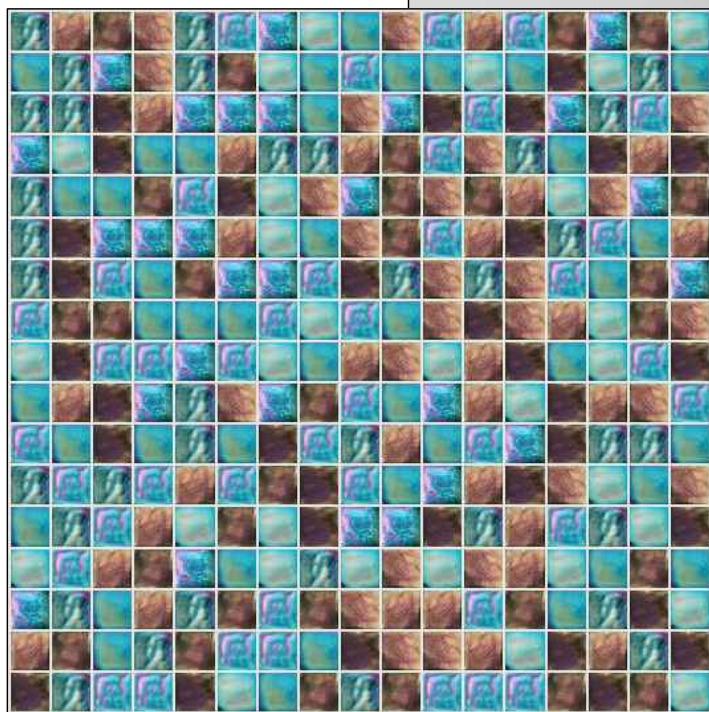
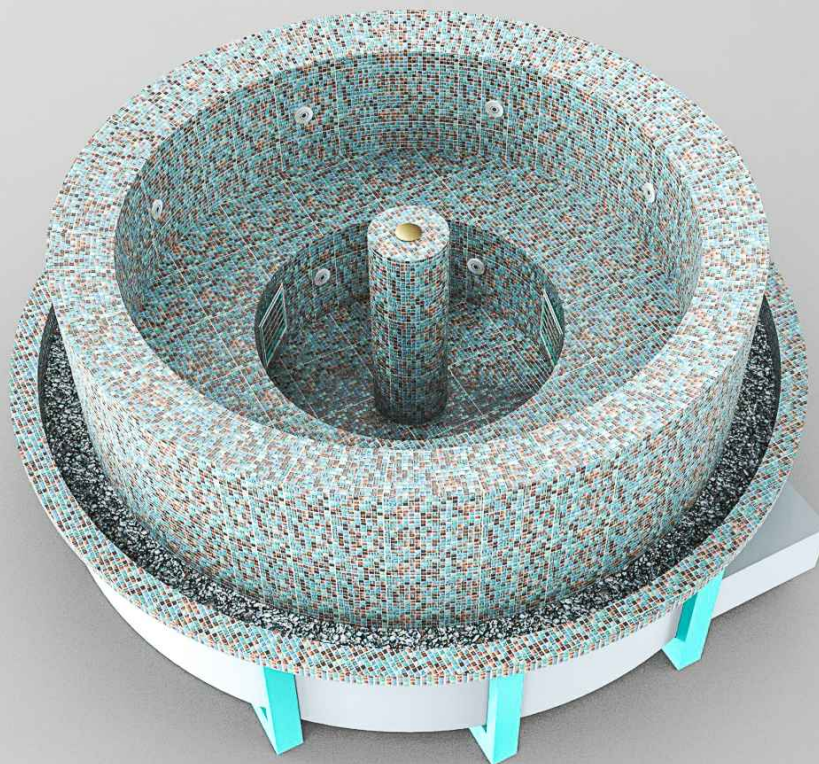


DWG TYPE
 SD

DWG NAME
 1230 NEPTUNE

DATE
 9/6/2018

SHEET
 PAGE 1 OF 9



Oceanside Glass and Tile
 Tourmaline 926 - 60%
 Incense Textura 957 - 40%

APPROVED

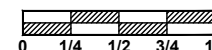
These drawings, concepts, and details contained herein are the original proprietary designs of **NESPA ENTERPRISES INC.**, developed over many years of experience in the industry and as such are protected by the copyright laws of the United States Government. Reproduction of any of the above without written permission to do so by **NESPA ENTERPRISES INC.**, is illegal

NESPA ENTERPRISES INC.
 2800 Richter Ave. Ste. C Oroville, CA 95966
 Office: (530) 534-9910 Fax: (530) 534-9915
 E-Mail: jim@tiledspas.com Web Site: www.tiledspas.com



If printing as a PDF:
 Page Scaling:

SCALE
 N/A

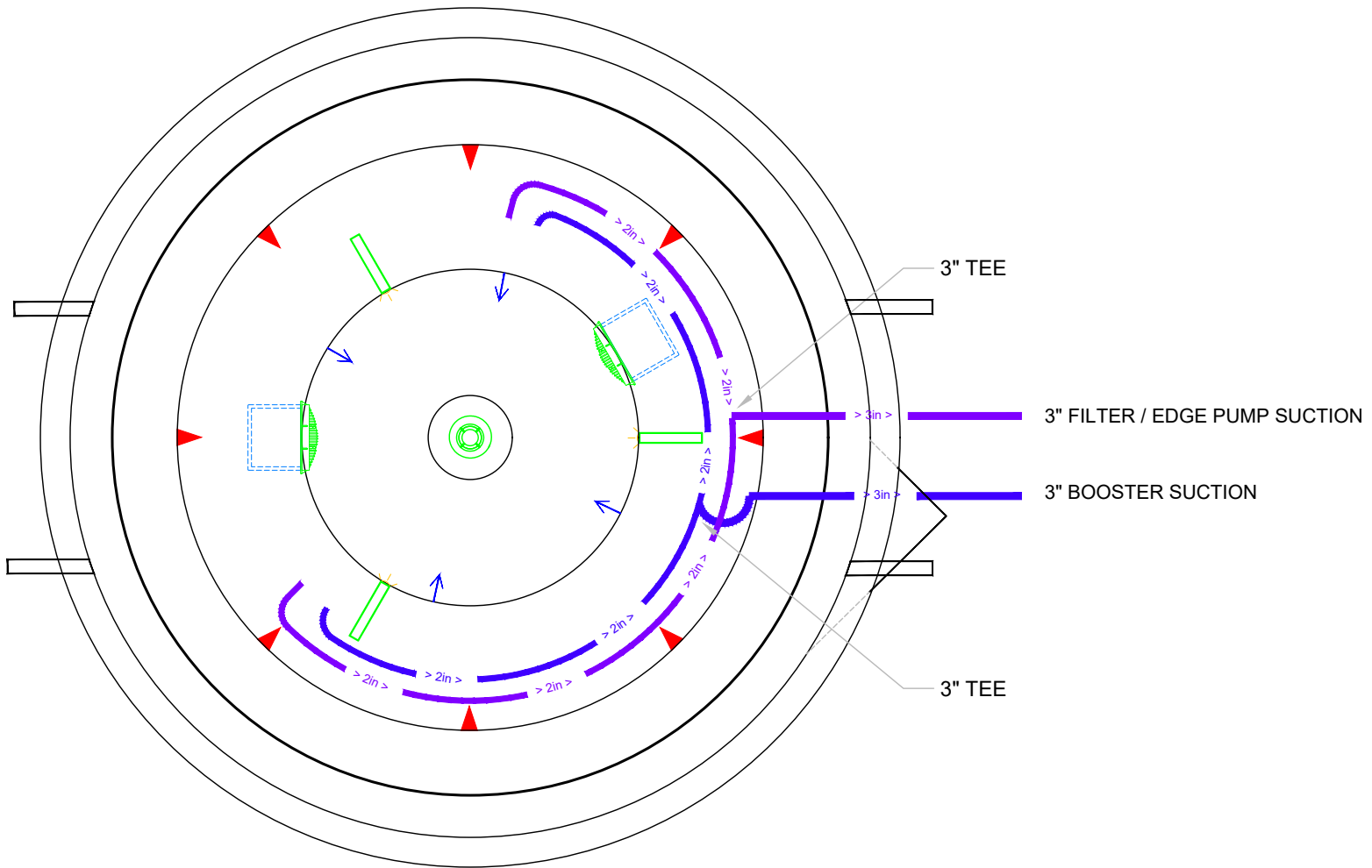


DWG TYPE
 Tile

DWG NAME
 1230 NEPTUNE

DATE
 5/25/2018

SHEET
 PAGE 2 OF 9



APPROVED

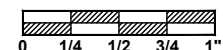
These drawings, concepts, and details contained herein are the original proprietary designs of **NESPA ENTERPRISES INC.**, developed over many years of experience in the industry and as such are protected by the copyright laws of the United States Government. Reproduction of any of the above without written permission to do so by **NESPA ENTERPRISES INC.**, is illegal.

NESPA ENTERPRISES INC.
 2800 Richter Ave. Ste. C Oroville, CA 95966
 Office: (530) 534-9910 Fax: (530) 534-9915
 E-Mail: jim@tiledspas.com Web Site: www.tiledspas.com



If printing as a PDF:
 Page Scaling:

SCALE
 1/2" = 1'

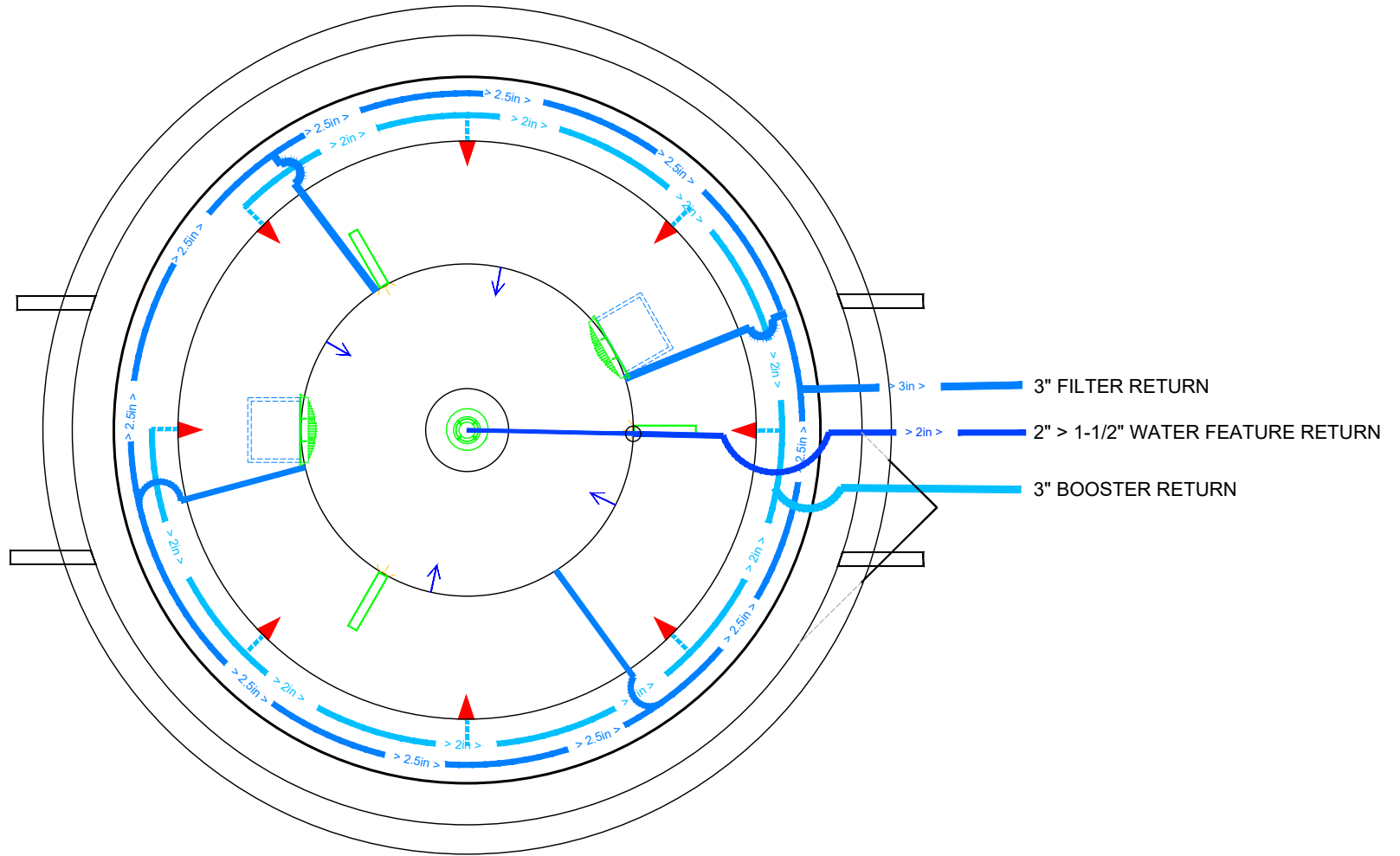


DWG TYPE
 Suction Plumbing

DWG NAME
 1230 NEPTUNE

DATE
 8/17/2018

SHEET
 PAGE 3 OF 9



APPROVED

These drawings, concepts, and details contained herein are the original proprietary designs of **NESPA ENTERPRISES INC.**, developed over many years of experience in the industry and as such are protected by the copyright laws of the United States Government. Reproduction of any of the above without written permission to do so by **NESPA ENTERPRISES INC.**, is illegal.

NESPA ENTERPRISES INC.

2800 Richter Ave. Ste. C Oroville, CA 95966

Office: (530) 534-9910

Fax: (530) 534-9915

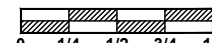
E-Mail: jim@tiledspas.com Web Site: www.tiledspas.com



If printing as a PDF:

Page Scaling:

SCALE
1/2" = 1'

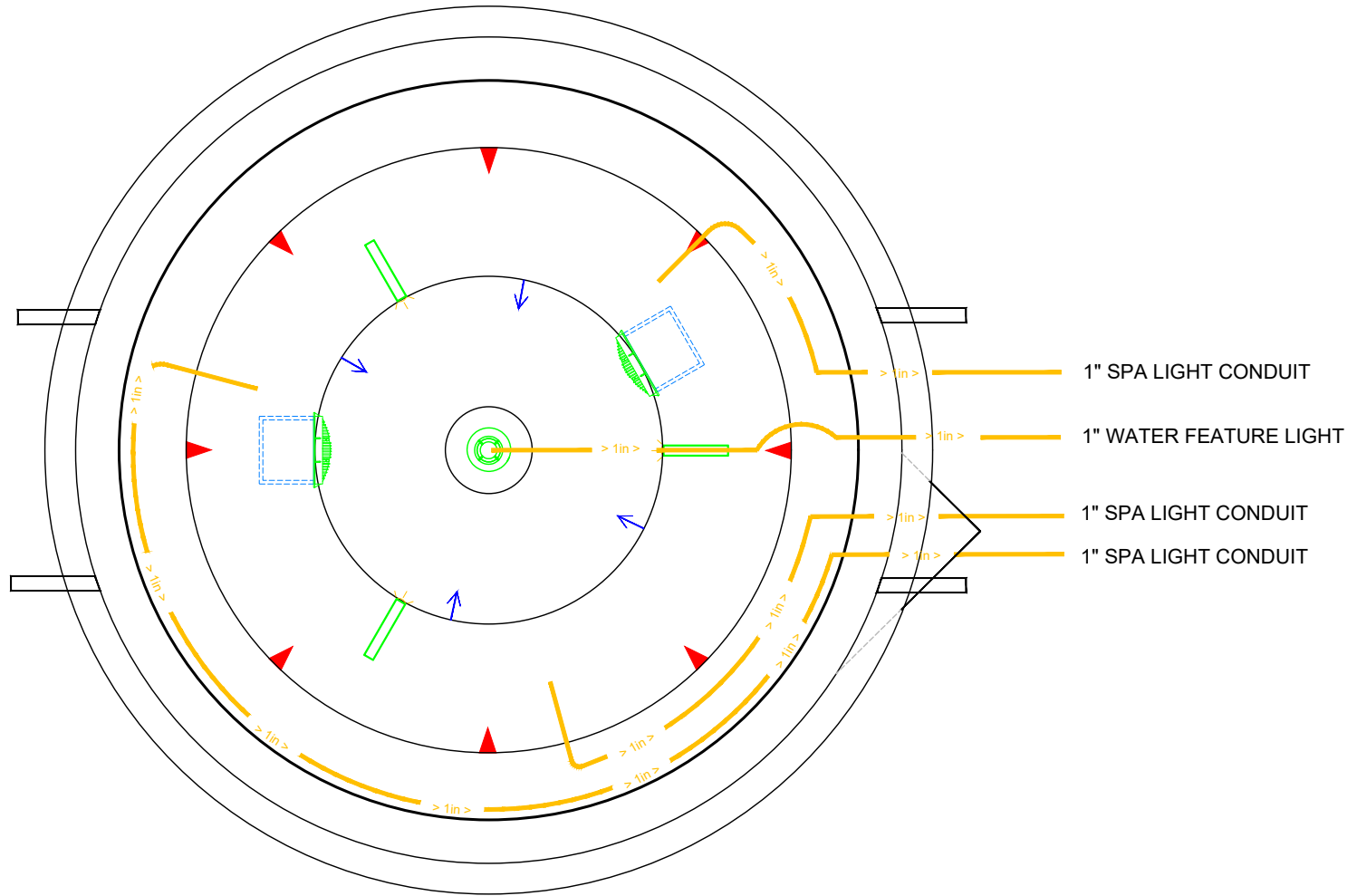


DWG TYPE
Return Plumbing

DWG NAME
1230 NEPTUNE

DATE
8/17/2018

SHEET
PAGE 4 OF 9



APPROVED

These drawings, concepts, and details contained herein are the original proprietary designs of **NESPA ENTERPRISES INC.**, developed over many years of experience in the industry and as such are protected by the copyright laws of the United States Government. Reproduction of any of the above without written permission to do so by **NESPA ENTERPRISES INC.**, is illegal

NESPA ENTERPRISES INC.
 2800 Richter Ave. Ste. C Oroville, CA 95966
 Office: (530) 534-9910 Fax: (530) 534-9915
 E-Mail: jim@tiledspas.com Web Site: www.tiledspas.com



If printing as a PDF:
 Page Scaling:

SCALE
 1/2" = 1'

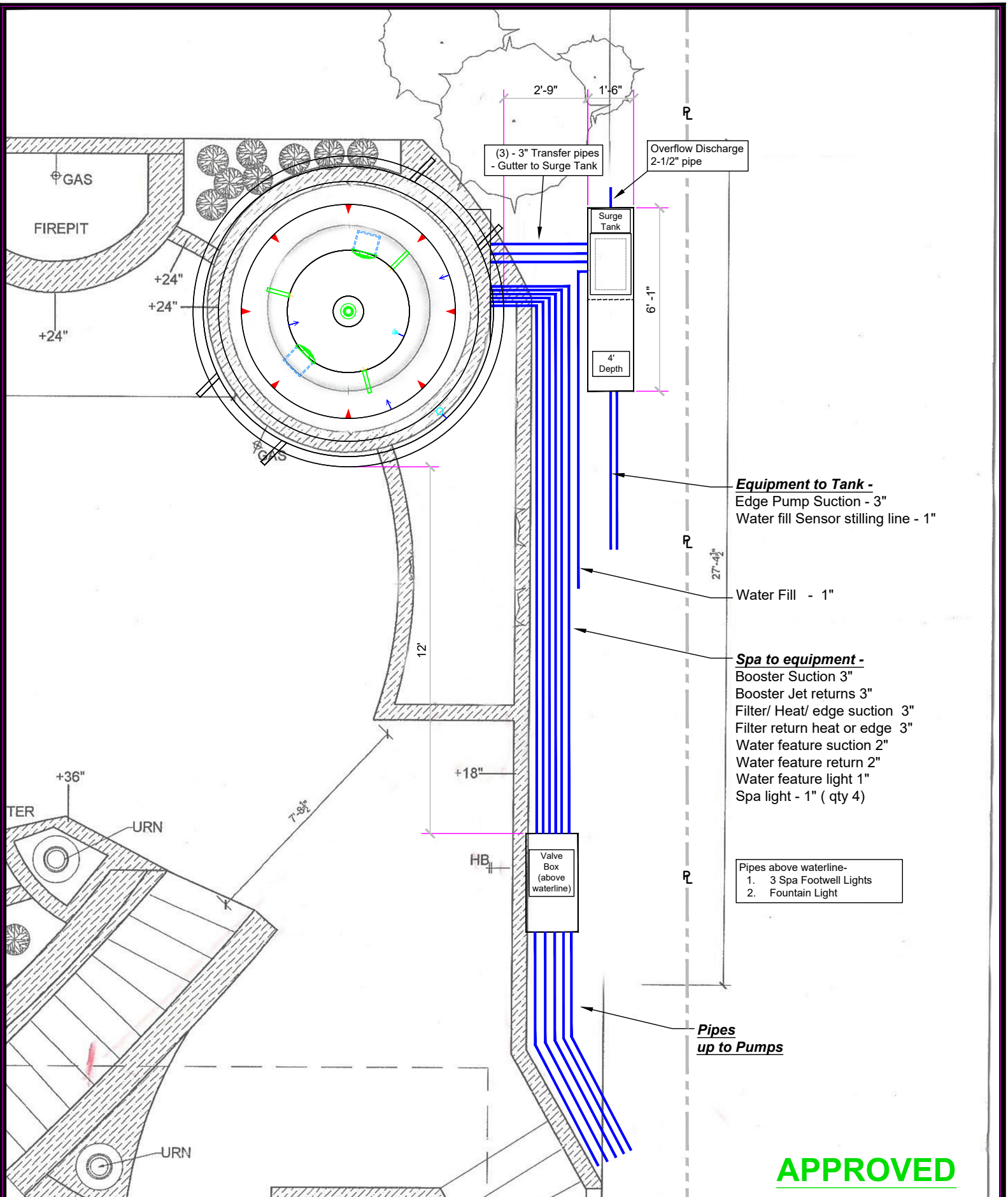


DWG TYPE
 Spa Lights

DWG NAME
 1230 NEPTUNE

DATE
 8/17/2018

SHEET
 PAGE 5 OF 9



APPROVED

NESPA ENTERPRISES INC.
 2800 Richter Ave. Suite C Oroville, CA 95966
 Office: (530) 534-9910 Fax: (530) 534-9915
 E-Mail: jim@tiledspas.com Web Site: www.tiledspas.com

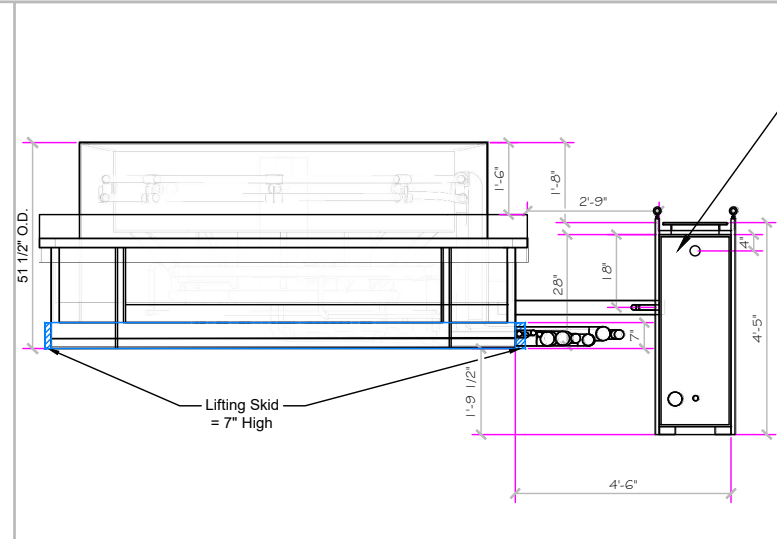
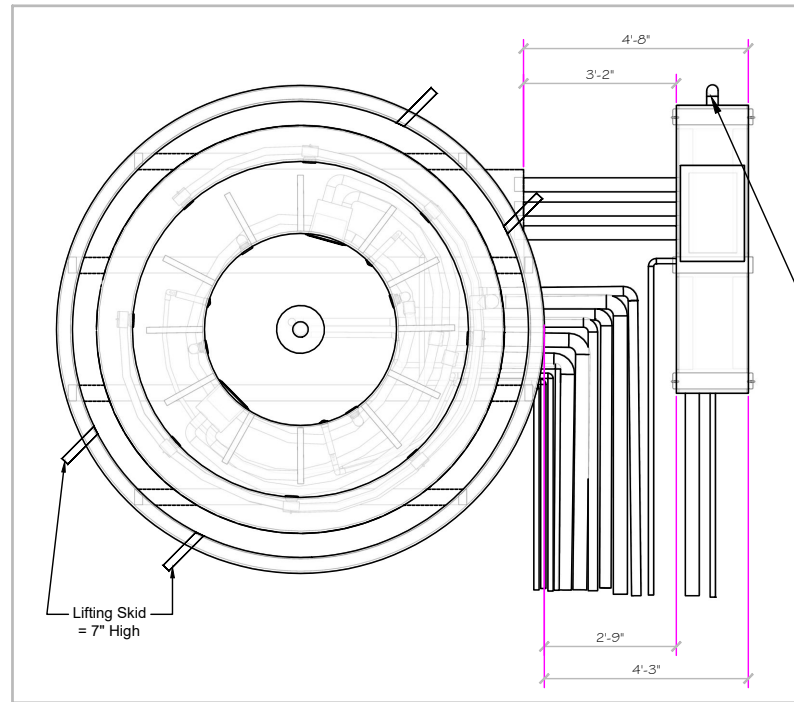


If printing as a PDF:
 Page Scaling: None
 DWG NAME: 1230 NEPTUNE

SCALE: 1/4" = 1'
 DATE: 8/17/2018

DWG TYPE: Spa Layout
 SHEET: PAGE 6 OF 9

These drawings, concepts, and details contained herein are the original proprietary designs of NESPA ENTERPRISES INC., developed over many years of experience in the industry and as such are protected by the copyright laws of the United States Government. Reproduction of any of the above without written permission to do so by NESPA ENTERPRISES INC., is illegal.



Overflow - 2-1/2"

APPROVED

These drawings, concepts, and details contained herein are the original proprietary designs of **NESPA ENTERPRISES INC.**, developed over many years of experience in the industry and as such are protected by the copyright laws of the United States Government. Reproduction of any of the above without written permission to do so by **NESPA ENTERPRISES INC.**, is illegal.

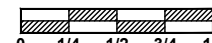
NESPA ENTERPRISES INC.
 2800 Richter Ave. Ste. C Oroville, CA 95966
 Office: (530) 534-9910 Fax: (530) 534-9915
 E-Mail: jim@tiledspas.com Web Site: www.tiledspas.com



If printing as a PDF:

Page Scaling:

SCALE
 1/4" = 1'

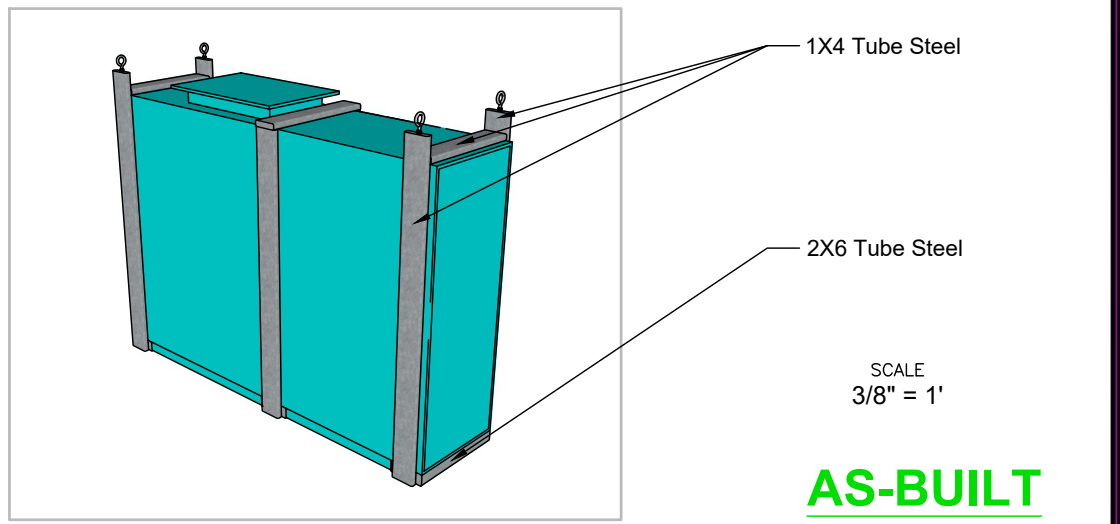
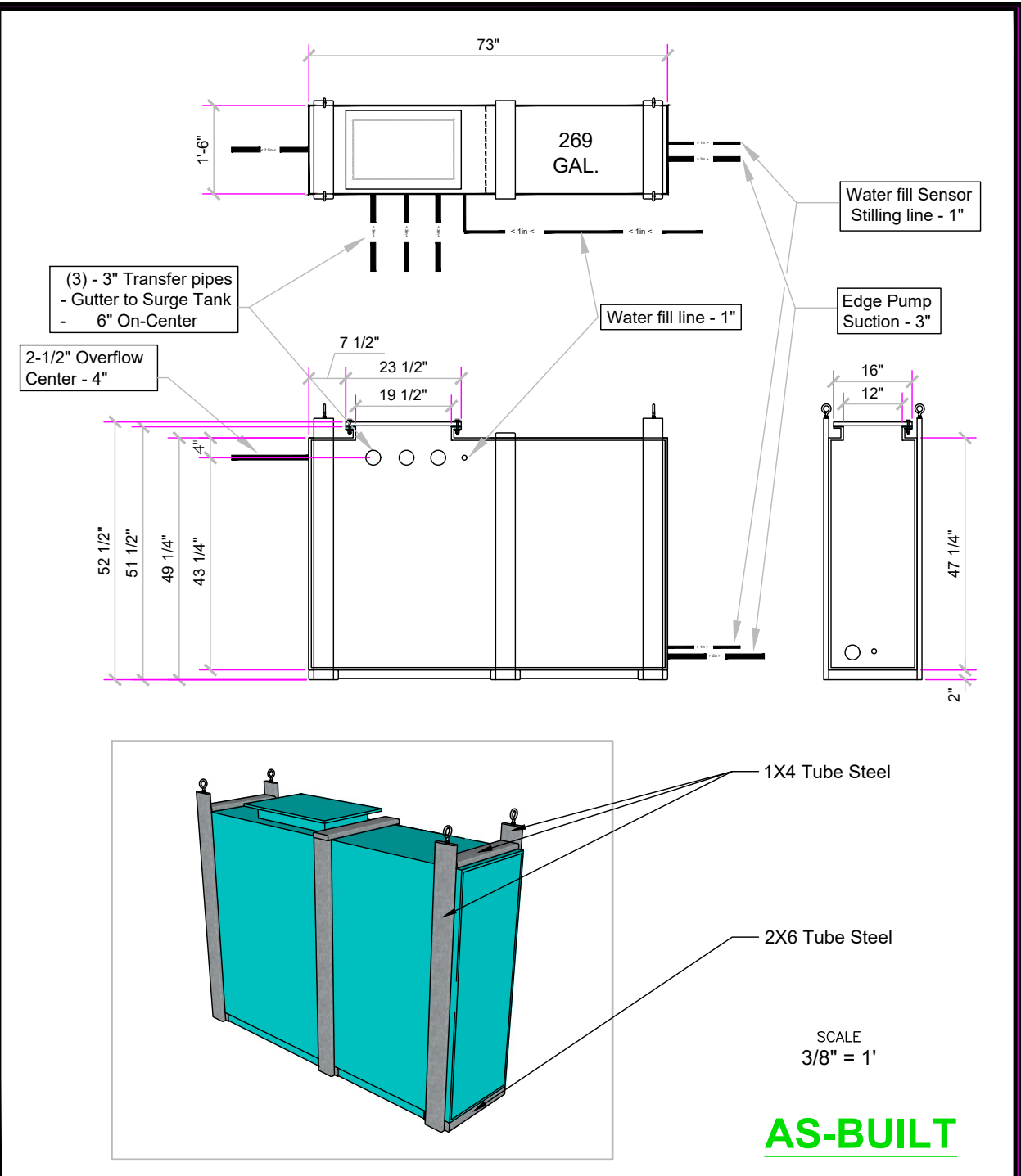
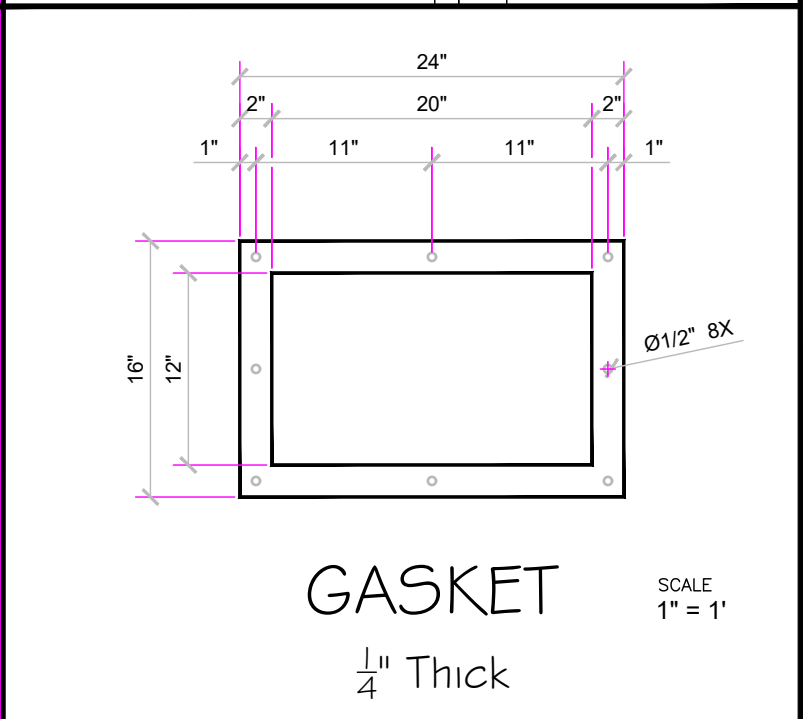
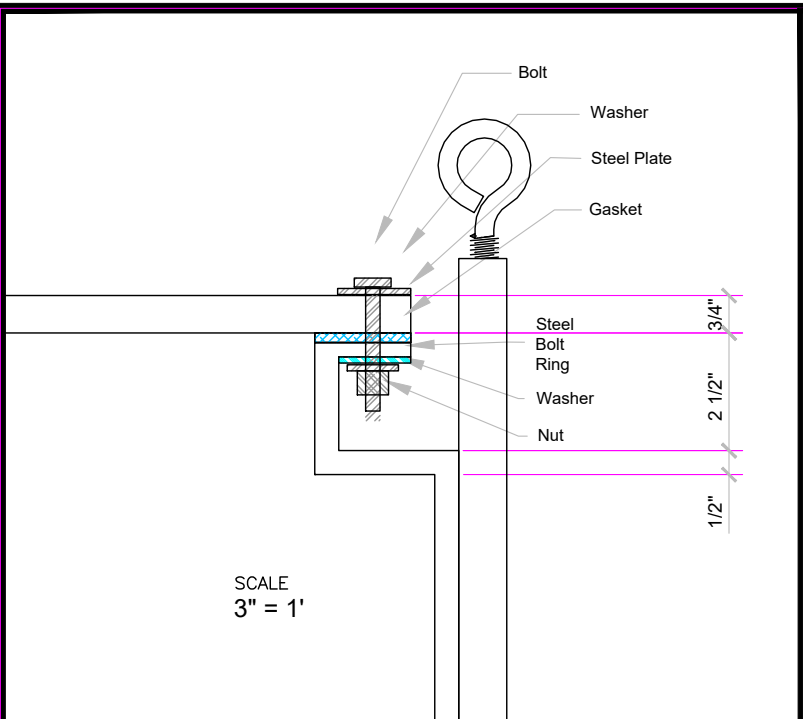


DWG TYPE
 Plumbing Layout

DWG NAME
 1230 NEPTUNE

DATE
 8/20/2018

SHEET
 PAGE 7 OF 9



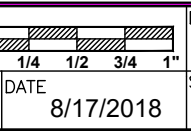
These drawings, concepts, and details contained herein are the original proprietary designs of **NESPA ENTERPRISES INC.**, developed over many years of experience in the industry and as such are protected by the copyright laws of the United States Government. Reproduction of any of the above without written permission to do so by **NESPA ENTERPRISES INC.**, is illegal.

NESPA ENTERPRISES INC.
2800 Richter Ave. Ste. C Oroville, CA 95966
Office: (530) 534-9910 Fax: (530) 534-9915
E-Mail: jim@tiledspas.com Web Site: www.tiledspas.com

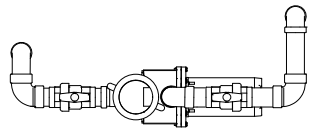


If printing as a PDF:
Page Scaling: None
DWG NAME 1230 NEPTUNE

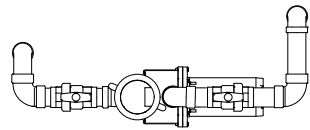
SCALE As Noted
DATE 8/17/2018



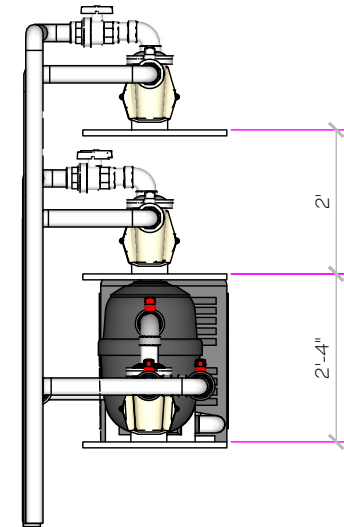
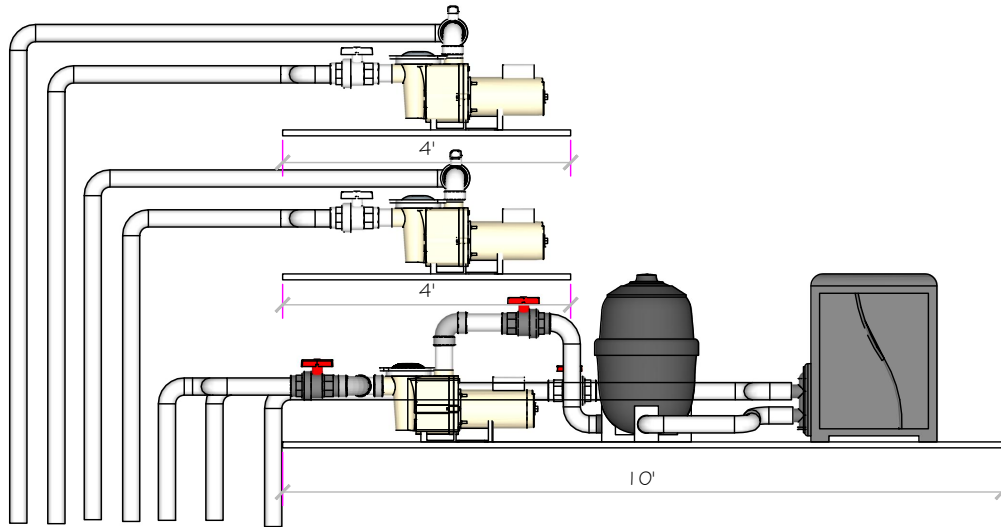
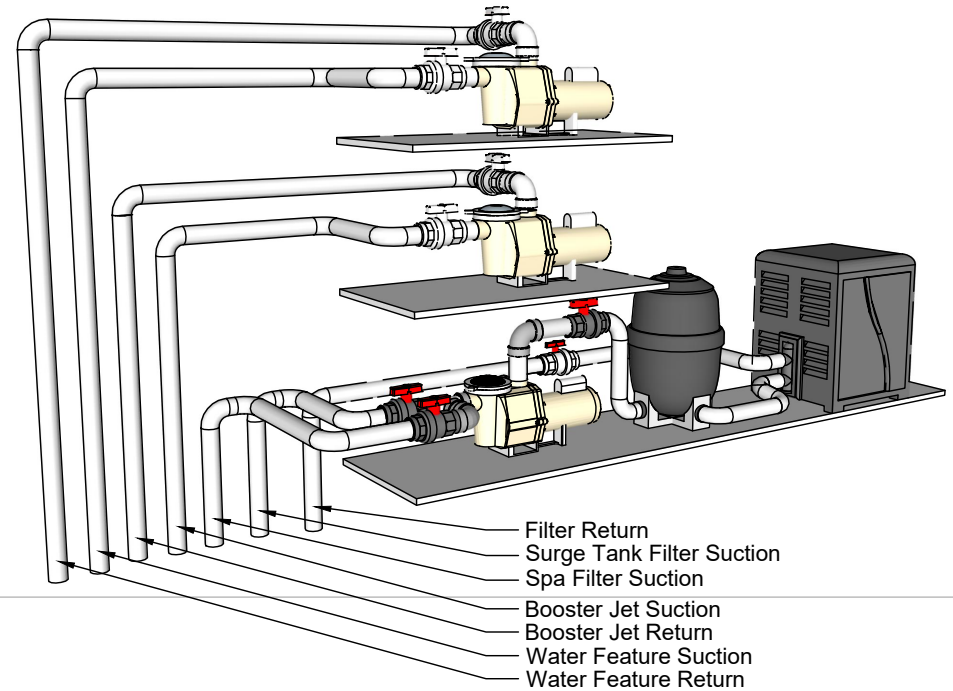
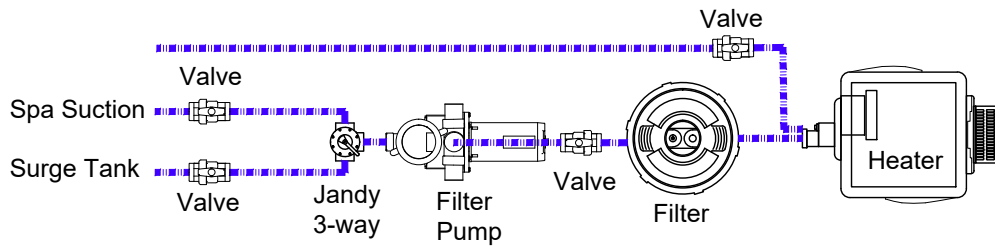
DWG TYPE Surge Tank
SHEET PAGE 8 OF 9



Booster Jet Pump



Water Feature Pump



APPROVED

These drawings, concepts, and details contained herein are the original proprietary designs of **NESPA ENTERPRISES INC.**, developed over many years of experience in the industry and as such are protected by the copyright laws of the United States Government. Reproduction of any of the above without written permission to do so by **NESPA ENTERPRISES INC.**, is illegal

NESPA ENTERPRISES INC.
 2800 Richter Ave. Ste. C Oroville, CA 95966
 Office: (530) 534-9910 Fax: (530) 534-9915
 E-Mail: jim@tiledspas.com Web Site: www.tiledspas.com

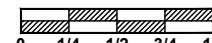


If printing as a PDF:

Page Scaling:

SCALE

3/8" = 1'



DWG NAME 1230 NEPTUNE

DATE 5/27/2018

DWG TYPE EQ Layout
 SHEET PAGE 9 OF 9

3" Booster Jet Return
 Footwell Light Conduit
 3" Booster Suction
 3" Filter / Edge Return



Footwell Light Conduit
 Water Feature
 Auto Fill
 3" Filter / Edge Suction

Basin Suction Gravity Feed (3)



Footwell Light Conduit
 Center Water Feature Light Conduit
 Air Venturi



Service Fitting



Service Fitting

APPROVED

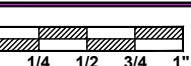
These drawings, concepts, and details contained herein are the original proprietary designs of **NESPA ENTERPRISES INC.**, developed over many years of experience in the industry and as such are protected by the copyright laws of the United States Government. Reproduction of any of the above without written permission to do so by **NESPA ENTERPRISES INC.**, is illegal

NESPA ENTERPRISES INC.
 2800 Richter Ave. Ste. C Oroville, CA 95966
 Office: (530) 534-9910 Fax: (530) 534-9915
 E-Mail: jim@tiledspas.com Web Site: www.tiledspas.com



If printing as a PDF:
 Page Scaling:

SCALE
 N/A



DWG TYPE
 Plumbing ID

DWG NAME
 1230 NEPTUNE

DATE
 8/20/2018

SHEET
 PAGE 1 OF 1