

PROCLEAN PLUS



CARTRIDGE FILTER

OWNER'S MANUAL

Installation • Operation • Parts

MODELS

PCCF-075

PCCF-100

PCCF-125

PCCF-150

PCCF-175

PCCF-200



Designed,
Engineered &
Manufactured
in the USA.

Waterway™

2200 East Sturgis Road, Oxnard CA 93030 • Phone 805.981.0262 • Fax 805.981.9403

www.waterwayplastics.com • waterway@waterwayplastics.com

TABLE OF CONTENTS

Safety Instructions	3
General Information.....	3
Installation.....	4
Initial Startup.....	4
Filter Assembly & Disassembly.....	5
Cartridge Cleaning Procedure.....	6
System Inspection & Winterizing.....	6
Troubleshooting Guide	7
Replacement Parts List.....	8

SPECIFICATIONS

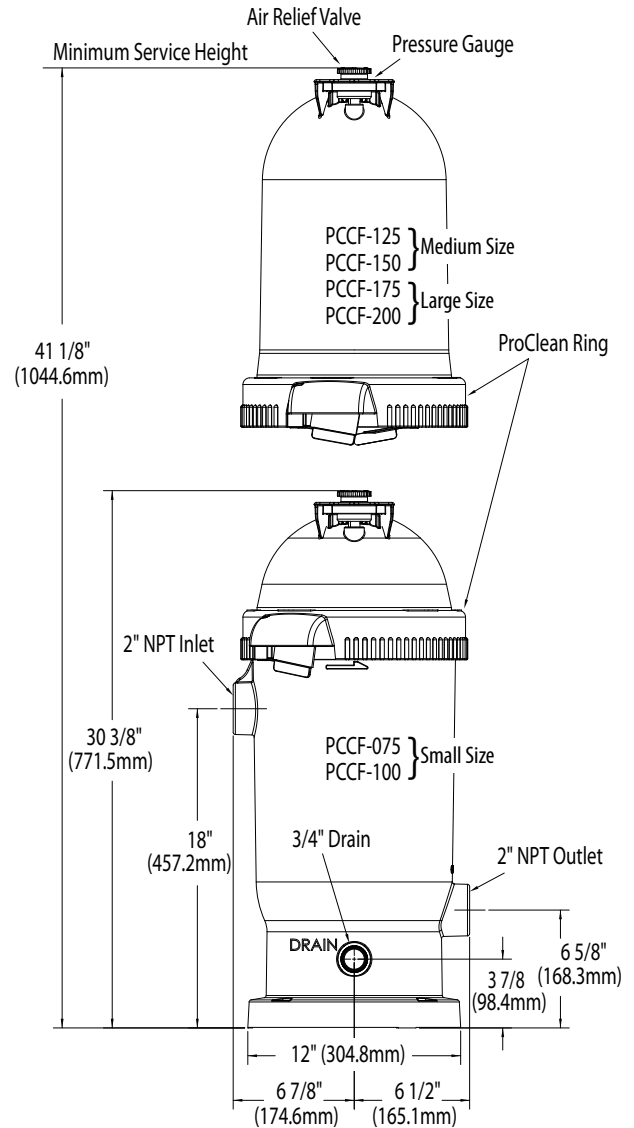
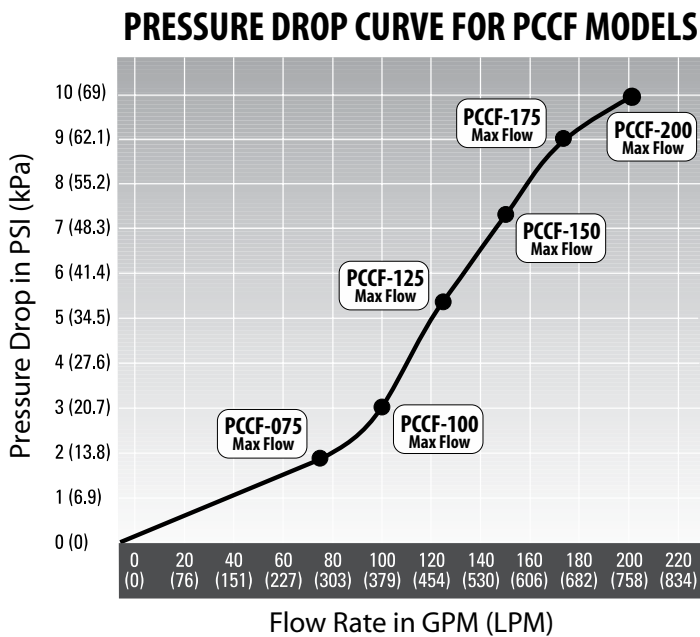


Figure 1 - Filter Dimensions in Inches (mm)

Table 1 - Filter Specifications

Model No.

	PCCF-075	PCCF-100	PCCF-125	PCCF-150	PCCF-175	PCCF-200
Filter Area in Sq. Ft. (m ²)	75 (6.96)	100 (9.2)	125 (11.6)	150 (13.9)	175 (16.2)	200 (18.6)
Max. Residential Flow Rate GPM (LPM)	75 (284)	100 (379)	125 (473)	150 (568)	150 (568)	150 (568)
Max. Public Pool Flow Rate GPM (LPM)*	28 (106)	37 (148)	47 (177)	56 (212)	65 (246)	75 (284)
Max. Operating Pressure PSI (kPa)	50 (345)	50 (345)	50 (345)	50 (345)	50 (345)	50 (345)
Max. Continuous Water Temperature °F (°C)	104° (40°)	104° (40°)	104° (40°)	104° (40°)	104° (40°)	104° (40°)

*NSF listing is for public pool flow rates only.

READ AND FOLLOW SAFETY INSTRUCTIONS

 This is the Safety Alert Symbol. When you see this symbol on your filter or in this manual, look for one of the following signal words and be alert to the potential for personal injury!

DANGER warns about the hazard that will cause death, serious injury or major property damage if ignored.


WARNING warns about hazards that can cause death, serious injury or major property damage if ignored.


CAUTION warns about hazards that can or will cause death, serious injury or major property damage if ignored.


NOTICE: indicates special instructions not related to hazards.


Carefully read and follow all safety instructions in this manual and on equipment. Keep safety labels in good condition; replace if missing or damaged.

WARNING **Hazardous Pressure. Incorrectly installed or tested equipment may explode, causing severe injury or property damage.** Read and follow instructions in Owner's Manual when installing and operating equipment. Have a trained pool professional perform all pressure tests.

 Do not connect filter to compressed air under any circumstances.

 Do not connect system to a city water system or other external source of pressurized water.

 Do not connect filter to pumps capable of exceeding 50 PSI (345 kPa) maximum pressure.

 Open air release valve to vent all air from system before operating the system.

WARNING Risk of falls and injury. Filter surface is slippery. Do not allow children to stand or play on filter.

GENERAL INFORMATION

WHEN TO CLEAN THE FILTER:

The filter cartridge should normally be cleaned when the pressure gauge reading increases 10 PSI over the start-up pressure.

In some pools, accessories such as fountains or pool cleaners may be noticeably affected by the normal decrease in flow as the filter becomes dirty. If so, clean the filter more frequently (that is, at a pressure increase of less than 10 PSI) in order to maintain the required flow.

Clean a new pool as well as possible before filling pool and operating filter.

A typical pool installation will require approximately one week to obtain and maintain the sparkle that your filter is capable of giving you.

Maximum pressure is 50 PSI (345 kPa). DO NOT connect the filter to a city water system or to an individual water well system.

The Waterway Cartridge Filter is designed to filter water for swimming pools and hot tubs only. On a new installation, we recommend:

1. Disassemble the filter after the initial cleanup. Follow "Filter Disassembly/Assembly Procedure" on page 5.
2. Remove and hose down the cartridge to remove contaminant.

Maintain pool water pH between 7.2 and 7.6.

Make sure that the Pro-Clean Ring is securely locked in place before operating filter.

Maintain the pressure gauge in good working order.

Replace a damaged gauge immediately.

Cleaning interval is based on pressure rise, not on the length of time the filter is operated. Different water conditions will have different normal cleaning intervals

NOTICE: Some pool disinfectants may clog the filter cartridge. To maximize cartridge life and filter cycle time, closely follow the disinfectant manufacturer's instructions when cleaning pool or filter. Failure to follow these instructions may affect warranty coverage of the cartridge.

INSTALLATION

FILTER MOUNT MUST:

- Provide weather and freezing protection.
- Provide space and lighting for easy access for routine maintenance.
- Provide ventilation and drainage for pump.
- Be on a reasonably level surface and provide adequate drainage.

PIPING:

NOTICE: Make sure that the filter and all piping can be drained for winterizing. See “Winterizing”, page 6.

NOTICE: Overtightening can crack filter ports.

Use Teflon tape, Plasto-Joint Stik[®]† or Silastic RTV #732[®] on all threaded connections of plastic pipe and fittings.

DO NOT use pipe compounds on filter; it will cause the connection to crack. Do not use sealant on unions; assemble them dry and hand tight.

Support pipe independently to prevent strains on the filter.

Keep piping tight and free of leaks. Pump section line leaks may cause trapped air in filter tank or loss of prime at pump.

† Lake Chemical Co., Chicago, Ill.

ELECTRICAL:

Be sure that pump grounding meets local and National Electrical Code Standards. All wiring and grounding of associated equipment must meet local and National Code Standards.

INITIAL START-UP

⚠ Be sure pump is OFF before starting procedure. Do not operate filter at more than 50 PSI (345 kPa).

1. Securely lock the Pro-Clean Ring in place by rotating it **CLOCKWISE** until it “clicks” past the safety latch (see Figure 3). Stop turning as soon as the ring clicks past the latch. The ring may feel slightly loose, but it will tighten up when the pump is on and the filter is under pressure.
2. Install the pressure gauge and the air release valve (see Figure 2) on the tank lid.
3. Fill the trap on the pump with water.
4. Open the air release valve on top of the filter.

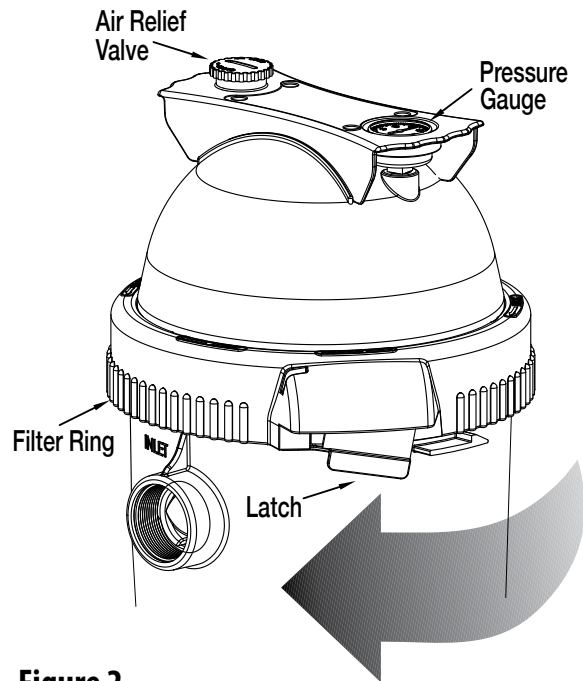


Figure 2

5. Open valves separating the filter from the rest of the system.
6. Start the pump to purge air from the system.
7. When a steady stream of water comes from the air release valve, close the valve.

NOTICE: Leaking around the filter ring may indicate that the ring is not fully locked. In this case proceed as follows:

- A. Stop the pump and open the air release valve then release any pressure within the filter.
- B. Remove the drain plug and drain all water from the filter.
- C. Rotate the filter ring clockwise until it locks behind the safety latch (see Figure 3).
- D. If the ring was already locked, remove it and the filter lid assembly. Inspect and clean the O-ring and all sealing surfaces. Re-lubricate the O-ring, if necessary.

NOTICE: Lubricate the O-ring sealing area inside the upper tank lip with silicone grease, as other lubricants may cause the ring to swell. **DO NOT** lubricate the filter ring or the threads on the tank shell as this may collect grit and make removal difficult.

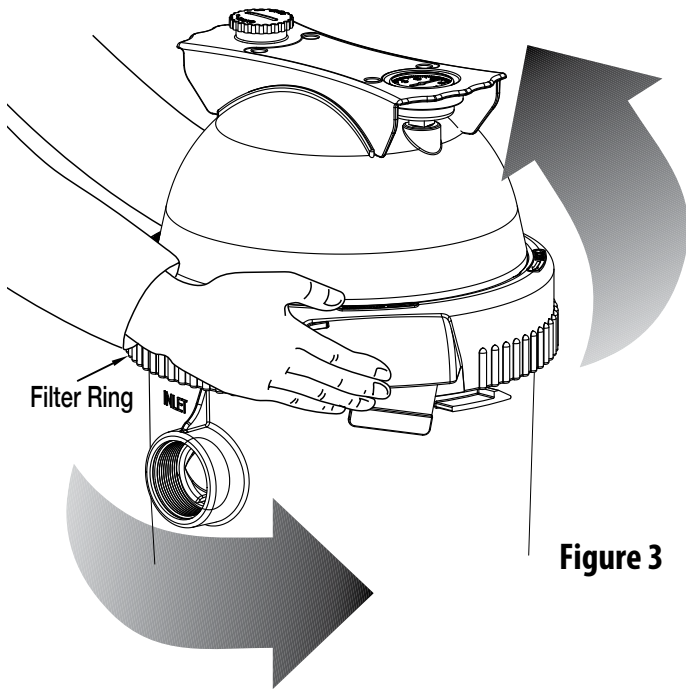


Figure 3

FILTER DISASSEMBLY / ASSEMBLY PROCEDURE

BEFORE DISASSEMBLING FILTER:

- 1. STOP PUMP.**
- 2. OPEN air release valve and drain fitting.**
- 3. WAIT until all pressure is released and water drained from filter tank and system before loosening filter ring.**

DISASSEMBLY:

1. Stop the pump.
2. Open air release valve on top of filter tank to release all pressure from inside of tank.
3. Remove the drain cap and drain all water from the tank.
4. Remove filter lid assembly as follows:
 - A. Press the safety latch (below the ring) toward the tank to release it (see Figure 3).
 - B. Hold the latch in the release position and rotate the ring **COUNTERCLOCKWISE** to remove it. If the ring is difficult to turn, tap it gently with a rubber mallet to overcome initial resistance.
5. Inspect the O-ring for cuts, cracking, deformation or signs of wear; replace if necessary.

NOTICE: Do not remove the O-ring unless you need to replace it. To remove it, hook it out of its groove with a stiff curved piece of wire inserted through the small access slot in the bottom of the tank lid assembly.

ASSEMBLY:

1. Inspect and clean the tank, ring threads and O-ring groove. Replace damaged parts as necessary.
2. Install the filter cartridge in the tank. Push down firmly to seal it.

NOTICE: Lubricate the O-ring sealing area inside the upper tank lip with silicone base grease, as other lubricants may cause the ring to swell. **DO NOT** lubricate the filter ring or the threads on the tank shell as this may collect grit and make removal difficult.
3. Install the O-ring in the tank lid assembly O-ring groove. Be sure that the O-ring is clean and not twisted.

NOTICE: Do not remove the O-ring unless you need to replace it.
4. Place the filter ring squarely over the tank shell threads and rotate it **CLOCKWISE** until it is securely latched.
5. Follow instructions in the "Initial Startup" section of this manual.

SAFETY LATCH

The purpose of the safety latch is to hold the filter ring in the locked position. If the latch is damaged, replace it as follows:

1. Press up on the small catch on the bottom of the safety latch and press or tap the latch out of the slot in the tank.
2. Slide the new latch into position until it latches in place.

NOTICE: **DO NOT** operate the filter if the safety latch is damaged or will not hold the filter ring in the locked position.

CARTRIDGE CLEANING PROCEDURE

WHEN TO CLEAN THE FILTER:

The filter cartridge should normally be removed and cleaned when the pressure gauge reading increases 10 PSI over the start-up pressure. Follow all steps in the “Disassembly” section of this manual (page 5).

NOTICE: When sanitizing your pool using PHMB (polyhexamethylene biguanide) based cleaners, use ONLY PHMB cleaners to clean the cartridge. When using PHMB sanitizers, the filter cartridge MUST be cleaned more thoroughly and frequently than for a pool using chlorine. Follow manufacturer’s instructions carefully. Use of any other type of cleaners with PHMB pool sanitizers will void the filter’s warranty.

1. Remove the drain cap and flush all foreign material from the inside of the tank before removing the filter cartridge.
2. Allow the tank to drain.
3. Lift out the cartridge and hose it down thoroughly. Spray the entire cartridge surface. Allow cartridge to drain.
4. Inspect the cartridge. If necessary, repeat the washing operation. If the cartridge is damaged, replace it.
5. Follow the steps in the “Assembly” (page 4) and “Initial Start-Up” (page 5) sections of this manual.

NOTICE: When this procedure no longer adequately cleans the cartridge, discard the cartridge and replace it with a new one.

SYSTEM INSPECTION

GENERAL:

NOTICE: DO NOT use solvents to clean the filter. Solvents may damage plastic components in the system.

NOTICE: Open the air release valve and bleed all air from the filter each time the filter is drained or disassembled.

WEEKLY INSPECTION:

1. Remove debris from the pool skimmer basket.
2. Stop the pump; open the air release valve to release all pressure.
3. Remove the pump trap cover and basket; remove debris.
4. Check the pump for leaks. If found, see pump owner’s manual.
5. Replace the trap basket and the cover. Tighten the cover securely hand tight. DO NOT use a lid wrench to tighten it.
6. Start the pump. When the filter air release valve runs a solid stream of water, close the valve.
7. When the system has returned to normal operation, check the filter pressure. If the filter pressure is 10 PSI (69 kPa) or more higher than the initial start-up pressure, the filter needs cleaning. See “Cartridge Cleaning Procedure” at left.

WINTERIZING

NOTICE: Protect the filter from freezing. Allowing the filter to freeze will damage it and will void the warranty. If possible, take the system indoors for storage.

1. Clean the filter according to instructions (left) before winterizing.
2. Stop the pump.
3. Open the air release valve; open any system valves.
4. Remove the drain plugs from the trap, pump and filter.
5. Gravity drain system and filter as far as possible.
6. Disassemble the filter (follow instructions under “Filter Disassembly”, page 5). Remove the filter cartridge and store it in a warm, dry area.
7. Cover the filter with plastic or tarpaulin to prevent water entrance and freezing.

TROUBLESHOOTING GUIDE

1. Short Cycle Time:

NOTICE: Cycle time will vary with each location and between different areas of the country. The following causes and remedies are for cycle times shorter than normal for your area.

- A. Chlorine residual too low; maintain proper residual (consult pool professional for recommendation).
- B. Filter cartridge is dirty or plugged; thoroughly clean the filter (see no. 4, "Plugged Cartridge", and "Cleaning Cartridge Procedure", page 6).
- C. Water is chemically out of balance; consult pool professional.
- D. Algae in the pool; apply heavy dose of chlorine or algaecide as recommended by the pool manufacturer.
- E. Replace the cartridge.

2. Low Flow/High Pressure:

- A. Cartridge plugged; clean filter thoroughly (see page 6).
- B. Pipe blocked downstream from filter; remove obstruction.
- C. Piping too small; use larger pipe (consult dealer for sizing).

3. Low Flow/Low Pressure:

- A. Plugged pump or plugged debris basket; clean thoroughly.

4. Plugged Cartridge:

- A. Insufficient cleaning; follow cleaning instructions closely and clean thoroughly (see page 6).
- B. Water chemically out of balance; consult pool professional.
- C. Excessive air in filter; vent air from tank and check for pump suction pipe leaks. Clean air bleed tube in cartridge assembly.

- D. Pool water contains iron; consult your pool professional.
- E. Heavy or improper application of powdered chlorine tablets using a binder; consult your pool professional.
- F. Algae in the pool; apply heavy dose of chlorine or algaecide as recommended by the pool manufacturer.
- G. Use of incorrect chemicals with PHMB sanitizers; replace filter cartridge.
- H. Replace the cartridge.

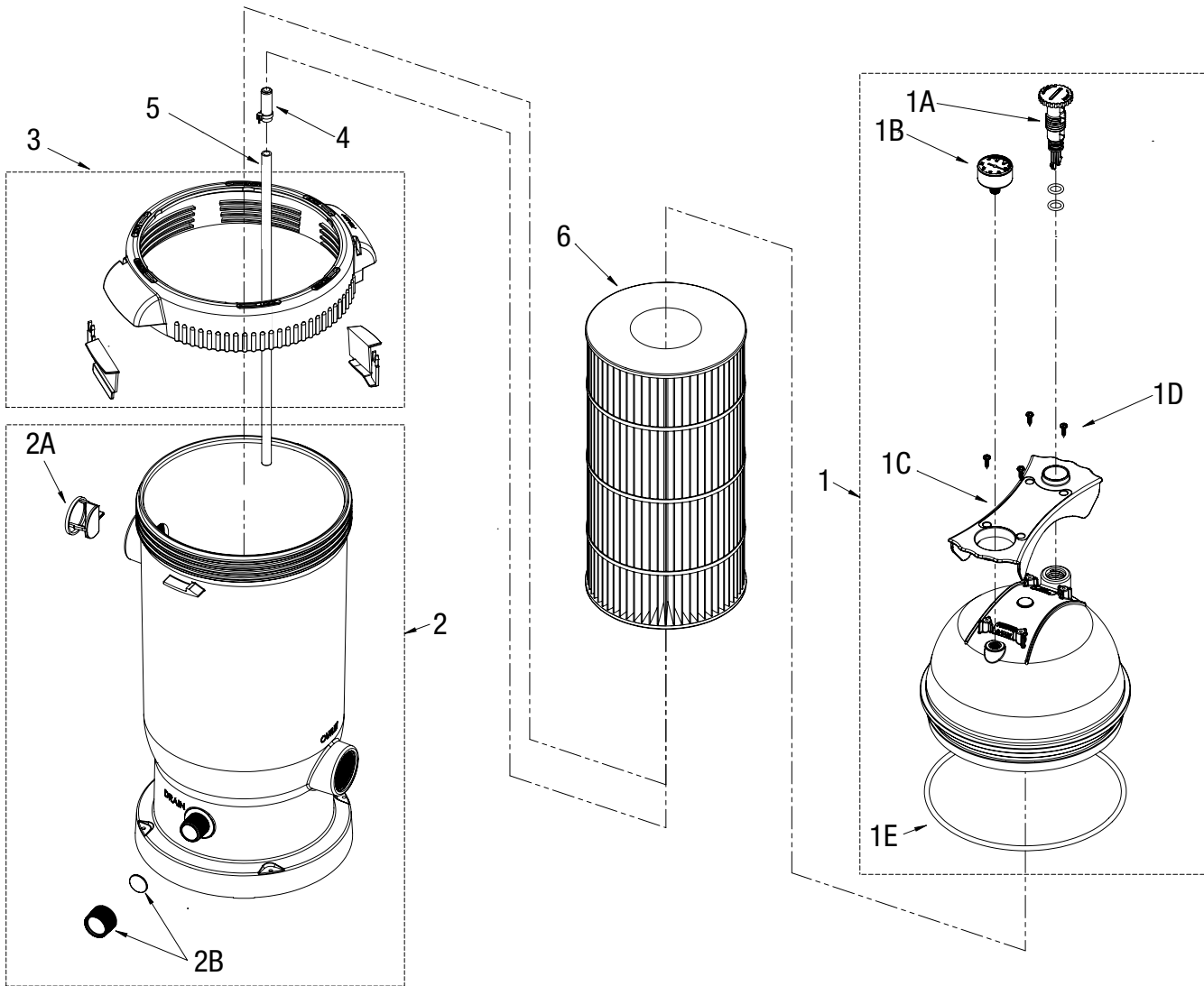
5. Pool Water Not Clean:

- A. Chlorine residual too low; maintain adequate chlorine residual (consult pool service technician for recommendation).
- B. Filter cartridge torn, plugged or punctured; replace cartridge.
- C. Pool water contains iron; consult your pool professional.
- D. Heavy or improper application of powdered chlorine tablets using a binder; consult your pool professional.
- E. Algae in the pool; apply heavy dose of chlorine or algaecide as recommended by the pool manufacturer.
- F. Replace the cartridge.

6. Pool Cleaner Stops Working:

- A. Clean filter and observe performance of pool cleaner.
- B. If pool cleaner performs better after filter has been cleaned, use a shorter cleaning cycle for the filter (that is, clean the filter after a pressure rise of less than 10 PSI).

PROCLEAN PLUS REPLACEMENT PARTS



PROCLEAN PLUS CARTRIDGE FILTER REPLACEMENT PARTS

Item	Part No.	Description
1	550-0611	Filter Lid & Handle Assembly – 75 - 100 sq. ft. (includes #1A - 1E)
	550-0621	Filter Lid & Handle Assembly – 125 - 150 sq. ft. (includes #1A - 1E)
	550-0631	Filter Lid & Handle Assembly – 125 - 200 sq. ft. (includes #1A - 1E)
1A	600-0220	Air Release Valve w/ O-ring Assy
1B	830-4000SS	Pressure Gauge
1C	519-7631	Handle
1D	819-9002	Screws
1E	805-0448	O-ring - Lid
2	550-0601	Filter Body (includes #2A-2B)
2A	519-0221	Water Diverter
2B	550-0260	Drain Cap w/ Gasket Assy

Item	Part No.	Description
3	550-0701	Lock Ring Assembly
4	500-7310	Screen/Sock w/ Clamp Assy
5	872-4000E	Air Bleed Tube - 75 / 100 sq. ft.
	872-4000L	Air Bleed Tube - 125 / 150 sq. ft.
	872-4000F	Air Bleed Tube - 175 / 200 sq. ft.
6	817-0075P	Filter Cartridge - 75 sq. ft.
	817-0100P	Filter Cartridge - 100 sq. ft.
	817-0125P	Filter Cartridge - 125 sq. ft.
	817-0150P	Filter Cartridge - 150 sq. ft.
	817-0175P	Filter Cartridge - 175 sq. ft.
	817-0200P	Filter Cartridge - 200 sq. ft.

LIMITED WARRANTY

Waterway Plastics manufactures its products and equipment in accordance with very high standards of workmanship. We use the best materials available and maintain the highest quality procedures practical in the industry. For Warranty, product must be registered at time of purchase/installation at www.waterwayplastics.com. For Warranty claims or questions, please contact point of purchase.

PROCLEAN PLUS



FILTRES À CARTOUCHE

NOTICE D'UTILISATION

Installation • Fonctionnement • Pièces

MODÈLES

PCCF-075
PCCF-100
PCCF-125
PCCF-150
PCCF-175
PCCF-200



Designed,
Engineered &
Manufactured
in the USA.

Waterway™

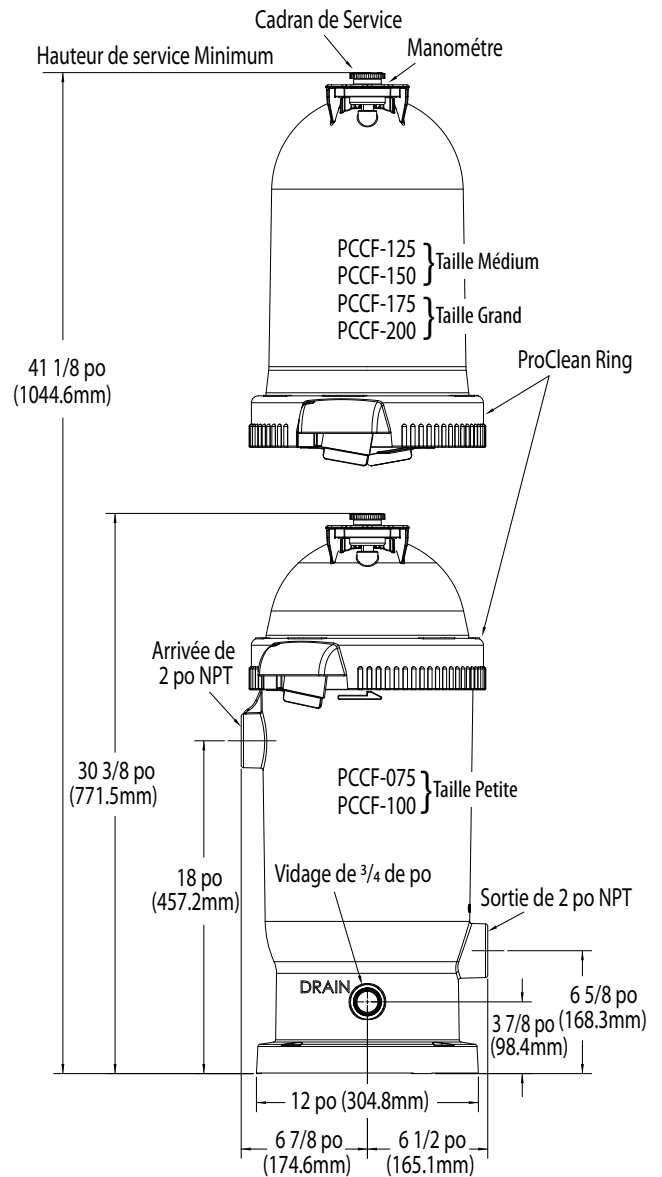
2200 East Sturgis Road, Oxnard CA 93030 • Phone 805.981.0262 • Fax 805.981.9403

www.waterwayplastics.com • waterway@waterwayplastics.com

TABLE DES MATIÈRES

Consignes de sécurité	11
Renseignements généraux	11
Installation	12
Mise en service initiale	12
Démontage et remontage du filtre	13
Nettoyage de la cartouche filtrante	14
Inspection du système/Hivèrisation	14
Guide de diagnostics des pannes.....	15
Pièces de recharge.....	16

SPÉCIFICATIONS



COURBE DES CHUTES DE PRESSION DE TOUS LES MODÈLES PCCF

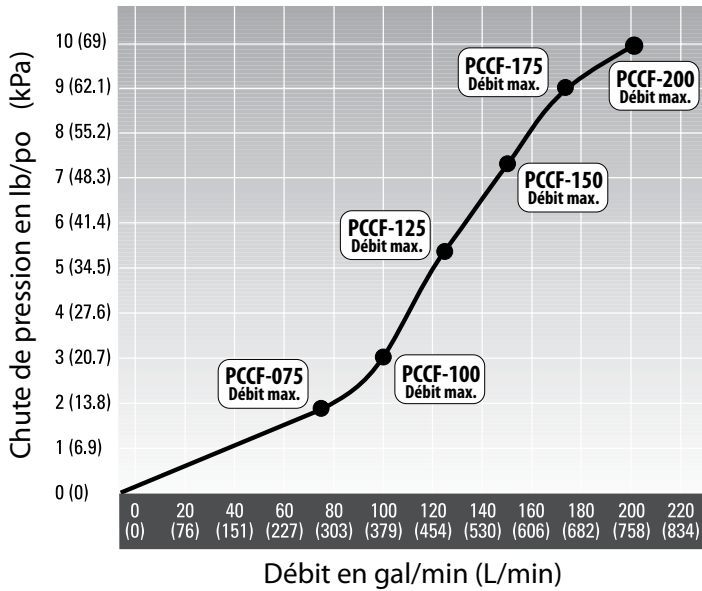


Figure 1 - Dimensions des filtres en pouces (en mm)

Table 1 - Spécifications des filtres

N° des modèles

	PCCF-075	PCCF-100	PCCF-125	PCCF-150	PCCF-175	PCCF-200
Surface de filtration en pi ² (m ²)	75 (6.96)	100 (9.2)	125 (11.6)	150 (13.9)	175 (16.2)	200 (18.6)
Débit résidence maximum en gal/min (L/min)	75 (284)	100 (379)	125 (473)	150 (568)	150 (568)	150 (568)
Débit piscines publique maximum en gal/min (L/min)*	28 (106)	37 (148)	47 (177)	56 (212)	65 (246)	75 (284)
Pression de fonctionnement maximum en lb/po ² (kPa)	50 (345)	50 (345)	50 (345)	50 (345)	50 (345)	50 (345)
Température constante maximum de l'eau - °F (°C)	104° (40°)	104° (40°)	104° (40°)	104° (40°)	104° (40°)	104° (40°)

*Liste de NSF pour débit piscines publique seulement.

LIRE ET OBSERVER TOUTES CE CONSIGNES DE SÉCURITÉ!



Ce symbole indique qu'il faut être prudent. Lorsque ce symbole apparaît sur la pompe ou dans cette Notice, rechercher une des mises en garde qui suivent, car elles indiquent un potentiel possible de blessures corporelles:



DANGER avertit d'un danger qui peut causer la mort, des blessures corporelles ou des dommages matériels importants si on l'ignore.



AVERTISSEMENT avertit d'un danger qui risque de causer la mort, des blessures corporelles ou des dommages matériels importants si on l'ignore.



ATTENTION avertit d'un danger qui peut causer ou qui risquera de causer des blessures corporelles, la mort ou des dommages matériels importants si on l'ignore.

NOTE: indique des instructions spéciales n'ayant aucun rapport avec les dangers.



WARNING Lire attentivement toutes les consignes de sécurité contenues dans cette Notice ou collées sur le filtre. Garder les autocollants concernant les consignes de sécurité en bon état; les remplacer s'ils manquent ou s'ils ont été endommagés.

Pression dangereuse. Un appareil mal installé ou mal contrôlé peut exploser, et, causer de graves blessures corporelles ou des dommages matériels. lire et suivre toutes les instructions figurant dans la Notice d'utilisation pour installer et utiliser ce filtre. demander à un professionnel en piscines de procéder à tous les contrôles de pression.



Ne jamais brancher le filtre sur l'air comprimé.



Ne jamais brancher le système sur le réseau d'eau municipale, ni sur une source externe d'eau sous pression.



Avant de faire fonctionner le système ouvrir le purgeur d'air pour chasser tout l'air du système.



Risque de chutes et de blessures. La surface du filtre est glissante. Ne pas permettre aux enfants de monter ni de jouer sur le filtre.



Ne pas brancher le filtre à une pompe ayant plus de 50 lb/po² (345 kPa).

RENSEIGNEMENTS GÉNÉRAUX

QUAND NETTOYER LE FILTRE:

La cartouche filtrante doit normalement être nettoyée dès que la pression indiquée par le manomètre est supérieure à 10 lb/po² par rapport à la pression de mise en service.

Dans certaines piscines, des accessoires comme des fontaines ou des nettoyeurs automatiques de piscine peuvent être considérablement affectés par une diminution normale du débit, au fur et à mesure que le filtre se bouche. Dans ce cas, nettoyer le filtre plus fréquemment (c'est-à-dire, avant que la pression soit supérieure à 10 lb/po² par rapport à la pression de fonctionnement lors de la mise en service) de façon à maintenir le débit requis.

Dans le cas d'une piscine neuve, la nettoyer le mieux possible avant de la remplir et de faire fonctionner le filtre.

Dans le cas d'une installation type de piscine, il faudra environ une semaine pour que le filtre puisse fournir et garder une eau limpide.

La pression maximum doit être de 50 lb/po² (345 kPa). **NE JAMAIS** brancher le système sur le réseau d'eau municipale, ni une source externe d'eau sous pression.

Les filtres à cartouche Waterway ne sont conçus que pour filtrer l'eau des piscines et des spas. Dans le cas d'une installation neuve, nous recommandons de:

1. Démonter le filtre après le nettoyage initial. Suivre les recommandations figurant sous la rubrique «Démontage et remontage du filtre» de la page 13.
2. Enlever la cartouche filtrante et la nettoyer avec le jet d'un tuyau d'arrosage pour enlever tous les contaminants.

Garder le pH de l'eau de la piscine entre 7.2 - 7.6. S'assurer que la bague Pro-Clean Ring est fermement verrouillée en place avant de faire fonctionner le filtre.

Garder le manomètre en bon état de fonctionnement.

Remplacer immédiatement le manomètre s'il est endommagé.

Les fréquences de nettoyage sont basées sur l'élévation en pression, et non pas sur la durée pendant laquelle le filtre fonctionne. En fonction des conditions de l'eau, les fréquences de nettoyage varient.

NOTA: Certains désinfectants de piscine risquent de colmater la cartouche filtrante. Pour maximiser la durée de la cartouche filtrante et espacer les cycles de nettoyage du filtre, suivre attentivement les instructions du fabricant de désinfectant pour nettoyer la piscine ou le filtre. Ne pas respecter ces instructions risque d'affecter la garantie de la cartouche.

INSTALLATION

LE SUPPORT DU FILTRE DOIT:

- Pouvoir protéger le filtre contre les intempéries et le gel.
- Procurer les dégagements et l'éclairage nécessaires et suffisants pour procéder facilement aux entretiens périodiques (se reporter à la Figure 1 pour connaître les dégagements requis).
- Permettre la ventilation de la pompe et son vidage.
- Être au niveau et assurer un écoulement adéquat.

LA TUYAUTERIE:

NOTE: S'assurer que le filtre et que tous les tuyaux peuvent être vidés pour l'hiver. Se reporter à la rubrique « Hivernisation » de la page 14.

NOTE: Un serrage excessif de la bague risque de fissurer les orifices du filtre.

Utiliser du ruban d'étanchéité en téflon, du Plasto-Joint Stick®† ou du Silastic n° 732® résistant aux variations de température sur tous les raccords mâles des tuyaux et sur tous les raccords en plastique.

NE PAS utiliser de pâte pour raccords filetés sur les tuyaux en plastique, sinon ils se fissureront. Ne pas utiliser de produits d'étanchéité sur les raccords unions - les assembler à sec et ne les serrer qu'à la main.

Supporter les tuyaux indépendamment les uns des autres pour empêcher toutes contraintes sur le filtre.

Garder les raccords des tuyaux bien serrés et exempts de fuites: une fuite de la conduite d'aspiration de la pompe peut causer l'emprisonnement d'air dans le corps du filtre ou une perte d'amorçage de la pompe.

† Lake Chemical Co., Chicago, Ill.

ÉLECTRICITÉ:

S'ASSURER que la mise à la terre de la pompe est conforme aux normes de la municipalité, au National Electrical Code et au Code Canadien de l'électricité. Tout le câblage, toutes les mises à la terre et toutes les liaisons métalliques de l'équipement connexe doivent être conformes aux normes du National Electrical Code, du code Canadien de l'électricité et/ou de la municipalité.

MISE EN SERVICE INITIALE

S'assurer que la pompe est **ARRÊTÉE** avant de procéder à la mise en service. **Ne jamais faire fonctionner ce filtre par des pressions supérieures à 50 lb/po2 (345 kPa).**

1. Verrouiller en toute sécurité en place la bague Pro-Clean Ring en la tournant à DROITE, jusqu'à ce que l'on entende un «déclic», au-delà du verrou de sécurité (se reporter à la Figure 2). Arrêter de tourner la bague dès que l'on entend un déclic au-delà du verrou. Il se peut que

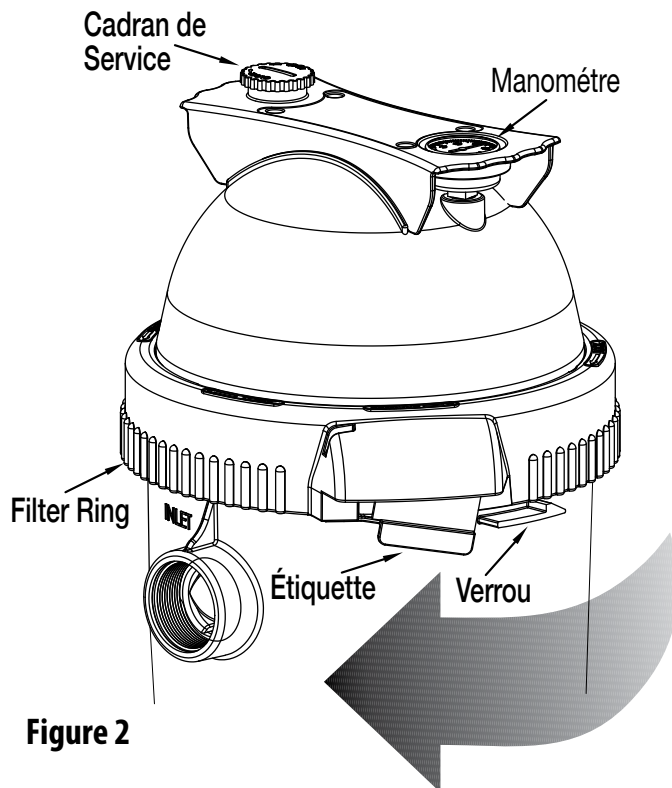


Figure 2

la bague semble être légèrement desserrée, mais elle se serrera dès que la pompe fonctionnera et dès que le filtre sera mis sous pression.

2. Poser le manomètre et le purgeur d'air sur le couvercle du corps du filtre (se reporter à la Figure 2).
3. Remplir d'eau la cuve de la pompe.
4. Ouvrir le purgeur d'air qui se trouve en haut du filtre.
5. Ouvrir les valves séparant le filtre du reste du système.
6. Démarrer la pompe pour chasser l'air du système.
7. Lorsqu'un jet d'eau continu sort du purgeur d'air, le fermer.

NOTE: Toute fuite autour de la bague Pro-Clean Ring peut indiquer que la bague n'est pas complètement verrouillée. Dans ce cas procéder comme suit:

- A. Arrêter la pompe et ouvrir le purgeur d'air de façon à dissiper toute la pression dans le filtre.
- B. Déposer le bouchon de vidage et vider toute l'eau du filtre.
- C. Tourner la bague Pro-Clean Ring à droite jusqu'à ce qu'elle se verrouille derrière le verrou de sécurité (se reporter à la Figure 3).
- D. Si la bague était déjà verrouillée, l'enlever, ainsi que le couvercle du filtre. Inspecter et nettoyer le joint torique et toutes les surfaces d'étanchéité. Au besoin, relubrifier le joint torique.

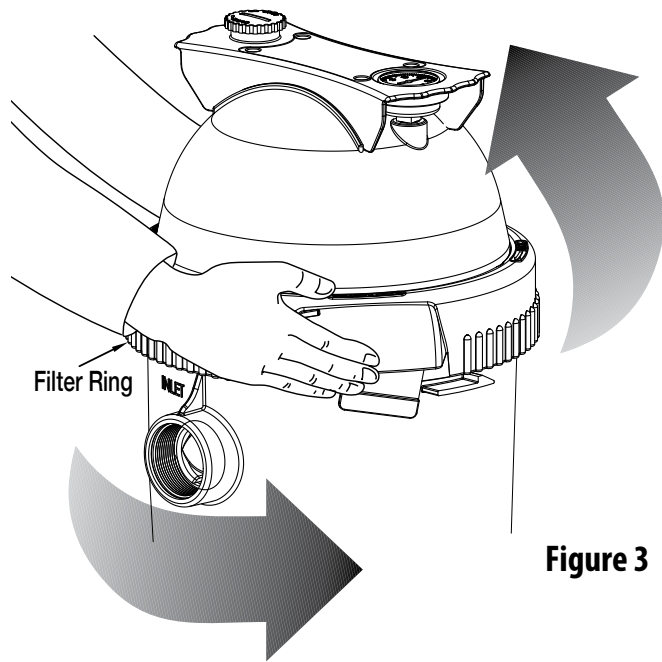


Figure 3

NOTE: Avec de la graisse à la silicone, lubrifier la surface d'étanchéité du joint torique à l'intérieur du rebord supérieur du corps du filtre; utiliser d'autres lubrifiants risque de faire gonfler la bague. NE PAS lubrifier la bague Pro-Clean Ring ni les filets du filtre, car le lubrifiant risque d'attirer la saleté et la poussière, ce qui rendra le démontage difficile.

Pendant que le filtre fonctionne, relever la pression indiquée par le manomètre du filtre et la noter dans la Notice d'utilisation pour s'y reporter ultérieurement.

DÉMONTAGE ET REMONTAGE DU FILTRE

AVANT DE DÉMONTER LE FILTRE:

1. **ARRÊTER** la pompe.
2. **OUVRIR** le purgeur d'air et le raccord de vidage.
3. **ATTENDRE** que toute la pression soit dissipée et que toute l'eau soit vidée du corps du filtre et du système avant de desserrer la bague Pro-Clean Ring.

DÉMONTAGE:

1. Arrêter la pompe.
2. Ouvrir le purgeur d'air qui se trouve en haut du corps du filtre pour dissiper toute la pression accumulée à l'intérieur du corps du filtre et du système.
3. Enlever le bouchon de vidage et vider toute l'eau du corps du filtre.
4. Enlever le couvercle du filtre en procédant comme suit:
 - A. Appuyer sur le verrou de sécurité (qui se trouve sous la bague) en le poussant vers le corps du filtre pour le dégager (se reporter à la Figure 3).

- B. Immobiliser le verrou dans la position dégagée, puis tourner la bague À GAUCHE pour l'enlever. S'il est difficile de tourner la bague, taper légèrement dessus avec un maillet en caoutchouc de façon à surmonter la résistance initiale.
5. Inspecter le joint torique à la recherche de coupures, de fissures, de déformation ou de signes d'usure; le remplacer au besoin.

NOTE: Ne pas enlever le joint torique tant que l'on n'est pas prêt à le remplacer. Pour le déposer, le sortir de sa gorge avec un fil de fer rigide courbé à son extrémité que l'on introduira dans la petite fente d'accès qui se trouve à la partie inférieure du couvercle du corps du filtre.

REMONTAGE:

1. Inspecter et nettoyer le corps du filtre de la bague de serrage et la gorge du joint torique. Remplacer les pièces endommagées au besoin.
2. Poser la cartouche filtrante dans corps du filtre. Appuyer fermement dessus pour la rendre étanche.

NOTE: Avec de la graisse à la silicone, lubrifier la surface d'étanchéité du joint torique à l'intérieur du rebord supérieur du corps du filtre; utiliser d'autres lubrifiants risque de faire gonfler la bague. NE PAS lubrifier la bague Pro-Clean Ring ni les filets du filtre, car le lubrifiant risque d'attirer la saleté et poussière, ce qui rendra le démontage difficile.
3. Poser le joint torique dans la gorge pratiquée dans le couvercle du corps du filtre. S'assurer que le joint torique est propre et qu'il est pas déformé.

NOTE: Ne pas enlever le joint torique tant que l'on n'est pas prêt à le remplacer.
4. Bien poser d'équerre la bague Pro-Clean Ring sur les filets du corps du filtre, puis la tourner à DROITE jusqu'à ce qu'elle se verrouille en toute sécurité en place.
5. Suivre les instructions figurant sous la rubrique «Mise en service initiale» de cette Notice.

VERROU DE SÉCURITÉ

Le but du verrou de sécurité est d'immobiliser la bague Pro-Clean Ring en position verrouillée. Si le verrou est endommagé, le remplacer en procédant comme suit:

1. Appuyer sur le petit cliquet qui se trouve à la partie inférieure du verrou de sécurité, puis appuyer ou taper sur le verrou pour le sortir de la fente du corps du filtre.
2. Glisser le verrou neuf en position jusqu'à ce qu'il se verrouille en place.

NOTE: NE PAS faire fonctionner le filtre si le verrou de sécurité est endommagé ou s'il n'immobilise pas la bague Pro-Clean Ring dans la position verrouillée.

NETTOYAGE DE LA CARTOUCHE FILTRANTE

QUAND NETTOYER LE FILTRE:

La cartouche filtrante doit normalement être enlevée et nettoyée dès que la pression indiquée par le manomètre est supérieure à 10 lb/po² (69 kPa) par rapport à la pression de mise en service. Procéder à toutes les opérations figurant sous la rubrique «Démontage» de cette Notice (page 13).

NOTE: Si on désinfecte la piscine avec des nettoyants à base de polyhexméthylène biquanide (PHMB), *n'utiliser que des probaïts (PHMB) pour nettoyer la cartouche filtrante.* Si on utilise des désinfectants au PHMB, la cartouche filtrante DOIT être nettoyée plus fréquemment et plus complètement que dans le cas d'une piscine dans laquelle on utilise du chlore. Suivre attentivement les instructions du fabricant. L'utilisation d'autres nettoyants conjointement avec des désinfectants de piscine au PHMB annulera la garantie du filtre.

1. Enlever le bouchon de vidage et chasser les corps étrangers contenus dans le corps du filtre avant de enlever la cartouche filtrante.
2. Laisser le corps du filtre se vider.
3. Sortir la cartouche du corps du filtre et, à l'aide du jet d'un tuyau d'arrosage, bien la nettoyer. Asperger toute la surface de la cartouche. La laisser s'égoutter.
4. Inspecter la cartouche. Au besoin répéter l'opération de nettoyage. Si la cartouche est endommagée, la remplacer.
5. Suivre toutes les opérations figurant sous les rubriques «Remontage» (page 13) et «Mise en service initiale» (page 12) de cette Notice.

NOTE: Si cette méthode ne permet plus de nettoyer adéquatement la cartouche, jeter la cartouche et la remplacer par une neuve.

INSPECTION DU SYSTÈME

GÉNÉRALITÉ:

NOTE: NE PAS utiliser de solvants pour nettoyer le filtre, car ces produits risquent d'endommager les composants en plastique du système.

NOTE: Ouvrir le purgeur d'air et chasser tout l'air du filtre chaque fois que l'on arrête la pompe, puis qu'on la remet en marche.

INSPECTION HEBDOMADAIRE:

1. Enlever tous les débris accumulés dans le panier de l'écumoire de la piscine.
2. Arrêter la pompe; ouvrir le purgeur d'air pour dissiper toute la pression.
3. Enlever le couvercle et le joint d'étanchéité de la cuve de la pompe; enlever tous les débris.
4. Vérifier la pompe à la recherche de fuites. En cas de fuites, se reporter à la Notice d'utilisation de la pompe.
5. Reposer le joint de la cuve et le couvercle de la pompe. Serrer fermement le couvercle à la main. NE PAS utiliser de clé de couvercle pour le serrer.
6. Redémarrer la pompe. Fermer le purgeur d'air du filtre dès qu'un jet d'eau continu s'en échappe.
7. Dès que le système fonctionne normalement, vérifier la pression du filtre. Dès que la pression du filtre est de 10 lb/po² (69 kPa) ou plus supérieur à la pression de mise en service initiale, le filtre doit être nettoyé. Se reporter à la rubrique «Nettoyage de la cartouche».

HIVÉRISATION

NOTE: Protéger le filtre contre le gel. Laisser geler le filtre l'endommagera, et la garantie sera annulée. Dans la mesure du possible, remiser le système à l'intérieur.

1. Nettoyer le filtre conformément aux instructions avant de le hiverner.
2. Arrêter la pompe.
3. Ouvrir le purgeur d'air, ainsi que toutes les valves du système.
4. Enlever les bouchons de vidage de la cuve de la pompe, de la pompe et du filtre.
5. Vider le système par gravité aussi loin que possible.
6. Démontez le filtre (se reportant aux instructions figurant sous la rubrique «Démontage du filtre» de page 13). Enlever la cartouche du corps du filtre et l'entreposer dans un endroit sec et chaud.
7. Pour empêcher l'eau de pénétrer dans le filtre (laquelle risquera de geler), couvrir le filtre avec une toile de plastique.

GUIDE DE DIAGNOSTIC DES PANNES

1. Cycles de fonctionnement de courte durée:

NOTE: La durée des cycles de fonctionnement varie avec chaque installation et selon les régions du pays. Les causes et remèdes suivants se rapportent à des durées de cycles de fonctionnement plus courtes que la normale pour la région dans laquelle le filtre sera installé.

- A. Valeur résiduelle de chlore trop basse; maintenir une valeur résiduelle adéquate (consulter un professionnel en piscines pour les recommandations).
- B. La cartouche filtrante est sale ou bouchée; bien nettoyer le filtre (se reporter au paragraphe 4, ci-dessous «Cartouche filtrante bouchée» et à la rubrique «Nettoyage de la cartouche filtrante» de la page 14).
- C. L'eau est chimiquement déséquilibrée; consulter un professionnel en piscines.
- D. Algues dans la piscine. traiter avec une forte dose de chlore ou l'algicide, selon les recommandations du fabricant de la piscine.
- E. Remplacer la cartouche filtrante.

2. Débit faible et pression élevée:

- A. La cartouche filtrante est bouchée; bien nettoyer le filtre (se reporter à la page 14).
- B. La tuyauterie est bouchée en avant du filtre; éliminer l'obstruction.
- C. Tuyauterie trop petite; utiliser des tuyaux de plus gros diamètre (consulter le marchand pour connaître de diamètre des tuyaux à utiliser).

3. Débit faible et pression basse:

- A. Pompe ou cuve de la pompe bouchées par des cheveux ou débris; bien les nettoyer.

4. Cartouche filtrante bouchée:

- A. Nettoyage insuffisant; suivre attentivement les instructions de nettoyage et bien nettoyer (se reporter à la page 14).
- B. L'eau est chimiquement déséquilibrée; consulter un professionnel en piscines.
- C. Quantité d'air excessive dans le filtre. Nettoyer le tube de purge d'air de la cartouche filtrante.

- D. L'eau de la piscines contient du fer. Consulter un professionnel en piscines.
- E. Utilisation trop importante ou inadéquate de tablettes de chlore en poudre contenant un liant. Consulter un professionnel en piscines.
- F. Algues dans la piscines. Traiter avec une forte dose de chlore ou d'algicide, selon les recommandations du fabricant de la piscine.
- G. Utilisation de mauvais produits chimiques avec des désinfectants au PHMB. Remplacer la cartouche filtrante.
- H. Remplacer la cartouche filtrante.

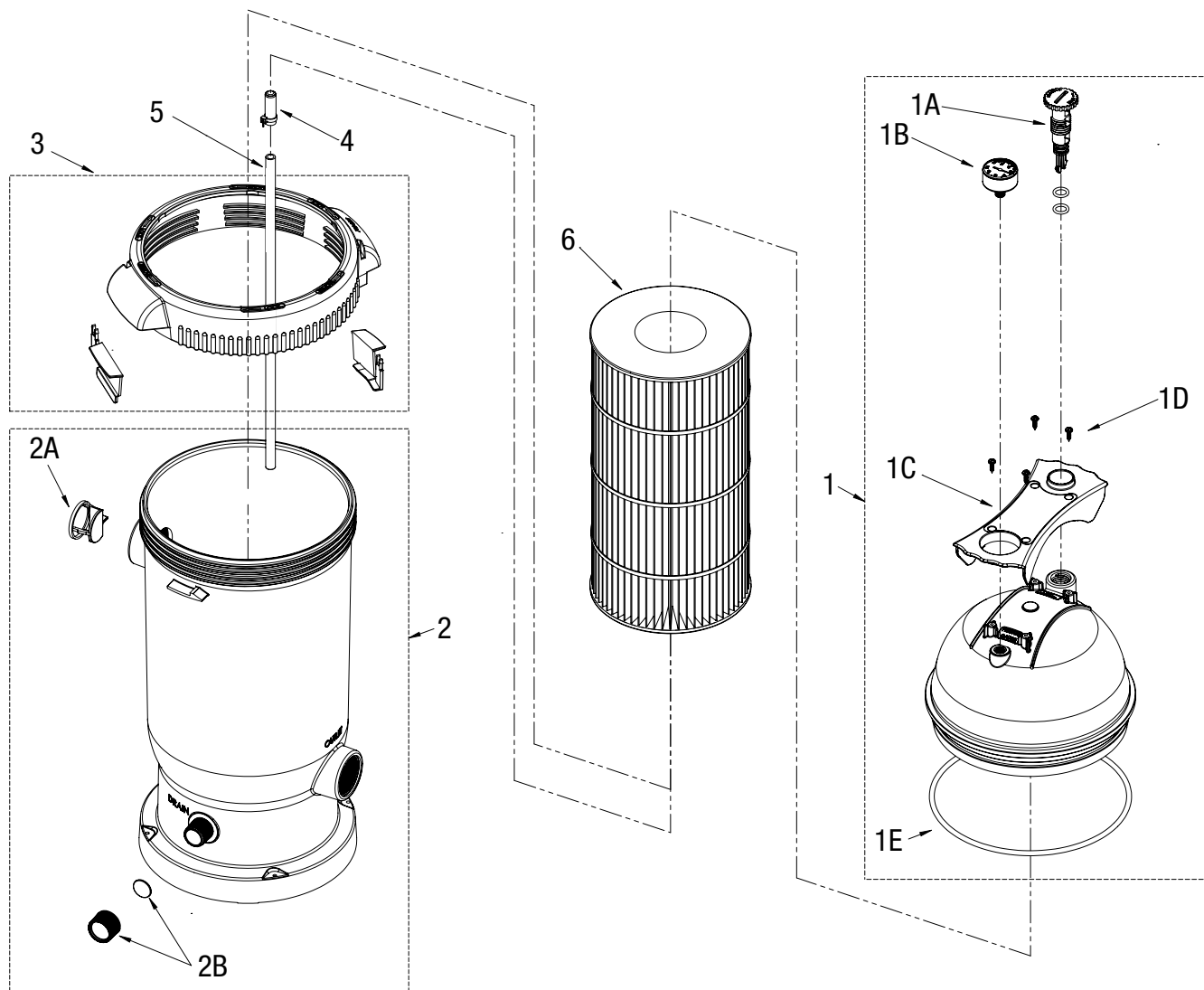
5. L'eau de la piscine n'est pas propre:

- A. La valeur résiduelle de chlore trop basse; maintenir une valeur résiduelle adéquate (consulter un professionnel en piscines pour les recommandations).
- B. La cartouche filtrante est déchirée, bouchée ou perforée; la remplacer.
- C. L'eau de la piscine contient du fer. Consulte un professionnel en piscines pour les recommandations.
- D. Utilisation trop importante ou inadéquate de tablettes de chlore en poudre contenant un liant. Consulter un professionnel en piscines pour les recommandations. Traiter avec une forte dose de chlore ou d'algicide, selon les recommandations du fabricant de la piscine.
- E. Algues dans la piscines.
- F. Remplacer la cartouche filtrante.

6. Le nettoyeur de piscine cessent de fonctionner:

- A. Nettoyer le filtre et observer le rendement du nettoyeur automatique de la piscine.
- B. Si le nettoyeur automatique de la piscine fonctionne mieux après avoir nettoyé le filtre, nettoyer le filtre plus fréquemment (c'est-à-dire avant que la pression soit supérieure à 10 lb/po² par rapport à la pression de fonctionnement lors de la mise en service).

PIECES DE REMPLACEMENT PROCLEAN PLUS



PIECES DE REMPLACEMENT POUR CARTOUCHE DE PROCLEAN PLUS

Item	No. de pièce	Description
1	550-0611	Couvercle du Filtreur & Assemblage Poignée – 75 - 100 pi/ca (incluent #1A - 1E)
	550-0621	Couvercle du Filtreur & Assemblage Poignée – 125 - 150 pi/ca (incluent #1A - 1E)
	550-0631	Couvercle du Filtreur & Assemblage Poignée – 125 - 200 pi/ca (incluent #1A - 1E)
1A	600-0220	Soupape de Décharge de l'Air avec O-ring Assemblage
1B	830-4000SS	Manomètre
1C	519-7631	Poignée
1D	819-9002	Vis
1E	805-0448	O-ring - Courvercle
2	550-0601	Corps du Filtre & Bague ProClean Plus (incluent #2A-2B)
2A	519-0221	Divertisseur de l'Eau
2B	550-0260	Bouchon de Vindange avec Gasket Assemblage

Item	No. de pièce	Description
3	550-0701	La Bague de Verrouillage Assemblage
4	500-7310	Écran / Chaussette avec Pince Assemblage
5	872-4000E	Tube de Purge d'air – 75 - 100 pi/ca
	872-4000L	Tube de Purge d'air – 125 - 150 pi/ca
	872-4000F	Tube de Purge d'air – 125 - 200 pi/ca
6	817-0075P	Filtre à Cartouche - 75 pi/ca
	817-0100P	Filtre à Cartouche - 100 pi/ca
	817-0125P	Filtre à Cartouche - 125 pi/ca
	817-0150P	Filtre à Cartouche - 150 pi/ca
	817-0175P	Filtre à Cartouche - 175 pi/ca
	817-0200P	Filtre à Cartouche - 200 pi/ca

GARANTIE LIMITÉE

Waterway Plastics fabrique ses produits et son équipement conformément à des normes de fabrication de très niveau. Nous employons les meilleurs matériaux disponibles et utilisons des procédures de la plus haute qualité possible dans l'industrie. Pour que la garantie soit valide, le produit doit être enregistré au moment de l'achat/installation au www.waterwayplastics.com. Pour les recours à la garantie, ou si vous avez des questions, veuillez contacter votre revendeur.

PROCLEAN PLUS



FILTROS DE CARTUCHO

MANUAL DEL USUARIO

Instalación • Operación • Partes

MODELOS

PCCF-075
PCCF-100
PCCF-125
PCCF-150
PCCF-175
PCCF-200



2200 East Sturgis Road, Oxnard CA 93030 • Phone 805.981.0262 • Fax 805.981.9403
www.waterwayplastics.com • waterway@waterwayplastics.com

ÍNDICE

Instrucciones de seguridad.....	19
Información general.....	19
Instalación	20
Arranque inicial.....	20
Desensamblaje / Ensamblaje del filtro	21
Procedimiento de limpieza del cartucho	22
Inspección del sistema /	
Preparación para invierno	22
Guía para la localización de fallas.....	23
Lista de refacciones para la reparación	24

ESPECIFICACIONES

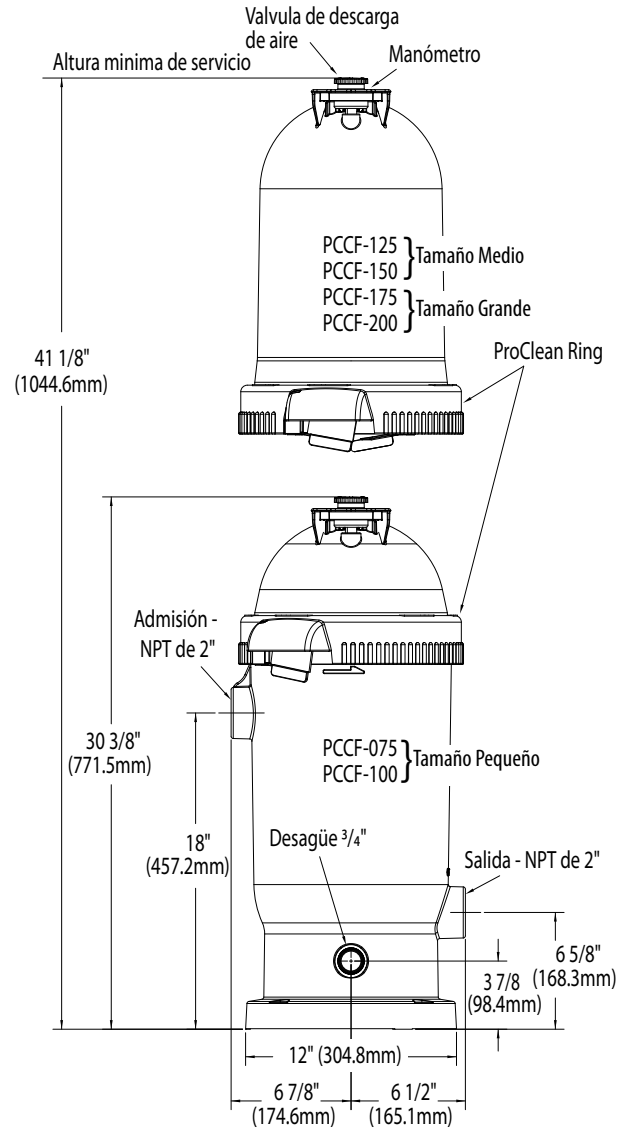
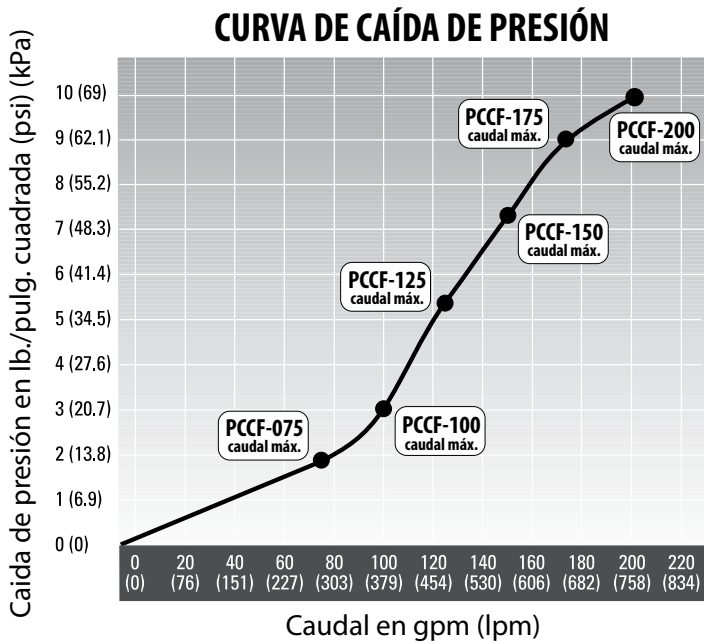


Figura 1 - Dimensiones del filtro en pulgadas (mm)

Table 1 - Especificaciones del filtro

Modelo N°

	PCCF-075	PCCF-100	PCCF-125	PCCF-150	PCCF-175	PCCF-200
Área del filtro en pies cuadrados (metros ²)	75 (6.96)	100 (9.2)	125 (11.6)	150 (13.9)	175 (16.2)	200 (18.6)
Caudal residencial máximo en GPM (LPM)	75 (284)	100 (379)	125 (473)	150 (568)	150 (568)	150 (568)
Caudal piscine pública máximo en GPM (LPM)*	28 (106)	37 (148)	47 (177)	56 (212)	65 (246)	75 (284)
Máx presión de operación en lb./pulg. ² (kPa)	50 (345)	50 (345)	50 (345)	50 (345)	50 (345)	50 (345)
Máx. temperatura continua del agua - F (C)	104° (40°)	104° (40°)	104° (40°)	104° (40°)	104° (40°)	104° (40°)

*Listado por NSF para flujos en piscinas públicas solamente.

LEA Y SIGA LAS INSTRUCCIONES DE SEGURIDAD



Este es un símbolo de seguridad. Cuando vea este símbolo en su filtro o en este manual, busque una de las siguientes palabras y esté alerta a la probabilidad de lesiones personales:



PELIGRO advierte sobre riesgos que, si se ignoran, provocarán muerte, lesiones personales graves, o daños materiales considerables.



ADVERTENCIA advierte sobre riesgos que, si se ignoran pueden provocar muerte, lesiones personales graves, o daños materiales considerables.



PRECAUCIÓN advierte sobre riesgos que, si se ignoran provocarán o pueden provocar muerte, lesiones personales graves, o daños materiales considerables.

AVISO: Indica instrucciones especiales no relacionadas con riegos.

Lea con atención y siga todas las instrucciones de seguridad contenidas en este manual o en la máquina. Mantenga las etiquetas de seguridad en buen estado; reemplace las etiquetas que falten o que se hayan estropeado.



ADVERTENCIA **Presión peligrosa El equipo insalado o probado de manera incorrecta pueda fallar, ocasionando lesiones o daños materiales graves.** Cuando instale y opere la máquina, lea y siga las instrucciones contenidas en el manual del propietario. Las pruebas de presión deben ser realizadas por un profesional experto en piscinas de natación.



Bajo ninguna circunstancia conecte el filtro al aire comprimido.



No conecte el sistema a un sistema de aguas municipales ni a otra fuente externa de agua a presión.



No conecte el filtro a bombas capaces de sobrepasar el máximo de presión de 50 libras por pulgada cuadrada (345 kPa).



Abra la válvula de descarga de aire para dejar salir todo el aire del sistema antes de hacerlo funcionar.



ADVERTENCIA Riesgo de caídas y lesiones. La superficie del filtro es resbaladiza. No permita que los niños se paren o jueguen sobre el filtro.

INFORMACIÓN GENERAL

CUANDO SE DEBE LIMPIAR EL FILTRO:

El cartucho de filtro se debe limpiar generalmente cuando la lectura del manómetro aumenta 10 lb./pulg. cuadrado (psi) por encima de presión de inicio.

En ciertas piscinas, es posible que, a medida que el filtro se ensucia, el impacto de la disminución normal del caudal en accesorios como fuentes o limpiadoes de piscinas no sea evidente. Si es así, limpie el filtro con más frecuencia (es decir a un aumento de presión menor de 10 psi) para poder mantener el flujo requerido.

Limpie una piscina nueva de la mejor forma posible antes de llenarla y hacer funcionar el filtro.

Una instalación típica de piscina necesitará aproximadamente una semana para obtener y mantener el brillo que su filtro es capaz de otorgarle.

La presión máxima es de 50 psi (345 kPa). NO conecte el filtro a un sistema de aguas públicas ni a un sistema de pozos de agua individual.

El filtro de cartucho Waterway ha sido diseñado solamente para filtrar agua para piscinas de natación y baños de inmerión. Si la instalación de la piscina es nueva, recomendamos lo siguiente:

1. Desarme el filtro después de la primera limpieza inicial. Siga el "Procedimiento para Desensamblar/Ensamblar el Filtro", en la página 21.
2. Quite y lave el cartucho con una manguera para eliminar los contaminantes.

Mantenga el pH del agua de la piscina entre 7.2 y 7.6.

Asegúrese de que Pro-Clean Ring esté debidamente fijo en posición antes de hacer funcionar el filtro.

Mantenga el manómetro en buen estado de operación.

Cambie un manómetro averiado inmediatamente.

Los intervalos de limpieza se basan en el alza de presión, no en la cantidad de tiempo que se utilice el filtro. Los intervalos de limpieza normal dependerán de las condiciones diferentes del agua.

AVISO: Ciertos desinfectantes para piscinas puede obturar el cartucho del filtro. Para alargar la vida del cartucho y del filtro, siga al pie de la letra las instrucciones del fabricante del desinfectante cuando limpie la piscina o el filtro. Si hace caso omiso de esas instrucciones, podrá afectar la cobertura de la garantía del cartucho.

INSTALACIÓN

EL MONTAJE DEL FILTRO DEBE:

- Proporcionar protección contra las condiciones climáticas y las heladas.
- Proporcionar suficiente espacio e iluminación para permitir un acceso fácil para realizar trabajos de mantenimiento de rutina (consulte la Figura 1 para obtener los requisitos de espacio).
- Proporcionar ventilación y desagüe para la bomba.
- Estar sobre una superficie razonablemente nivelada y con un drenaje adecuado.

TUBERÍA:

AVISO: Asegúrese de que el filtro y toda la tubería se puedan drenar para prepararlos para el invierno. Consulte la sección de "Preparación para el invierno" en la página 22.

AVISO: No apriete demasiado ya que puede rajar las aberturas de conducto del filtro.

Use cinta de Teflón, Plasto-Joint Stik® o Silastic RTV No. 732® en todas las conexiones fileteadas de los tubos y accesorios de plástico. **NO use compuesto para tubos en el filtro, ya que podrá ocasionar rajaduras en las conexiones. No use compuestos selladores en las uniones - séquelas antes de ensamblarlas y apriételas a mano.**

Sostenga la tubería independientemente para evitar deformaciones en el filtro.

Mantenga la tubería hermética y sin fugas: las fugas en la línea de aspiración de la bomba pueden hacer que el aire quede atrapado en el tanque del filtro o que la bomba pierda cebadura.

† Lake Chemical Co., Chicago, Ill.

CONEXIONES ELÉCTRICAS:

VERIFIQUE que la conexión a tierra de la bomba cumpla con las normas locales y las normas del National Electriccal Code (Código Nacional de Normas de Electricidad). Todo el cableado y las conexiones a tierra de las máquinas deberán cumplir con las normas locales y las del National Electrical Code.

ARRANQUE INICIAL

Antes de comenzar el procedimiento de arranque verifique que la bomba esté apagada.
Nunca opere el filtro a más de 50 libras/pulg.² (345 kPa).

1. Trabe el Pro-Clean Ring firmemente en posición haciéndolo girar HACIA LA DERECHA hasta que haga "clic", después del pasador de seguridad (Consulte la Figura 2). Deje de girar en el momento en que el

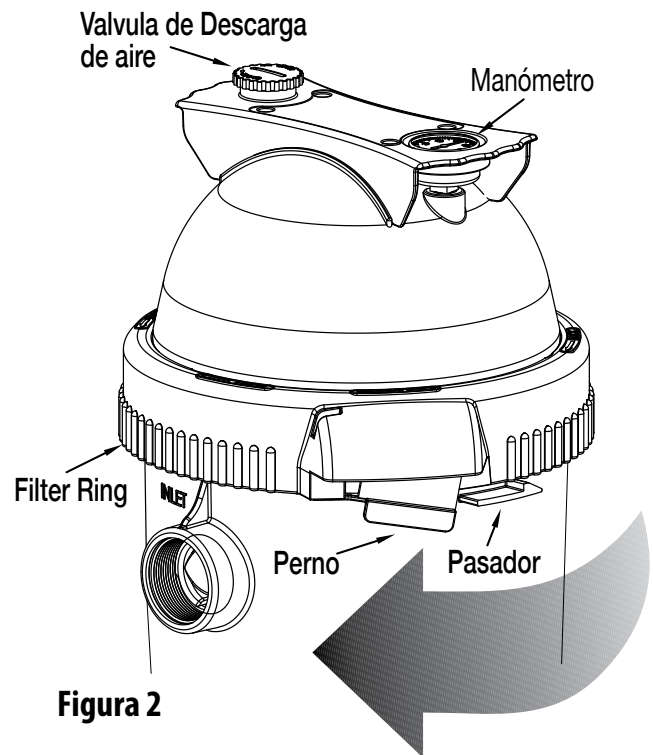


Figura 2

aro haga clic después del pasador. Es posible que el aro dé la sensación de estar flojo, pero se ajustará cuando la bomba esté encendida y el filtro se encuentre bajo presión.

2. Instale el manómetro y la válvula de descarga de aire (Consulte la Figura 2) en la tapa del tanque.
3. Llene el colector de la bomba con agua.
4. Abra la válvula de descarga de aire en la parte superior del filtro.
5. Abra las válvula que separan el filtro del resto del sistema.
6. Encienda la bomba para purgar del aire del sistema.
7. Cierre la válvula de descarga de aire cuando salga un chorro firme de agua.

AVISO: Fugas alrededor del Pro-Clean Ring pueden ser indicación de que el aro no está completamente trabado. En este caso, proceda de la siguiente manera:

- A. Pare la bomba y abra la válvula de descarga de aire para liberar la presión dentro del filtro.
- B. Saque el tapón de desagüe y drene toda el agua del filtro.
- C. Haga girar el Pro-Clean Ring hacia la derecha hasta que se trabe detrás del pasador de seguridad (Consulte la Figura 2).
- D. Si el aro ya estaba trabado, sáquelo y saque la unidad de la tapa del filtro. Inspeccione y limpie el anillo o de la tapa y todas las superficies de estanqueidad. Si es necesario, vuelva a lubricar el anillo o de la tapa.

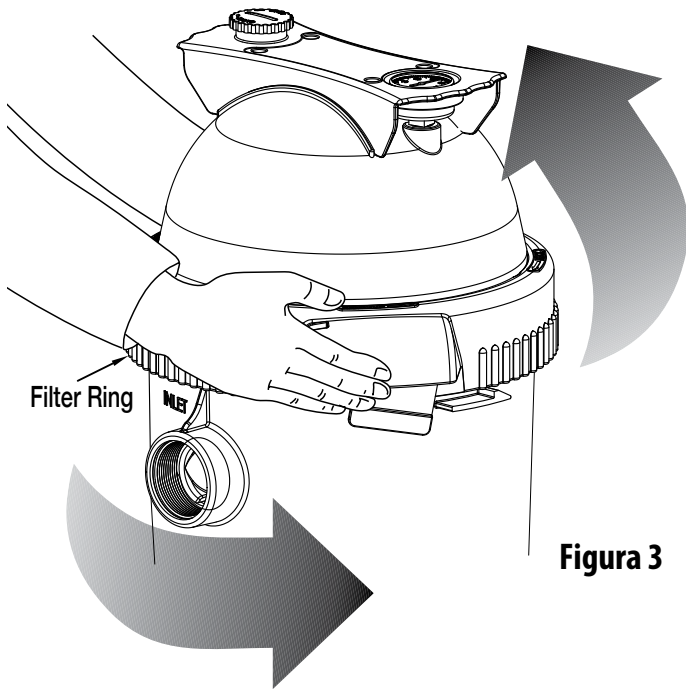


Figura 3

AVISO: Lubrique el área de estanqueidad del aro tórico dentro del borde del tanque superior con grasa de silicona, ya que otro tipo de lubricante podría hacer que el aro se hinche. NO lubrique el Pro-Clean Ring ni las roscas del casco del tanque ya que pueden acumular polvo y dificultar para removerlo.

Una vez que el filtro esté funcionando, anote la lectura del manómetro del filtro en el manual del propietario para referencia futura.

PROCEDIMIENTO DE DESENSAMBLAJE / ENSAMBLAJE DEL FILTRO

ANTES DE DESENSAMBLAR EL FILTRO:

1. PARE LA BOMBA.
2. ABRA la válvula de descarga de aire y drene el accesorio.
3. ESPERE hasta que se haya descargada toda la presión y se haya drenado el agua del tanque de filtrado y del sistema antes de aflojar el Pro-Clean Ring.

DESENSAMBLAJE:

1. Pare la bomba.
2. Abra la válvula de descarga de aire en la parte superior del tanque de filtrado para descargar toda la presión de aire del interior del tanque.
3. Saque el tapón de desahúe del filtro y drene toda el agua del tanque.
4. Saque la unidad de la tapa del filtro de la siguiente manera:
 - A. Oprima el pasador de seguridad (debajo del aro) hacia el tanque para soltarlo. (Consulte la Figura 3).

- B. Mantenga el pasador en la posición desenganchada y gire el aro HACIA LA IZQUIERDA para sacarlo. Si tiene dificultad en mover el aro, golpee delicadamente con un martillo de goma para desprender la resistencia inicial.

5. Verifique que el aro tórico no tenga cortes, rajaduras, deformación o señales de desgaste; reemplace si ese necesario.

AVISO: No saque el aro tórico a menos que sea necesario reemplazarlo. Para sacarlo, engánchelo y sáquelo de su canaleta con un trozo curvo y rígido de alambre introducido en la ranura de acceso pequeña que se encuentra en la parte inferior de la unidad de la tapa del tanque.

ENSAMBLAJE:

1. Inspeccione y limpie el tanque, las rocas del aro y la canaleta del aro tórico. Reemplace las piezas arruinadas si ese necesario.
2. Instale el cartucho del filtro en la tanque. Presione firmemente para sellarlo.

AVISO: Lubrique el área de estanqueidad del aro tórico dentro del borde del tanque superior con grasa de silicona, ya que otro tipo de lubricante podría hacer que el aro se hinche. NO lubrique el Pro-Clean Ring ni las roscas del casco del tanque ya que pueden acumular polvo y dificultar para removerlo.
3. Instale el tapa aro tórico en la canaleta del aro tórico en la unidad de la tapa del tanque. Verifique que el aro tórico esté limpio y no quede torcido.

AVISO: No saque el aro tórico a menos que deba reemplazarlo.
4. Coloque el Pro-Clean Ring debidamente sobre las roscas del casco del tanque y hágalo girar HACIA LA DERECHA hasta que quede enganchado firmemente.
5. Siga las instrucciones en la sección de "Arranque Inicial" de este manual.

PASADOR DE SEGURIDAD

El propósito del pasador de seguridad es para sostener el Pro-Clean Ring en la posición trabada. Si el pasador está arruinado, reemplácelo de la siguiente manera:

1. Presione hacia arriba la traba pequeña en la parte inferior del pasador de seguridad y oprima o golpee el pasador para sacarlo de la ranura en el tanque.
2. Deslice el nuevo pasador en posición hasta que se enganche correctamente.

AVISO: NO opere el filtro si el pasador de seguridad está arruinado, de lo contrario no mantendrá el Pro-Clean Ring en la posición trabada.

PROCEDIMIENTO DE LIMPIEZA DEL CARTUCHO

CUÁNDO SE DEBE LIMPIAR EL FILTRO:

El cartucho del filtro generalmente se debe sacar y limpiar cuando la lectura del manómetro aumenta 10 psi (69 kPa) por encima de la presión de inicio. Siga todos los pasos de la sección de “Desensamblaje” de este manual. (página 21).

AVISO: Cuando desinfecte su piscina con limpiadores PHMB (polihexametileno bicuanide), use solamente limpiadores PHMB para limpiar el cartucho a fondo. Cuando use desinfectantes PHMB, DEBERÁ limpiar el cartucho del filtro más detalladamente y con más frecuencia que en una piscina que use cloro. Sigas las instrucciones del fabricante al pie de la letra. El uso de otro tipo de productos de limpieza con desinfectantes de piscinas PHMB anulará la garantía del filtro.

1. Saque la tapa de desagüe y enjuague todo el material extranjero del interior del tanque antes de retirar el cartucho del filtro.
2. Deje drenar el tanque.
3. Saque el cartucho y límpielo bien con una manguera. Atomice toda la superficie del cartucho. Y deje que se escurra.
4. Inspeccione el cartucho. Si es necesario, repita la operación de lavado. Reemplace el cartucho si lo encuentra arruinado.
5. Siga todos los pasos en las secciones de “Ensamblaje” (página 21) y “Arranque Inicial” (página 20) de este manual.

AVISO: Cuando ya no pueda limpiar debidamente el cartucho con este procedimiento, descártelo y reemplácelo por uno nuevo.

INSPECCIÓN DEL SISTEMA

GENERAL:

AVISO: NO use solventes para limpiar el filtro; los solventes pueden dañar los componentes de plástico del sistema.

AVISO: Cada vez que detenga y vuelva a encender la bomba, abra la válvula de descarga de aire y purgue todo el aire del filtro.

INSPECCIÓN SEMANAL:

1. Elimine la suciedad de la cesta de la espumadera de la piscina.
2. Pare la bomba; abra la válvula de descarga de aire para descargar toda la presión.
3. Retire la tapa y la cesta del colector; limpie la suciedad.
4. Verifique que la bomba no tenga fugas. En caso de existir fugas, consulte el manual del usuario de la bomba.
5. Vuelva a colocar la cesta y la tapa del colector. Apriete la tapa a mano con firmeza. NO use una llave para tapas para apretarla.
6. Encienda la bomba. Cierre la válvula de descarga de aire del filtro cuando salga un chorro firme de agua de esta válvula.
7. Cuando el sistema recupere su funcionamiento normal, verifique la presión del filtro. Si la presión del filtro es de 10 libras/pulgada² (69 kPa) o mayor que la presión de arranque inicial, el filtro requiere limpieza. Consulte el “Procedimiento para la limpieza del Cartucho”, a la izquierda.

PREPARACIÓN PARA EL INVIERNO

AVISO: Proteja el filtro de las heladas. Si permite que el filtro se congele, éste se puede dañar y la garantía ya no será válida. Si es posible, guarde el sistema bajo techo.

1. Antes de la preparación para el invierno, limpie el filtro según las instrucciones (a la izquierda).
2. Pare la bomba.
3. Abra la válvula de descarga de aire; abra todas las válvulas del sistema.
4. Saque los tapones de desagüe del colector, de la bomba y del filtro.
5. Drene el sistema por gravedad hasta donde sea posible.
6. Desarme el filtro (siga las instrucciones de la Sección “Desensamblaje del Filtro”, página 21). Saque el cartucho del filtro y guárdelo en un lugar tibio y seco.
7. Cubra el filtro con plástico o lona impermeabilizada para impedir la entrada del agua y el congelamiento.

GUÍA PARA LA LOCALIZACIÓN DE FALLAS

1. Ciclos cortos:

NOTICE: Cycle time will vary with each location and between different areas of the country. The following causes and remedies are for cycle times shorter than normal for your area.

- A. Residuo de cloro muy bajo; mantenga un residuo adecuado (consulte con un experto en piscinas para que lo asista).
- B. El cartucho del filtro está sucio u obturado; limpie bien el filtro (consulte el punto No. 4, "Cartucho obturado" y el "Procedimiento de Limpieza del Cartucho", página 21).
- C. El agua no tiene el balance químico adecuado; consulte con un experto en piscinas.
- D. Algas en la piscina. Aplique una dosis alta de cloro o algicida según lo recomiende el fabricante de la piscina.
- E. Reemplace el cartucho.

2. Bajo Flujo/Alta Presión:

- A. Cartucho obstruido; limpie bien el filtro (consulte la página 22).
- B. Tubería tapada en el tramo de aguas abajo; elimine la obstrucción.
- C. Tubería muy pequeña; instale una tubería más grande (consulte con el distribuidor del filtro para que lo asesore).

3. Bajo Flujo/Baja Presión:

- A. Bomba obstruida o cabellos o pelusa atorados en el colector; limpie bien.

4. Cartucho Obstruido:

- A. Limpieza insuficiente; siga al pie de la letra las instrucciones de limpieza y limpie perfectamente (consulte la página 22).
- B. El agua no tiene el balance químico apropiado; consulte con un técnico en servicio para piscinas.
- C. Exceso de aire en el filtro. Ventile el aire del tanque y verifique que el tubería de aspiración de la bomba no tenga fugas. Limpie el tubo de purga de aire en la unidad del cartucho.

- D. El agua de la piscina contiene hierro; consulte con un técnico de servicio para piscinas.
- E. Aplicación excesiva o incorrecta de tabletas de cloro en polvo usando un aglomerante. Consulte a un experto en piscinas.
- F. Algas en la piscina. Aplique una dosis alta de cloro o algicida según las recomendaciones del fabricante de la piscina.
- G. Uso incorrecto de sustancias químicas con desinfectantes PHMB. Reemplace el cartucho del filtro.
- H. Reemplace el cartucho.

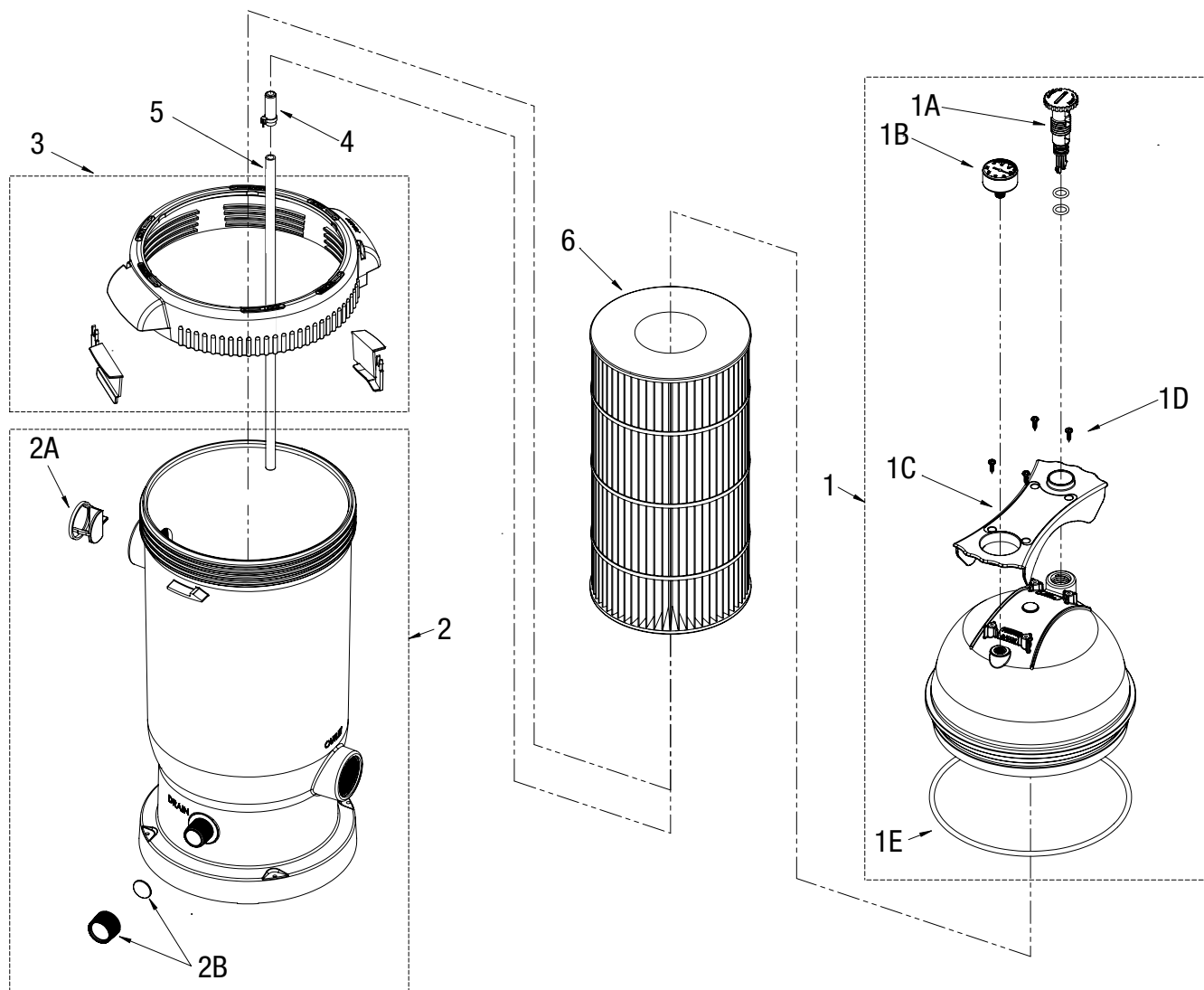
5. El agua de la piscina está sucia:

- A. Residuo de cloro muy bajo; mantenga el residuo de cloro apropiado (consulte con un experto en piscinas para que lo asista).
- B. El cartucho del filtro está desgarrado, obturado o perforado; reemplace el cartucho.
- C. El agua de la piscina contiene hierro; consulte a un experto en piscinas.
- D. Aplicación excesiva o incorrecta de tabletas de cloro en polvo usando un aglomerante. Consulte a un experto en piscinas.
- E. Algas en la piscina. Aplique una dosis alta de cloro o algicida según la recomendación del fabricante de la piscina.
- F. Reemplace el cartucho.

6. El limpiador de la piscina deja de funcionar:

- A. Limpie el filtro y observe el funcionamiento del limpiador de piscinas.
- B. Si el limpiador de piscinas funciona mejor después de limpiar el filtro, limpie el filtro con más frecuencia (es decir, limpie el filtro cuando el aumento de presión sea menor que 10 libras/pulgada²).

REFACCIONES PARA LA REPARACIÓN PROCLEAN PLUS



PIEZAS DE RECAMBIO DEL CARTUCHO DE PROCLEAN PLUS

Ino. de Clave	No. de la Parte	Descripción
1	550-0611	Tapa del Filtro y Asamblea de la Anilla de Cierre – 75 - 100 p.c. (incluye #1A -1E)
	550-0621	Tapa del Filtro y Asamblea de la Anilla de Cierre – 125 - 150 p.c. (incluye #1A - 1E)
	550-0631	Tapa del Filtro y Asamblea de la Anilla de Cierre – 125 - 200 p.c. (incluye #1A - 1E)
1A	600-0220	Válvula del Lanzamiento del Aire con el Anillo O
1B	830-4000SS	Manómetro
1C	519-7631	Mango
1D	819-9002	Tornillos
1E	805-0448	Anillo o de la Tapa
2	550-0601	Cuerpo del Tanque (incluye #2A – 2B)
2A	519-0221	Desviador del Agua
2B	550-0260	Drene el Casquillo con la Asamblea de LaJunta

Ino. de Clave	No. de la Parte	Descripción
3	550-0701	Conjunto de Anillo de Bloqueo
4	500-7310	Rega/Calcetín con Abrazadera
5	872-4000E	Tubo de Corrimiento del Aire – 75 - 100 p.c.
	872-4000L	Tubo de Corrimiento del Aire – 125 - 150 p.c.
	872-4000F	Tubo de Corrimiento del Aire – 175 - 200 p.c.
6	817-0075P	Cartucho de Filtro - 75 p.c.
	817-0100P	Cartucho de Filtro - 100 p.c.
	817-0125P	Cartucho de Filtro - 125 p.c.
	817-0150P	Cartucho de Filtro - 150 p.c.
	817-0175P	Cartucho de Filtro - 175 p.c.
	817-0200P	Cartucho de Filtro - 200 p.c.

GARANTÍA LIMITADA

Waterway Plastics fabrica sus productos y equipos de conformidad con normas de producción muy altas. Utilizamos los mejores materiales disponibles y mantenemos los procedimientos de mayor calidad en práctica de la industria. Respecto a la garantía, el producto debe registrarse al momento de la compra/instalación en www.waterwayplastics.com. Para reclamos o consultas sobre la garantía, comuníquese con el punto de compra.