



Executive – 56- Frame

[Return to Pumps & Bases](#)


Specifications

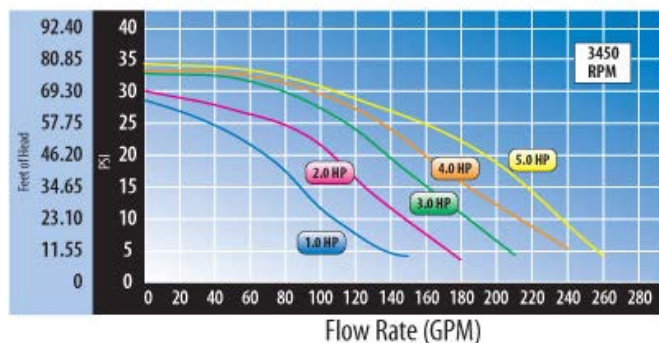
Features

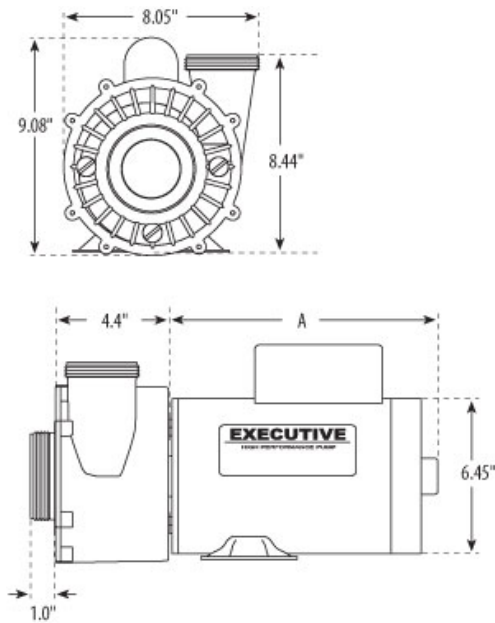
- Executive wet end designed specifically for 56-frame motors
- Two double shielded ball bearings with moisture resistant grease for quieter operation and longer life
- Two speed motors have four sets of insulated windings for increased efficiency
- 56-frame motor for added strength, cooler operating temperature and longer motor life
- Large 2 ½" intake for improved flow performance and reduced noise
- Large 6 ½" diameter wet end for higher head pressure
- Split capacitor, (start and run) for less energy consumption
- Thermally protected to extend life expectancy of motor
- Highly versatile wet end can be rotated every 90°
- Viton seals
- Three year warranty on motor and wet end



Call for available cords and plugs.

PRESSURE VERSUS FLOW RATE





2-Speed Executive 56-Frame Pumps

Part No.	Description	HP	Volts	Amps High Speed	Amps Low Speed	Hz	Dimension "A"	Weight (lbs.)
3720821-1D	2" Intake – 2" Discharge	2	230	8.0	3.0	60	8.875"	34
3720821-13	2 1/2" Intake – 2" Discharge	2	230	8.0	3.0	60	8.875"	34
3721221-1D	2" Intake – 2" Discharge	3	230	10.0	3.4	60	9.875"	37
3721221-13	2 1/2" Intake – 2" Discharge	3	230	10.0	3.4	60	9.875"	37
3721621-1D	2" Intake – 2" Discharge	4	230	12.0	4.4	60	10.375"	44
3721621-13	2 1/2" Intake – 2" Discharge	4	230	12.0	4.4	60	10.375"	44
3722021-1D	2" Intake – 2" Discharge	5	230	16.4	4.8	60	10.375"	47
3722021-13	2 1/2" Intake – 2" Discharge	5	230	16.4	4.8	60	10.375"	46

1-Speed Executive 56-Frame Pumps

Part No.	Description	HP	Volts	Amps	Hz	Dimension "A"	Weight (lbs.)
3710821-1D	2" Intake – 2" Discharge	2	230	8.0	60	8.875"	34
3710821-13	2 1/2" Intake – 2" Discharge	2	230	8.0	60	8.875"	34
3711221-1D	2" Intake – 2" Discharge	3	230	10.0	60	9.875"	34
3711221-13	2 1/2" Intake – 2" Discharge	3	230	10.0	60	9.875"	34
3711621-1D	2" Intake – 2" Discharge	4	230	12.0	60	10.375"	41
3711621-13	2 1/2" Intake – 2" Discharge	4	230	12.0	60	10.375"	40
3712021-1D	2" Intake – 2" Discharge	5	230	16.4	60	10.375"	45
3712021-13	2 1/2" Intake – 2" Discharge	5	230	16.4	60	10.375"	45

Products

Pool

Air Systems
Chlorinators
Drains & Suctions
Filters & Filter Systems
Gunitite Jets

Hose & Tubing
Pumps
Skimmers & Skim Filters
Unions
Valves

Wet Ends & Bases
White Goods

Hot Tub

Spa Packs
Air Controls
Air Injectors & Blowers
Drains & Suctions
Ells/Tees/Wyes
Filters & Skimmers

Hose & Tubing
Jets
Lighting
Manifolds
Pumps & Bases

Slice & Gate Valves
Speakers
Top Side Valves
Unions
Water Features