

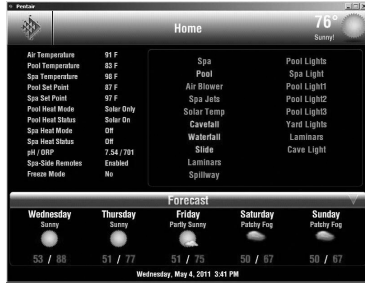
Automation (Control Systems)

Automation (Control Systems)
for Pools and Spas



ScreenLogic2™ Interface

For IntelliTouch® and EasyTouch® Automation Systems



PC



iPhone



iPad

Featured Highlights

- Use Apple iPad®, iPhone® or iPod touch® to control pool functions from anywhere.
- Remotely manage from a PC or a Mac® using the ScreenLogic2 PC or Mac app.
- Easily change, track and monitor history of pH and ORP levels when using the new IntelliChem™ chemical control system with IntelliTouch® or EasyTouch®.
- ScreenLogic2 app now allows full color lighting control for both IntelliBrite® LED pool/spa/landscape lights and MagicStream® laminars.
- All ScreenLogic2 kits come with a protocol adapter and ScreenLogic2 PC program on CD.

ScreenLogic2 Interface allows you to control the key functions of your pool and spa using the IntelliTouch and EasyTouch control systems, using multi-functional controllers such as an in-wall touch screen, iPad, iPhone, iPod touch and PC and Mac computers.

Ordering Information

Product	Description
SCREENLOGIC CONTROL SYSTEMS	
520500	iPhone/iPad/iPod touch/PC and Mac Interface Kit*
520502	7" Wall Color Touch Screen Kit*
520503	8.4" Wireless Digital Tablet Kit*
520639	ScreenLogic Wireless Connection Kit – Includes two radio transmitters that eliminate the need to run cable from the Load Center into the home where the protocol adapter and wireless router are located.
520854Z	ScreenLogic Video and Lighting Protocol Adapter – This advanced Protocol adapter compliments the standard protocol adapter that ships with the ScreenLogic Kits 520500, 520502, and 520503. This protocol adapter adds Panasonic video camera support (up to 4 sold separately) and UPB lighting support (sold separately).

Note: The above ScreenLogic Kits require a 4-wire, 22 gauge wiring connection from the IntelliTouch or EasyTouch Load Center COM port to the protocol adapter within the home. The ScreenLogic Wireless Connection Kit (P/N 520639) can be used to eliminate the need to run this wire where impossible or impractical to do so.

* All ScreenLogic2 kits come with a protocol adapter and ScreenLogic2 PC program on CD.

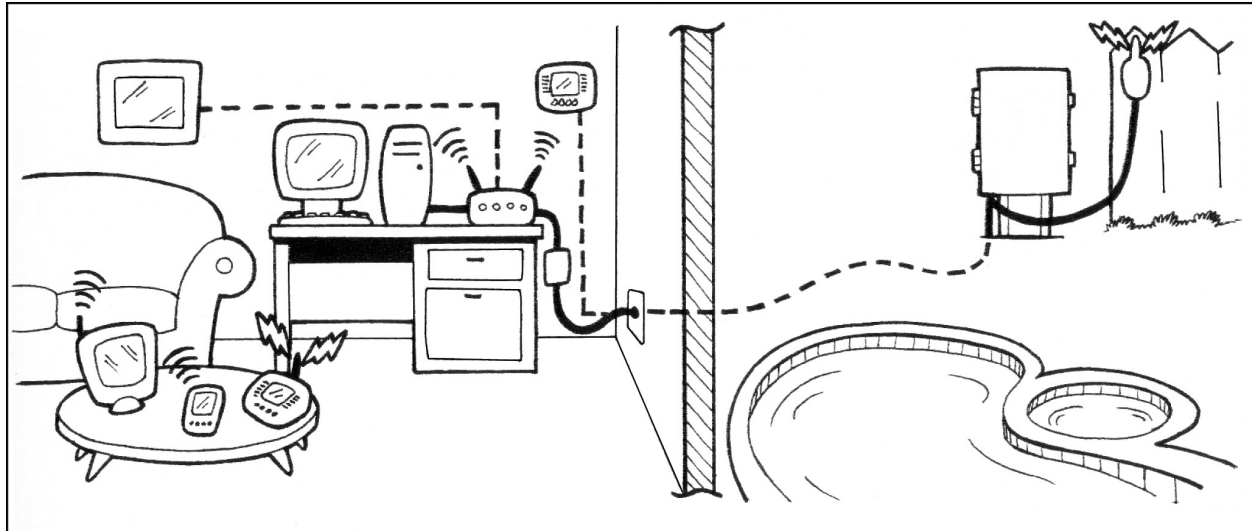
Apple®, iPad®, iPod touch®, and Mac® are registered trademarks of Apple Inc.

ScreenLogic2™ Interface (Cont'd)

ScreenLogic2 Connection Diagram

The ScreenLogic2 interface allows EasyTouch and IntelliTouch users to control the key functions of their pool and spa using an in-wall touch screen, iPad, iPhone, iPod touch and PC and Mac computers.

ScreenLogic2 is easy to setup. You simply run a communication wire from your IntelliTouch or EasyTouch system into your home where your ScreenLogic protocol adapter is installed (typically next to your cable or DSL modem). A wireless connection kit is also available (PN 520639) to eliminate the need to run cable where impossible or impractical to do so.



Personal Computer - A PC or Laptop. Connects to a wireless router and the ScreenLogic2 Protocol adapter for control of IntelliTouch and EasyTouch pool/spa systems. Requires a PC/Laptop (Windows 7, Vista or XP or later) with Ethernet/RJ45 adapter installed.

iPad®, iPod touch® or iPhone® - Enables you to control your pool and spa features using the ScreenLogic2 interface.

In-Wall Touch Screen - A color display with Ethernet (RJ45) connector. Connects to the provided wireless router and Protocol adapter via Ethernet (RJ45) for control of IntelliTouch pool and spa systems.

Wireless Tablet - This control panel consists of a color touch screen. Receives and transmits commands via wireless router and Protocol adapter for control of IntelliTouch pool/spa systems.

Indoor Control Panel - This control panel for IntelliTouch and EasyTouch systems, consists of a backlit LCD and connects into the Load Center for control of IntelliTouch or EasyTouch pool and spa systems.

MobileTouch® or EasyTouch Wireless Remote - This wireless control panel has a backlit LCD. Receives and transmits commands via the Transceiver antenna located at the Load Center.

Wireless Router - Connects to the PC or Laptop via Ethernet connection to the Protocol adapter.

Protocol Adapter - Connects to wireless router via Ethernet connection and to Personality board (Load/Power Center) via a four-wire 22-AWG cable.

IntelliTouch or EasyTouch Load Center or Power Center - The main control center, located at the equipment pad controls pump, heater, and light relays. It receives commands via Protocol adapter, and wireless and wired control panels connected to the Personality board.

MobileTouch and EasyTouch Transceiver Antenna - This antenna sends and receives commands to and from the MobileTouch control panel.

IntelliTouch® Systems

...advanced automation systems for pool and spa



Featured Highlights

- ThermalFlo™ Heat Pump Cooling Support
- SpaCommand Spa-side control of IntelliFlo® pump.
- MagicStream® Laminar support
- IntelliChem™ controller support

IntelliTouch® automation offers superior control systems from small to the most ambitious pool and spa designs including water features and spectacular lighting effects. IntelliTouch automation systems offer innovative technology and a wide range of wireless and wired control panels that are easy to program with simple menus to enable pool owners to create and change programs without complication. Users can choose the Wi-Fi enabled Tablet, iPhone®, iPod®, iPod touch® or the MobileTouch® wireless (900MHz) control panel to complete their pool and spa automation system.

IntelliTouch offers advanced control technology to suite individual needs including:

- **ScreenLogic® User Interfaces** – Enables IntelliTouch users to control their pool and spa features using wireless color touch screen devices including iPhone, iPod, iPod touch and Tablets. ScreenLogic systems now have advanced features such as remote monitoring and control over the internet and email alerts for specific events. Other wired interface options are also available to control pool and spa features via a desktop or laptop PC from within the home or on the road.
- **Salt Chlorine Feature** – Enables IntelliTouch users to control and monitor popular Salt Chlorine Generators including Pentair Water Pool and Spa's ("Pentair") IntelliChlor®, Goldline®, AutoPilot®, and AutoClear® from the IntelliTouch Indoor Control Panel or MobileTouch® wireless control panel. Users do not have to adjust the salt chlorine generator at the equipment pad.
- **Support for IntelliFlo® pumps** – IntelliFlo® is the intelligent swimming pool pump that is changing all the rules. Adaptable to any application up 230 volts and 160 gallons per minute, you simply program IntelliFlo's speed to suit the application. IntelliFlo then dials in the perfect power factor. IntelliFlo constantly monitors water flow and electrical current, making sure that the filtration system is operating at peak efficiency. And that means energy savings never before possible – up to 90% over conventional pumps.
- **Advanced Color Lighting** – Enables users to experience a world of lighting animation when teamed up with IntelliBrite® color lights. One of the most dramatic innovations is the Swimming Colors feature in which colors appear to swim through the water, pouring into one another.

Technical Note: Lights must be connected to separate Auxiliary Circuits for Swimming Colors to function.

IntelliTouch systems offer the flexibility to handle from 5 to 40 circuits that can be used to control any combination of pumps, lights, water features, etc. As an added benefit, user-configurable circuits (Feature Circuits) can also be used to control these combinations of features and more. Feature Circuits even add Macro possibilities, where any number of circuits can be combined on a single button. This gives the pool owner the ability to set up "themes" with custom names all with one press of a single button.

IntelliTouch users can also dim any high voltage incandescent light such as Pentair Amerlite® and SpaBrite® up to eight levels using the IntelliTouch Dimmer Module (P/N 520406). The dimmer module supports multiple lights from 100 watts up to 1,000 watts and installs in a standard relay location. Any number of dimmers (up to 10 maximum) may be used with a maximum combined load of 4,000W in a single Load Center.

IntelliTouch® Enclosure Kits

Ordering an IntelliTouch System – Step 1:



Featured Highlights

- Load Center – Includes built-in sub panel (150 AMPS) breaker base capable of holding up to ten 1 inch breakers. Also includes five 25 AMP 3 HP relays, 120V/240V transformer with secondary side circuit protection. Multiple knockouts for 1/2 inch to 1-1/4 inch conduit are supplied as well as a GFCI receptacle side knock out. The Load Center provides ample space for all high and low voltage wiring needs.
- Power Center – Offers a smaller footprint than the Load Center. The Power Center does not include a circuit breaker base. Users should choose this enclosure if they already have existing circuit breakers/sub-panel for their equipment.



Power Center



Load Center

New for 2011 – Pentair has a new Load center and Power Center that features more space for wiring, space for 10 breakers, more knockouts, 150 Amps limit and, for added convenience, IntelliTouch enclosures can now be ordered with the IntelliChlor transformer integrated so a separate power center is no longer required.

Ordering Information

Product	Description	3 HP Relays Std. / Max.	Number of Circuit Breaker Spaces	Transformer Voltage	Size
INTELLITOUCH ENCLOSURE KITS WITH INTELLICHLOR TRANSFORMER					
521213	Load Center	5 / 10	10	115V / 230V	26 in. H x 17 in. W x 5-1/4 in. D
521214	Power Center	5 / 10	None	115V / 230V	20 in. H x 17 in. W x 5-1/4 in. D
INTELLITOUCH ENCLOSURE KITS WITHOUT INTELLICHLOR TRANSFORMER					
521215	Load Center	5 / 10	10	115V / 230V	26 in. H x 17 in. W x 5-1/4 in. D
521216	Power Center	5 / 10	None	115V / 230V	20 in. H x 17 in. W x 5-1/4 in. D

IntelliTouch® Personality Kits

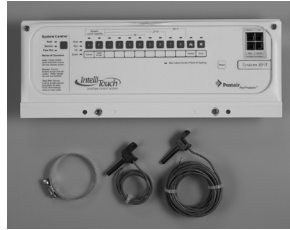
Ordering an IntelliTouch System – Step 2:



i5+3S Personality Kit
(for single body of water)



i9+3 Personality Kit
(shared equipment)



Featured Highlights

- **Shared Equipment:** Pool and spa combinations with shared filtration system – Pool owners can enjoy the convenience of motorized valves for water flow separation between pool and spa
- **Dual Equipment:** Pool and Spa Dual Sets of Equipment – The IntelliTouch® i10+3D system provides advanced automation for a pool and spa using two separate sets of equipment. The IntelliTouch Personality Kit controls ten pump and/or lighting circuits and two heaters.
- **Single Equipment:** Pool Only or Spa Only Applications – The IntelliTouch i5+3S and i9+3S provide advanced automation for a single body of water

There are six Personality Kit models available for various pool and spa combinations. Each Personality Kit provides complete pool and spa controls that are fully programmable. Every circuit has a countdown timer, ability to do one-time-use programs, salt generation interface for popular salt chlorinators, spectacular colored pool/spa lighting effects, along with solar control capabilities. In addition, there are various options available including light dimming, smart home interface, spa-side remote switches, valve actuators for water flow control, additional indoor wired or wireless user interface control panels, and even telephone remote control.

Ordering Information

Product	Model Number	High Voltage Circuits	3 HP Relays Kit / Total *	Feature Circuits	Valve Actuators Std. / Opt. / w/Valve Expansion Module**
POOL/SPA – SHARED EQUIPMENT					
<i>Pump, Filter & Heater shared between Pool and Spa by two automated 3-Way Valves.</i>					
521219	i5+3	Filter + 4 Aux	0 / 5	10	2 / 4 / 7
521220	i7+3	Filter + 6 Aux	2 / 7	10	2 / 4 / 7
521221	i9+3	Filter + 8 Aux	4 / 9	10	2 / 4 / 7
POOL/SPA – DUAL EQUIPMENT					
<i>Two Pumps, Two Filters & Two Heaters for separate Pool and Spa.</i>					
521222	i10+3D	2 Filters + 8 Aux	5 / 10	10	0 / 2 / 5
POOL OR SPA – SINGLE BODY OF WATER					
<i>Pump, Filter & Heater for an individual Pool or Spa.</i>					
521223	i5+3S	Filter + 4 Aux	0 / 5	10	0 / 2 / 5
521224	i9+3S	Filter + 8 Aux	4 / 9	10	0 / 2 / 5
EXPANSION KITS					
521225	i5X Expansion Kit		0 / 5	0	0 / 2 / 5
521226	i10X Expansion Kit		5 / 10	0	0 / 2 / 5

* Load Center or Power Center, purchased separately, includes five 3 HP relays.

** Valve expansion module adds three additional valves to be used (P/N 520285)

Note: i5 and i5S are now i5+3 and i5+3S.

Note: Valve actuators now come with 25 ft. cables for wiring convenience.

See page 332 for replacement parts.

IntelliTouch® Interface Kits

Ordering an IntelliTouch System – Step 3:



One or more of the following Standard or ScreenLogic2™ Interface Kits can be used with IntelliTouch Personality Kits. For example, iPhone, iPad, iPod touch, Tablets, or Indoor Control Panels can be mixed or matched throughout the home. ScreenLogic systems now have advanced features such as remote monitoring and control over the internet and email alerts for specific events. The Interface options include:

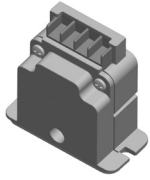
Ordering Information

Product	Description
STANDARD INTERFACES	
520138	Indoor Control Panel – 3-3/4 in. monochrome backlit LCD. Wired to the Load or Power Center.
520906	MobileTouch® – Wireless control panel with transceiver. 3-3/4 in. monochrome backlit LCD.
SCREENLOGIC2 INTERFACES	
520500	NEW: iPhone/ iPad/iPod Touch Interface Kit – Includes a Protocol Adapter and wireless router. Allows control of IntelliTouch pool/spa systems via local wifi signal or remotely via cellular network. Also includes ScreenLogic Connect CD for use on up to four windows computers.
520502	iTC35 Kit – Includes in-wall color touch screen with Ethernet (RJ45) connection a Protocol adapter and wireless router. The Touch screen device is custom configured for IntelliTouch systems.
520503	iTC45 Kit – Includes wireless Tablet with color touch screen, a Protocol Adapter, and wireless router. The Tablet device is custom configured for IntelliTouch systems.
SCREENLOGIC2 ACCESSORIES	
520639	ScreenLogic Wireless Connection Kit – Includes two radio transmitters that eliminate the need to run cable from the Load Center into the home where the protocol adapter and wireless router are located.
520854Z	ScreenLogic Video and Lighting Protocol Adapter – This advanced Protocol adapter compliments the standard protocol adapter that ships with the ScreenLogic Kits 520500, 520502, and 520503. This protocol adapter adds Panasonic video camera support (up to 4 sold separately) and UPB lighting support (sold separately).

Note: The above ScreenLogic Kits require a 4-wire, 22 gauge wiring connection from the IntelliTouch Load Center to the protocol adapter within the home. The ScreenLogic Wireless Connection Kit (P/N 520639) can be used to eliminate the need to run this wire where impossible or impractical to do so.

Note: Call for availability and pricing on all IntelliTouch ScreenLogic models. In-wall and Tablet color touch screen size may vary. Specifications are subject to change.

IntelliTouch® Accessories



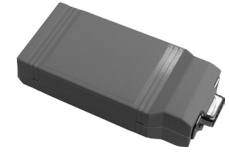
IntelliTouch Dimmer Module



Load Center



QuickTouch® II Remote



i-Link Home Automation Adapter

SpaCommand Spa-Side Remote
(also available in white)Outdoor Control Panel
(installs in the Load or Power Center)

Ordering Information

Product	Description
INTELLITOUCH ACCESSORIES	
520442	i-Link Home Automation Adapter Interface for IntelliTouch® – Enables homeowners using Home Automation systems such as Elan®, Crestron®, AMX®, Vantage™, Lutron®, Control 4 and others to control IntelliTouch basic features via their Home Automation control interface. Call for other Home Automation system compatibility.
520406	IntelliTouch Dimmer Module – Enables users to dim their Amerlite® and SpaBrite® lights up to eight levels (30% to 100%). Each dimmer module supports multiple lights from 100 watts up to 1,000 watts combined load using 120VAC (220VAC not supported). For example, a 500W and 100W Amerlite (total 600W) could be used with one dimmer module. Installs in a standard relay location. Any number of dimmers (up to 10 maximum) may be used with a maximum combined load of 4,000W. Note: Expansion Center Kit(s) may be required to house multiple dimmer modules (models i5x (P/N 521225) or i10x (P/N 521226). The IntelliTouch Dimmer Module is only designed to be used with pool and spa lights and not backyard lighting systems.
521209	QuickTouch II Remote – Four-function wireless remote for pool and spa functions. Operated within 250 feet range of the Load or Power Center.
520403	Dual Heater Kit – This kit is for use with IntelliTouch systems and enables homeowners to utilize a gas heater and heat pump. The IntelliTouch system determines which heat source is appropriate given the conditions. This kit disables any solar heating controls. The kit includes a heater relay and temperature sensor.
SPACOMMAND TEN-FUNCTION SPA-SIDE REMOTE	
521178	SpaCommand, White with 150 ft. cable
521176	SpaCommand, Black with 150 ft. cable
521179	SpaCommand, White with 250 ft. cable
521177	SpaCommand, Black with 250 ft. cable
521180	Mudbox Accessory for recessing SpaCommand into deck or tile. Includes cover plate.

Product	Description
ACCESSORIES FOR INTELLITOUCH SYSTEMS	
520199	1000 ft. cable, four conductor, 22 AWG
520106	3HP Relay for IntelliTouch
RCS1	Additional Spa Jets Switch (for multiple jet pumps)
ESO3	Emergency Shut-Off Switch w/Audible Alarm
520138	Indoor Control Panel for IntelliTouch® (White), additional
520499*	Tablet, Acc iTC45. Additional interface option.
520498*	Panel Touch, Acc iTC35. Additional interface option.
520497*	PDA, Acc iTC25. Additional interface option.
520967	Light Direct Connect Kit (eliminates need for j-box)

Product	Description
ACCESSORIES FOR INTELLITOUCH SYSTEMS	
6870002	Telephone remote control for any single circuit, usually Spa mode.
520272	Temperature Sensor
520198	Two-Speed 3HP Relay
263045	Valve Actuator
520285	Valve module for adding up to 3 valve actuators
520818	Com Port Expansion Module
AI101	Surge Suppressor for 115V transformer wiring
AI201	Surge Suppressor for 230V transformer wiring

Note: (*) Requires purchase of an IntelliTouch® ScreenLogic™ iTC Kit, (iTC15, iTC25 or iTC35, iTC45), see page 25.

Elan® is a registered trademark of Elan Home Systems, Inc.
 Crestron® is a registered trademark of Crestron Electronics, Inc.
 AMX® is a registered trademark of AMX LLC.

Vantage™ is a trademark of Legrand Home Systems, Inc.
 Lutron® is a registered trademark of Lutron Electronics.

IntelliTouch® Accessories (Cont'd)



Featured Highlights

- MobileTouch® Wireless Remote Accessory – Allows any IntelliTouch® system to have a wireless remote with all capabilities of the indoor control panel. With an average range of 500 feet, pool owners have system control anywhere around the home or yard. Installation is simple, and requires no high voltage wiring. Powered by a replaceable rechargeable lithium-ion battery. Includes an AC/DC adapter for recharging. Water resistant, wireless user interface control panel with high-resolution 3-3/4 in. monochrome backlit LCD. Rechargeable lithium-ion battery. Easy to use control buttons with customizing feature for naming circuits.
- iS4 Four-Function Spa-side Remote – Provides control of any four functions, such as pool, spa, auxiliary circuits (AUX 1-8), Feature Circuits, Macros, Heater Enable and Heat Boost. Available in White, Black and Gray. Four cable lengths are available:
- Expansion Kits – Models i5X and i10X, offer five or ten additional Auxiliary Circuits for systems i9+3, i9+3S and i10+3D. Each IntelliTouch Expansion Kit requires a Load Center (P/N 521215) or Power Center (P/N 521216). Up to three Expansion Kits and Load or Power Centers may be added to a system, for control of up to 38 Auxiliary Circuits (40 auxiliary circuits for i10+3D).



MobileTouch® Wireless Remote & Cradle



iS4 Remote Control

Ordering Information

Product	Description
MOBILETOUCH WIRELESS REMOTE ACCESSORIES	

520906	MobileTouch wireless Accessory Kit includes wireless remote and transceiver module with antenna.
520907	Additional MobileTouch wireless remote only

Product	Color	Product	Color	Product	Color	Product	Color
iS4 REMOTE WITH 50 FT. CABLE		iS4 REMOTE WITH 100 FT. CABLE		iS4 REMOTE WITH 150 FT. CABLE		iS4 REMOTE WITH 250 FT. CABLE	
520090	White	520092	White	520094	White	520098	White
520091	Grey	520093	Grey	520095	Grey	520099	Grey
520256	Black	520257	Black	520258	Black	520260	Black

Product	Description	3 HP Relays Kit / Total *	Feature Circuits	Valve Actuators Std. / Opt. / w/Module
EXPANSION KITS				
521225	i5X Expansion Kit	0 / 5	0	0 / 2 / 5
521226	i10X Expansion Kit	5 / 10	0	0 / 2 / 5

* Expansion Kit requires Load or Power Center to be purchased separately, which includes five 3HP relays.

IntelliTouch® Sales & Service Tools

Product	Description
INTELLITOUCH SALES AND SERVICE TOOLS	

520396	Service Panel for IntelliTouch® – If access to the Indoor Control Panel is not available, this service panel can be used by service personnel to help setup, customize, or troubleshoot an IntelliTouch system from the control panel at the equipment pad. Includes an attached 6-foot cable for easy connection to the Personality board.
520456	IntelliTouch Indoor Control Panel POP Display – A non-functional Indoor Control Panel. Make sure all of your dealers have plenty of these for their showrooms. Intended for display and product promotion purposes only.
520400	IntelliTouch Laptop Trainer – Perfect for use in dealer showrooms or by sales personnel to demonstrate complete system functionality to prospective customers.
520352	IntelliTouch Demo Unit – Perfect for use in dealer showrooms or by sales personnel to demonstrate IntelliTouch system functionality with Indoor Control Panel interface option to prospective customers. Fully functioning control panel.
520957	Automation Flash Programming Kit
520461	Quick Reference Card – Credit card size reference guide. Includes step-by-step instructions to set a House Address for Indoor and MobileTouch® control panels, iS10 Spa-Side remote, and Expansion Load or Power Center.



IntelliTouch Demo Unit



IntelliTouch Laptop Trainer



IntelliTouch ICP POP Display



IntelliTouch Service Panel



Quick Reference Card

EasyTouch® Control Systems

Pool/Spa Control Systems



EasyTouch System



iPhone®



iPad®



iPod touch®

Featured Highlights

New EasyTouch Features include:

- UltraTemp heat pump integration
- Support for 2 VS or 2 VF Pumps
- Supports 8 Feature circuits
- MagicStream® Laminar support
- IntelliChem™ controller support
- Now works with ScreenLogic2
- IntelliBrite® pool and spa light support
- SpaCommand spa-side remote support and control of IntelliFlo® Pump
- Optional Controllers for added convenience: Indoor Control Panel (for 4 or 8 circuit systems), a Wireless controller (for 4 or 8 circuit systems), a QuickTouch® II 4-function wireless remote, a 4-button spa side remote, and SpaCommand spa-side remote.
- All functions controlled with easy, one-button access from the self-contained load center or optional controllers. No need to memorize operating sequences, open and close valves, or reset time clocks and thermostats.
- Built-in diagnostics include automatic verification of the display, microprocessor, switches, indicators, relay outputs, valve outputs, sensor inputs, and communication ports as well as a diagnostic screen that reports failures for troubleshooting and repair purposes
- Includes 150 amp breaker base with space for ten 1-inch breakers
- UL and cUL approved
- Dimensions: 26 in. H x 17 in. W x 5-1/4 in. D

The EasyTouch® family offers a new level of control for homeowner's looking for an affordable, easy to use pool/spa control system. EasyTouch allows full control of all pool/spa features including advanced features such as colored lighting and IntelliChlor® chlorine generator support. Every EasyTouch system includes an easy to use control panel that is built into the outdoor enclosure. This control panel allows for full system setup, programmability, and everyday operation. In addition, there are several other available remote interface choices. The EasyTouch systems come in a variety of configurations: Pool only or Spa only, Pool/Spa with shared equipment, and also integrated with Pentair Water Pool and Spa's IntelliChlor salt chlorine generator.

Ordering Information

Product	Model
EASYTOUCH SYSTEMS WITHOUT INTELLICHLOR TRANSFORMER BUILT-IN	
520591	EasyTouch 4P – Single Body (base system - no ICP, no actuators)
520703	EasyTouch 8P – Single Body (base system - no ICP, no actuators)
520538	EasyTouch 4 – Pool/Spa (base system - no ICP, 2 actuators)
520540	EasyTouch 8 – Pool/Spa (base system - no ICP, 2 actuators)
EASYTOUCH SYSTEMS WITH INTELLICHLOR TRANSFORMER AND INTELLICHLOR CELL	
520592	EasyTouch 4PSC-IC20 – Single Body (includes SCG integration & IC20 cell)
520593	EasyTouch 4PSC-IC40 – Single Body (includes SCG integration & IC40 cell)
520704	EasyTouch 8PSC-IC20 – Single Body (includes SCG integration & IC20 cell)
520705	EasyTouch 8PSC-IC40 – Single Body (includes SCG integration & IC40 cell)
520542	EasyTouch 4SC-IC20 – Pool/Spa (includes SCG integration & IC20 cell, 2 actuators)
520543	EasyTouch 4SC-IC40 – Pool/Spa (includes SCG integration & IC40 cell, 2 actuators)
520544	EasyTouch 8SC-IC20 – Pool/Spa (includes SCG integration & IC20 cell, 2 actuators)
520545	EasyTouch 8SC-IC40 – Pool/Spa (includes SCG integration & IC40 cell, 2 actuators)
521150	EasyTouch 8SC-IC60 – Pool/Spa (includes SCG integration & IC60 cell, 2 actuators)
CANADIAN EASYTOUCH SYSTEMS	
520914	EasyTouch 4P-C – Single Body (salt ready system, cell must be ordered separately)
520915	EasyTouch 8-C – Pool/Spa (salt ready system, cell must be ordered separately)
520911	IntelliChlor IC20 cell for Canada
520912	IntelliChlor IC40 cell for Canada

See page 333 for replacement parts.

EasyTouch® Accessories

Pool/Spa Control Systems



Product	Description	Product	Description
ACCESSORIES FOR EASYTOUCH® SYSTEMS			
520500	iPhone/iPad/iPod touch/PC and Mac Interface Kit*	520092	iS4 Spa-side Remote, White 100 ft.
520502	7" Wall Color Touch Screen Kit*	521209	QuickTouch II Wireless Remote Kit for 4 circuit systems
520503	8.4" Wireless Digital Tablet Kit*	AI101	Surge Suppressor for 115V transformer wiring
520639	ScreenLogic Wireless Connection Kit – Includes two radio transmitters that eliminate the need to run cable from the Load Center into the home where the protocol adapter and wireless router are located.	AI201	Surge Suppressor for 230V transformer wiring
520199	1000 ft. COM cable, four conductor, 22 AWG	520272	Temperature Sensor
520106	3HP Relay for IntelliTouch	520198	Two-Speed 3HP Relay
520548	EasyTouch® ICP (Indoor Control Panel) for 4 circuit systems	263045	Valve Actuator
520549	EasyTouch ICP (Indoor Control Panel) for 8 circuit systems	520818	COM Port Expansion Module with 1 ft. cable
520546	EasyTouch Wireless Controller Kit for 4 circuit system, including transceiver	RCS1	Additional Spa Jets Switch (for multiple jet pumps)
520547	EasyTouch Wireless Controller Kit for 8 circuit system, including transceiver	ESO3	Emergency Shut-Off Switch w/Audible Alarm
520588	IntelliChlor® Pass-through Cell for Winter or start-up	520967	Light Direct Connect Kit (eliminates need for j-box)
520594	IntelliChlor Diagnostic Wand	521178	SpaCommand, White with 150 ft. cable
520670	IntelliChlor Acid Cleaning Kit	521176	SpaCommand, Black with 150 ft. cable
520595	IntelliChlor replacement unions (contains 2 o-rings, 2 couplers, 2 nuts)	521179	SpaCommand, White with 250 ft. cable
520670	IntelliChlor acid washing kit (contains closed end union cap, o-ring, & coupling nut)	521177	SpaCommand, Black with 250 ft. cable
520734	IntelliChlor 15 foot extension power cord	521180	SpaCommand Mudbox Accessory
520736	IntelliChlor Flow Switch replacement kit		



521209 - QuickTouch® II Wireless Remote Kit



520818 - COM Port Expansion Module



520092 - iS4 Remote Control



520548 - EasyTouch ICP for 4 circuit systems
 520549 - EasyTouch ICP for 8 circuit systems
 520546 - EasyTouch wireless for 4 circuit systems
 520547 - EasyTouch wireless for 8 circuit systems



520554 - IntelliChlor IC20 Cell
 520555 - IntelliChlor IC40 Cell
 521105 - IntelliChlor IC60 Cell



SpaCommand - Various

* All ScreenLogic2 kits come with a protocol adapter and ScreenLogic2 PC program on CD.

See page 333 for replacement parts.

Compool® to EasyTouch® Upgrade



* Requires Compool to EasyTouch Upgrade System with New System Transformer Kit (P/N 521247).

** Requires v2.100 firmware or higher.

Featured Highlights

- Now works with ScreenLogic2™
- Allows easy upgrade to EasyTouch® functionality for the following Compool® Systems: CP3400, CP3600, CP3800, CP3810, CP1000*, CP2000*, CP3000, CP30*, CP100*, LX100EZT*, LX100EZTL*, 520348*, 520349*, TimeMaster with LX-10 power center
- Filter pump + 7 Auxiliaries
- AUX Extra Support
- Works with EasyTouch Indoor Control Panel (520549) and EasyTouch Wireless Remote (520547)
- Supports 2 VS or 2 VF IntelliFlo® Pumps, iS4 and SpaCommand spa side remotes, IntelliChlor® Salt Chlorine Generator, IntelliBrite® LED Lights, UltraTemp® Heat Pumps, and MagicStream® Laminar Jets.
- 8 Feature Circuits
- Supports IntelliChem™ pH/ORP Control System**

Ordering Information

Product	Description	Product	Description
COMPOOL TO EASYTOUCH UPGRADE			
521107	Compool to EasyTouch Upgrade without transformer Kit		
521247	Compool to EasyTouch Upgrade with new system transformer Kit		
COMPOOL TO EASYTOUCH UPGRADE ACCESSORIES			
520500	iPhone/iPad/iPod touch/PC and Mac Interface Kit*	263045	Valve Actuator
520502	7" In-Wall Color Touch Screen Kit*	520272	Temperature Sensor (Air/Water/Solar, 20 ft. Cable)
520503	8.4" Wireless Digital Tablet Kit*	520818	COM port expansion Module
520639	ScreenLogic2 Wireless Connection Kit	520554	IntelliChlor IC20 Cell*
520549	EasyTouch Indoor Control Panel (8 circuits)	520555	IntelliChlor IC40 Cell*
520547	EasyTouch Wireless Remote (8 circuits)	521105	IntelliChlor IC60 Cell*
521209	QuickTouch II Wireless Remote (4 circuits)	520556	IntelliChlor Power Center
520092	iS4 Spa-side Remote, White 100 ft.	RLYLXD	Relay Kit for 2 Speed Pumps
521178	SpaCommand, White, 150 ft. cable	RLYLX3HP	Additional 25 Amp, 3 HP Power Relay
521179	SpaCommand, White, 250 ft. cable	521099Z	Compool to EasyTouch Replacement Circuit Board
521176	SpaCommand, Black, 150 ft. cable		
521177	SpaCommand, Black, 250 ft. cable		
521180	Mudbox Accessory		

* Requires the 520556 IntelliChlor Power Center when used with the Compool to EasyTouch System.

SunTouch® Control System



Featured Highlights

- One touch function – no complicated routine to memorize
- Ability to program pool and spa and two additional features. All circuits in the system can control four operating schedules (maximum six total schedules per system)
- Supports 4 feature circuits for programming convenience
- Compatible with gas or electric heaters, heat pumps, and solar systems
- Temperature control can be set in one degree increments
- Supports one IntelliFlo® VS or VF Pump and IntelliChlor® Salt Chlorine Generator



SunTouch® Control System
Pool/Spa - (520820)



SunTouch® Solar Control System
(520819)

SunTouch is the easy way to keep your pool and spa clean, comfortable, and ready to enjoy. With the touch of a few buttons, you can quickly program your pool and spa filtration and heating cycles to fit your schedule. And it's just as simple to change programs or switch to manual mode for those unplanned, spontaneous plunges. With SunTouch, your pump and heater automatically run whenever you want, for as long as you want so your pool and spa are always warm and inviting.

In addition to controlling your pump and heater, the standard SunTouch package has the ability to schedule operation of additional functions, such as your lights or automatic cleaner. You can also add a third valve actuator to automate a solar heating system or water feature.

Ordering Information

Product	Description
SUNTOUCH CONTROL SYSTEMS	
520820	SunTouch Control System (pool/spa) – Includes 2 actuators, 2 temp sensors (20 ft. water, 40 in. air) and 3 relays
520819	SunTouch Solar Control System – Includes 1 actuator, 1 solar valve, and 2 temp sensors (20 ft. water, 40 in. solar)
520859	SunTouch Single Body Control System – Includes temp sensors (20 ft. water, 40 in. air) and 3 relays
520856	SunTouch Solar with 3-way valve – Includes 1 actuator, 3-way valve, and 2 temp sensors (20 ft. water, 40 in. solar)
520857	SunTouch Booster Pump Version – Includes 1 relay, and 2 temp sensors (20 ft. water, 40 in. solar)
ACCESSORIES FOR SUNTOUCH SOLAR CONTROL SYSTEMS	
521209	QuickTouch II Wireless Remote Kit, including transceiver
520106	3HP Relay
520272	Temp Sensor
520198	2 Speed Pump Relay
ES03	Emergency Shut-Off Switch w/Audible Alarm
263045	Valve Actuator with 25 ft. Cable
520967	Light Direct Connect Kit (eliminates need for j-box)

See page 333 for replacement parts.

Remote Control and Monitoring Software

For The Service Pro



Now, working through the Internet, you can remotely monitor system and equipment conditions and diagnose problems. Log-in using the advanced ScreenLogic® interface to make system changes as needed. This option is ideal for any service professional, particularly those with large customer territories. Handle questions or concerns without a site visit and save time and fuel while providing top-notch customer service.

Customer Name	Adapter Version	Model	Firmware	Air Temp	Pool Pump	Pool Set Point	Pool Actual Temp	Pool Heat Mode	Spa Pump	Spa Set Point	Spa Actual Temp	Spa Heat Mode	Spa-Style Remote	Lights On / Total	IntelliFlo Present	Alarms	Salt Level (ppm)	Pool Chlorine Output	Spa Chlorine Output	pH	ORP	Acid Tank Level	Chlorine Tank Level	Water Balance	Status
Jim MacCallum	5.2.601	System i9-3 / IntelliChlor IC40	1.160	88 F	Off	86 F	86 F	Off	Off	94 F	94 F	Off	Enabled	0 / 2	Yes	None	3350	IC	IC	7.42	720	50%	-	-0.43	Connected OK
David MacCallum	5.2.601	System i9-3 / IntelliChlor-60	1.160	89 F	On	87 F	84 F	Solar Only	Off	97 F	79 F	Off	Enabled	0 / 7	Yes	None	3750	IC	IC	7.35	695	66%	-	-0.16	Connected OK
Jan Wright	POOL: 4.0 Build 1499	EasyTouch2	2.090	108 F	On	78 F	88 F	Heater	Off	99 F	-	Heater	Enabled	-	Yes	None	-	-	-	-	-	-	-	-	Connected OK
Joe Smart	POOL: 4.0 Build 1499	System i7-3 / IntelliChlor IC40	1.110	119 F	On	50 F	90 F	Off	Off	102 F	102 F	Heater	Disabled	-	Yes	1	3650	80%	5%	-	-	-	-	-	Connected OK
Kenneth Perry	POOL: 5.2 Build 592	EasyTouch2 8 / IntelliChlor IC40	2.090	109 F	On	77 F	81 F	Off	Off	100 F	-	Off	Disabled	0 / 3	Yes	None	3350	70%	2%	-	-	-	-	-	Connected OK
Dennis Lundberg	POOL: 5.2 Build 601	EasyTouch2 8	2.090	85 F	On	86 F	85 F	Solar Only	Off	96 F	97 F	Heater	Disabled	0 / 2	Yes	2	4300	IC	IC	7.41	669	33%	-	0.05	Connected OK
Michael Smith	POOL: 5.2 Build 601	System i9-3 / IntelliChlor IC40	1.160	85 F	On	82 F	85 F	Off	Off	100 F	101 F	Heater	Disabled	0 / 5	Yes	None	3650	IC	IC	7.60	705	100%	-	0.04	Connected OK
Bill Moore	POOL: 5.2 Build 601	System i9-3 / IntelliChlor IC40	1.160	83 F	On	82 F	82 F	Off	Off	100 F	-	Heater	Disabled	0 / 3	Yes	1	0	IC	IC	7.52	650	50%	0%	-0.24	Connected OK

Computer screen photo shows complete system status for every customer with an IntelliTouch, EasyTouch or SunTouch system. Conditions requiring attention are quickly identified and often corrected from the comfort of your office. Just point and click to turn equipment on and off, or change programs and schedules.

- **Now works with SunTouch®, EasyTouch® and IntelliTouch®** – EasyTouch and IntelliTouch support remote monitoring & control, while SunTouch only supports remote monitoring.
- **Now works with IntelliChem®**
- **Supports ScreenLogic2 - for a complimentary copy, visit our website:**

<http://www.pentairpool.com/pool-owner/resources/downloads/screenlogic2.htm>

Valve Actuator

Valve Control Systems



Featured Highlights

CVA24 Valve Actuator

- Prevents dead-heading of pumps
- Corrosion-proof enclosure
- Includes 25 ft. cable
- Service switch (for flow direction)
- ETL recognized
- UL listed for use with IntelliTouch®
- Operates Compool®, Ortega® or Jandy® Valves
- Compatible with all 24VAC Control Systems



Valve Actuator

Designed for use with 2-port and 3-port valves. Features maximum torque, 24VAC bi-directional motor.

Now comes with 25 ft. Cable for wiring convenience!

Ordering Information

Product	Model	Voltage	Cable	Rotation	Compatibility	Motor
VALVE ACTUATORS						
263043	CVA24L	24 VAC	3-wire 25 ft.	90 deg.	2-port Compool/Ortega/Jandy Valves	Bi-directional
263044	CVA24Y	24 VAC	3-wire 25 ft.	120 deg.	3-port Compool PTV2Y Valve	Bi-directional
263045	CVA24T	24 VAC	3-wire 25 ft.	180 deg.	3-port Compool/Ortega/Jandy Valves	Bi-directional

Jandy® is a registered trademark of Jandy Industries, Inc.

GFCI Circuit Breakers

Featured Highlights

- Added safety of 6 milliamp Personnel Protection
- Meets NEC 2008 Standards for Pool Pumps
- Compatible with IntelliTouch and EasyTouch control systems
- Works in any breaker base approved for use with Siemens QPF style breakers
- Designed to protect personnel exposed to ground faults in AC, DC, and mixed AC/DC systems where levels exceed 6 milliamps



Product	Description	Carton Qty.	Carton Wt (Lbs.)
GFCI CIRCUIT BREAKERS			
PA115GF	1-pole 15 amp GFCI	30	11.50
PA120GF	1-pole 20 amp GFCI	30	11.50
PA215GF	2-pole 15 amp GFC	10	11.50
PA220GF	2-pole 20 amp GFC	10	11.50

LX80 & LX820 Systems

Commercial Pool/Spa Control Systems



LX80

Designed for a commercial pool and spa application. Provides Remote Spa Jets switch (suitable for outdoor locations) with electronic countdown timer (15/30 minutes).

Featured Highlights

LX802 Commercial Pool/Spa Control System

- Emergency Shut-off Switch (disables all pumps)
- Audio Alarm
- Power Center available (with or without circuit breaker sub-panel) at the equipment site, features: mechanical time clocks for the Pool and Spa Filter Pumps, power relays (3) for Pool and Spa Filter Pumps and Spa jet Pump, electronic cool-down cycle for pool and spa heaters and equipment service switches

LX8202 Emergency Shut-off System

- Emergency Shut-off Switch
- Audio Alarm
- Power Center at the equipment site with equipment status lights and power relays (2) for Spa Filter Pump and Jet Booster Pump

Ordering Information

Product	Circuits	Power Relays Std/Max	Circuit Breaker Capacity	Compatible Heaters	Voltage	Relay Amp Inductive
LX80 & LX820 COMMERCIAL POOL/SPA CONTROL SYSTEMS						
LX802	Pool Filter, Spa Filter, Jet1, Jet2	3 / 8	N/A	Gas/Elec/Solar/Heat Pump	115V/230V	20
LX802L	Pool Filter, Spa Filter, Jet1, Jet2	3 / 8	4qty. @ 230V	Gas/Elec/Solar/Heat Pump	115V/230V	20
LX8202	Spa Filter, Jet1, Jet2	2 / 3	N/A	N/A	115V/230V	20



LX802L



LX8202

Designed for retrofitting commercial spas where an emergency shut-off switch is required.

Product	Description
---------	-------------

ACCESSORIES FOR LX80 COMMERCIAL POOL/SPA CONTROL SYSTEM

263045	CVA24 Solar Valve Actuator
MODSOL	Temperature Control Module (for pool or spa). Required for solar control
RCS1	Additional Spa Jets Switch (for multiple jet pumps)
ES03	Emergency Shut-Off Switch w/Audible Alarm
RLYX	Additional Power Relay (for auxiliary equipment)
RLYLX3HP	Additional 25 Amp, 3 HP Power Relay (for auxiliary equipment)
RYALX	Harness to operate 2 Power Relays from one control circuit
TS5L	Solar Temperature Sensor

ACCESSORIES FOR LX8202 COMMERCIAL POOL/SPA CONTROL SYSTEM

RLYSC	Additional Power Relay (for second jet pump or filter pump)
RLYSC3HP	Additional 25 Amp, 3 HP Power Relay (for auxiliary equipment)

IntelliChem™ Chemical Controller



Featured Highlights

- Auto Setup/Configuration wizard makes start-up quick and easy.
- Programmable chemical feed cycle and mix times for precise water balance.
- Assures safe water conditions by preventing excess chemical addition.
- Built-in Langelier Saturation Index calculator lets you know when your water chemistry is perfectly in or out of balance.
- Minimizes chemical costs by adding chemicals with precision.
- Flow sensor ensures chemicals won't feed without system flow.
- Password-protected access prevents tampering or accidental program change.
- Seamless interface with IntelliTouch®, EasyTouch®, SunTouch® and ScreenLogic2™ automation systems for superior chemical management.
- Compatible with IntelliChlor® salt chlorine generators, external dosing pumps, and CO2 systems.



Muriatic Acid Container



Liquid Chlorine Container

The IntelliChem chemical controller automatically monitors pool pH and sanitizing levels and delivers just the right amount of chemicals. IntelliChem can work independently or in conjunction with other Pentair automation products. It's built-in Langelier Saturation Index calculator lets pool owners know when the water is in or out of balance. IntelliChem uses the same technology found in commercial installations, water parks, hotel and community pools.

Ordering Information

Product	Description	Application
INTELLICHEM CHEMICAL CONTROLLER		
521357	IntelliChem with no pumps	For systems using external feed pumps, IntelliChlor, or CO2. Containers ordered separately.
521489	IntelliChem with 1 pump	For systems using IntelliChlor and muriatic acid. Containers ordered separately.
521356	IntelliChem with 1 pump (with acid container)	For systems using IntelliChlor and muriatic acid. Includes 4 gallon acid container.
521355	IntelliChem with 2 pumps	For systems using liquid chlorine and muriatic acid. Containers ordered separately.
521378	Acid Container (4 gallons)	Convenient and innovative container for storing muriatic acid.
521397	Chlorine Container (4 gallons)	Convenient and innovative container for storing liquid chlorine.
714000070	CO2 Kit w/Diffuser, Solenoid, Regulator	Must use with CO2 tanks to lower pH levels.

AcuCheck3™ Electronic Chlorine, pH, and Alkalinity Tester



AcuCheck3 Test Kit

AcuCheck3 is a hand-held electronic water test meter that provides highly accurate pool water chemistry data with digital readings using DPD chemistry. Quick and easy – simply fill and insert a test tube, press a button, and you have a precise chemical reading. No more test strips or frequent trips to the pool store for accurate chemical readings. AcuCheck3 comes with 90 reagent tablets, test tubes, and crushing stick.

Ordering Information

Product	Model	Description
ACUCHECK TEST KIT		
745000110	AcuCheckCA	Acu-Check 3, Instrument Cl, pH, Alk

IntellipH™ pH Controller

Chemical Controller



IntellipH Chemical
Controller



Featured Highlights

- Protects your pool equipment from corrosion when pH swings in and out of balance.
- Acid dispensing rate adjusts with the touch of a button.
- Makes sanitizing more effective by eliminating fluctuations in pH level.
- Pump style lid seals securely assuring safe operation
- Bolts securely to the equipment pad to prevent poolside acid spills.
- Powered by either IntelliChlor® Salt Chlorine Generator Power Center or EasyTouch® or IntelliTouch® system with IntelliChlor support for easy wiring and installation.
- Large 4 gallon reservoir.
- UL and cUL listed.
- One-year limited warranty on electronics and metering pump.

IntellipH is a safe and convenient way to regulate a swimming pool's pH level. It automatically dispenses muriatic acid into the pool to eliminate fluctuations in the pH level. IntellipH is the perfect companion for the IntelliChlor salt chlorine generator and together they help sanitize and balance pool water to keep it sparkling clear.

Ordering Information

Product	Description
521377	IntellipH canister with controller

Acu-Trol® Commercial Chemical Controller

For Commercial Aquatic Facilities



A Pentair Water Commercial Pool and Aquatics™ chemical automation controller by Acu-Trol is the advanced choice for aquatic facilities worldwide. These efficient systems interface seamlessly to protect, monitor, and manage water chemical balance in aquatic environments and infrastructures. The Acu-Trol Chemical Controller is compatible with the commercial IntelliChlor, Rainbow erosion feeder and/or liquid feed pumps.



AT-8

Featured Highlights

- Monitors one body of water.
- Includes flow cell, flow switch, pH and ORP chemical sensors.
- Programmable enabling of proportional feed.
- Programmable set points for the pH and ORP levels.
- Programmable chemical feed cycle.
- Programmable selection of acid or base feed for pH control.
- Calibration of pH, ORP and temperature.
- Flow cell with built-in flow switch and sampling port.

Featured Highlights

- Monitors one body of water.
- 3rd relay can be used to automate second sanitizer.
- pH, ORP, temperature and safety flow switch standard.
- Programmable pH, ORP and temperature set points.
- Programmable chemical feed cycle ON and OFF (MIX) times.
- Programmable proportional feed.
- Programmable acid, base or CO2 feed for pH control.
- Relay configuration shortcuts with Acu-Trol Wizards.
- Flow cell with built-in flow switch, shut-off valves, inlet strainer and sampling port.
- Records up to 30 days of sensor data internally in 1 or 2 hour recording intervals.



AK110

Featured Highlights

- AcuCom Software
- Multiple control for 1, 2, or 3 bodies of water.
- Programmable pH, ORP and temperature set points.
- Programmable proportional fee for precise chemical feed.
- Programmable acid, CO2 or base feed for pH control.
- Relay configuration shortcuts with Acu-Trol Wizards.
- Auto backwash filters for up to two bodies of water.
- Flow cell with built-in flow switch, shut-off valves, inlet strainer and sampling port.
- 16 relays with three (3) voltage configurations.



AK600

Part numbers located on page 40.

For proper controller selection, application assistance, technical support, and pricing, please contact your local Pentair Water Pool and Spa Sales Representative or contact the factory at 800-831-7133.

Acu-Trol® Commercial Chemical Controllers (Cont'd)

For Commercial Aquatic Facilities



Part Number	Product Name	Description
AT-8 CHEMICAL CONTROLLER		
701000550	AT-8	Controller, AT-8, pH, ORP, Temp, FC
AK110 AUTOMATIC WATER CHEMISTRY CONTROLLER		
701000110	AK110PS-A	Controller, AK110, pH, ORP, Temp, FC
AK600 PUMP ROOM CONTROLLER		
701000170	AK600PS-A1	Controller, AK600, 1 Body, pH, ORP, Temp, FC
701000180	AK600PS-A2	Controller, AK600, 2 Body, pH, ORP, Temp, FC
701000190	AK600PS-A3	Controller, AK600, 3 Body, pH, ORP, Temp, FC
TESTING EQUIPMENT		
755000240	Duo Check	Test meter, pH/ORP input output
SENSORS		
744000260	AKpH-FB	Sensor, pH, Blue, BNC, Sensor Only
744000330	AKORP-FB	Sensor, ORP, Red, BNC, Sensor Only
744000390	AKORG-FB	Sensor, ORP, Gold Tip, BNC, Sensor Only
STENNER PUMPS - STENNER 45 SERIES - SINGLE HEAD		
751000470	45M3-1/4B	Pump, Adj. 1/4" Blk tubing 120V 25PSI #3 22GPD
751000540	45M5-1/4B	Pump, Adj. 1/4" Blk tubing 120V 25PSI #5 45GPD
STENNER PUMP AND TANK COMBINATION UNITS		
751002600	ST15G	Storage Tank, Chem, 15 gal, UV Grey
751002610	ST30G	Storage Tank, Chem, 30 gal, UV Grey
751002670	45MP525F15	Pump, 45MP, Fixed #5, 25PSI w/ Tank, 15 Gal, UV Grey
751002690	45MP525F30	Pump 45MP, Fixed #5, 25PSI w/ Tank 30 Gal, UV Grey