

NESPA ENTERPRISES INC.

2800 Richter Ave, Suite C

Oroville, CA 95966

Office: (530) 534-99150 Fax: (530) 534-9915

E-Mail: sales@tiledspas.com www.tiledspas.com

7' ROUND

SPA DETAIL

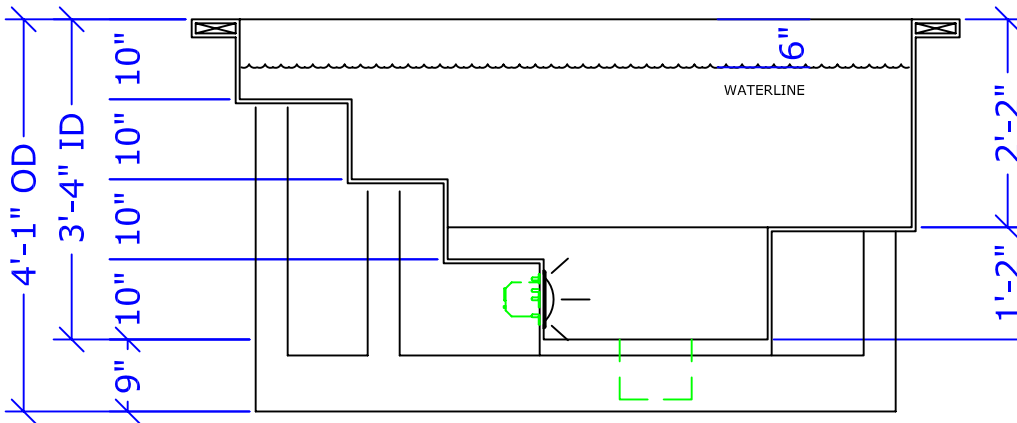
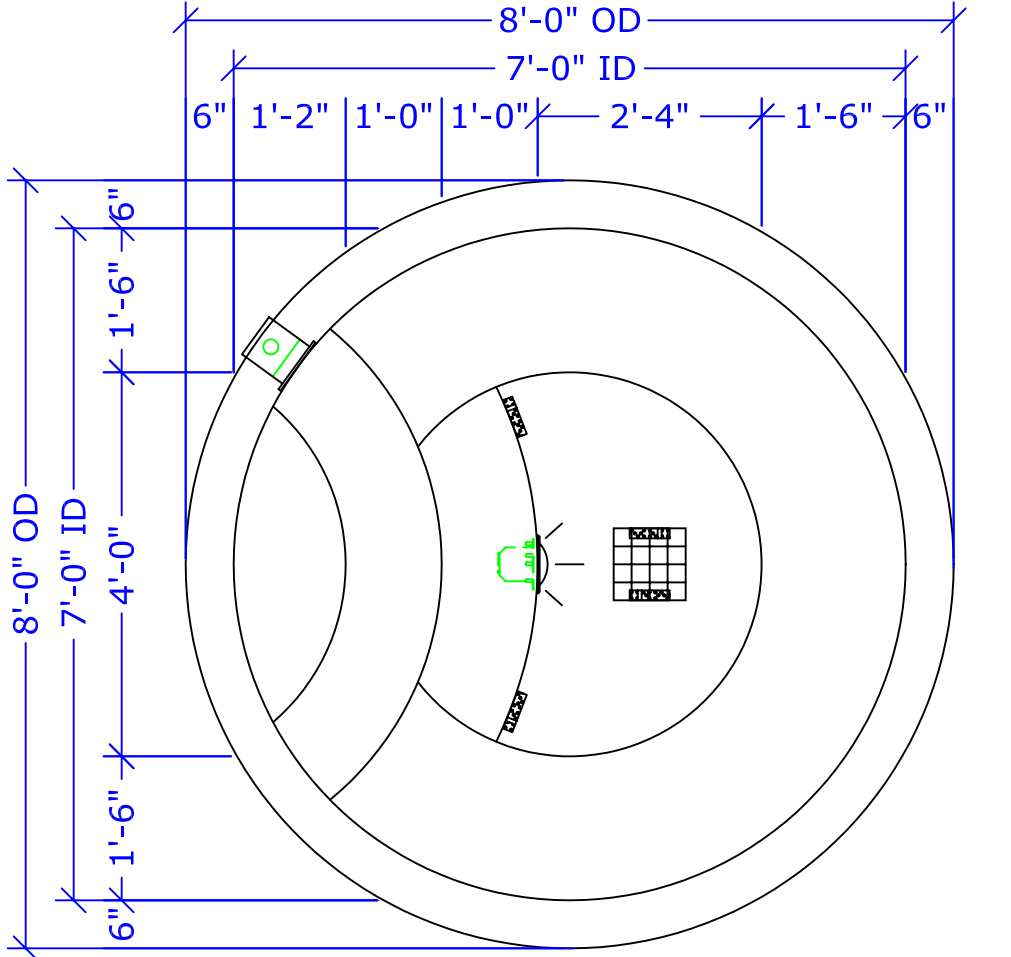
SCALE: 1/2" = 1'-0"

DATE: 10/10/03

JOB: CASSEL

DR#: CSL-SD01

ALL DIMENSIONS SUBJECT TO 1/4" TOLERANCES



NESPA ENTERPRISES INC.

2800 Richter Ave. Suite E

Oroville, CA 95966

Office: (888) 479-4677 Fax: (530) 534-9915

E-Mail: nespa@pacbell.net www.tiledspas.com

JETS

CONFIGURATIONS

ALL DIMENSIONS SUBJECT TO 1/4" TOLERANCES



SCALE: 3/4" = 1'-0"

DATE: 4/04/02

JOB:

DR#: JETCONFIG-1

JETS ARE INTERCHANGABLE

- 1)  TYP HYDROTHERAPY JET, 16 GPM
- 2)  SPINNING HYDRO THERAPY JET, 16 GPM

NOTE:

NO JET SHALL BE CLOSER THAN 8" TO ANY OTHER JET, NOR SHALL ITS CENTER BE CLOSER THAN 3" TO THE WATERLINE

INSTRUCTIONS:
PLACE JET TYPE IN PATTERN BOX AS DESIRED

