

NESPA ENTERPRISES INC.

2800 Richter Ave, Suite C
 Oroville, CA 95966
 Office: (530) 534-9910 Fax: (530) 534-9915
 E-Mail: sales@tiledspas.com www.tiledspas.com

9' ROUND

SPA DETAIL

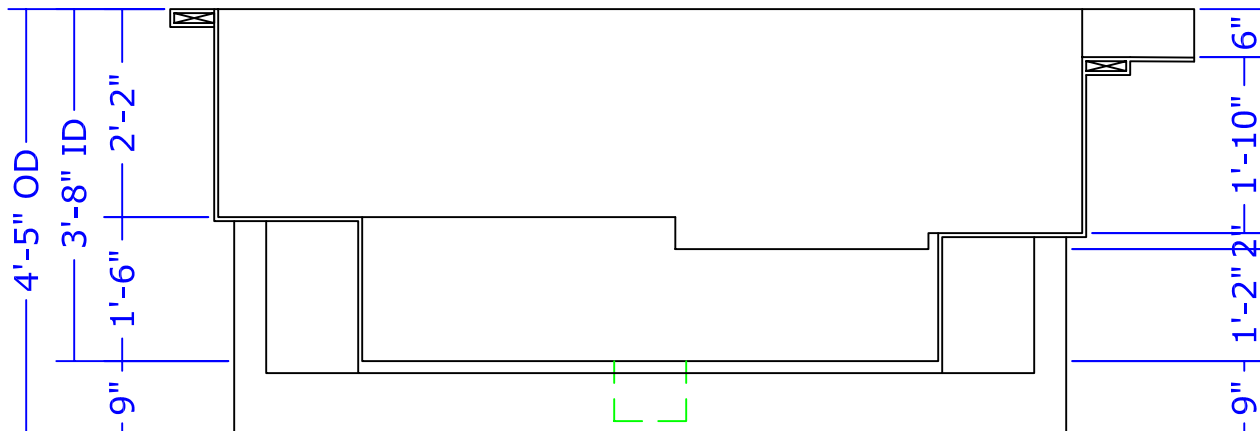
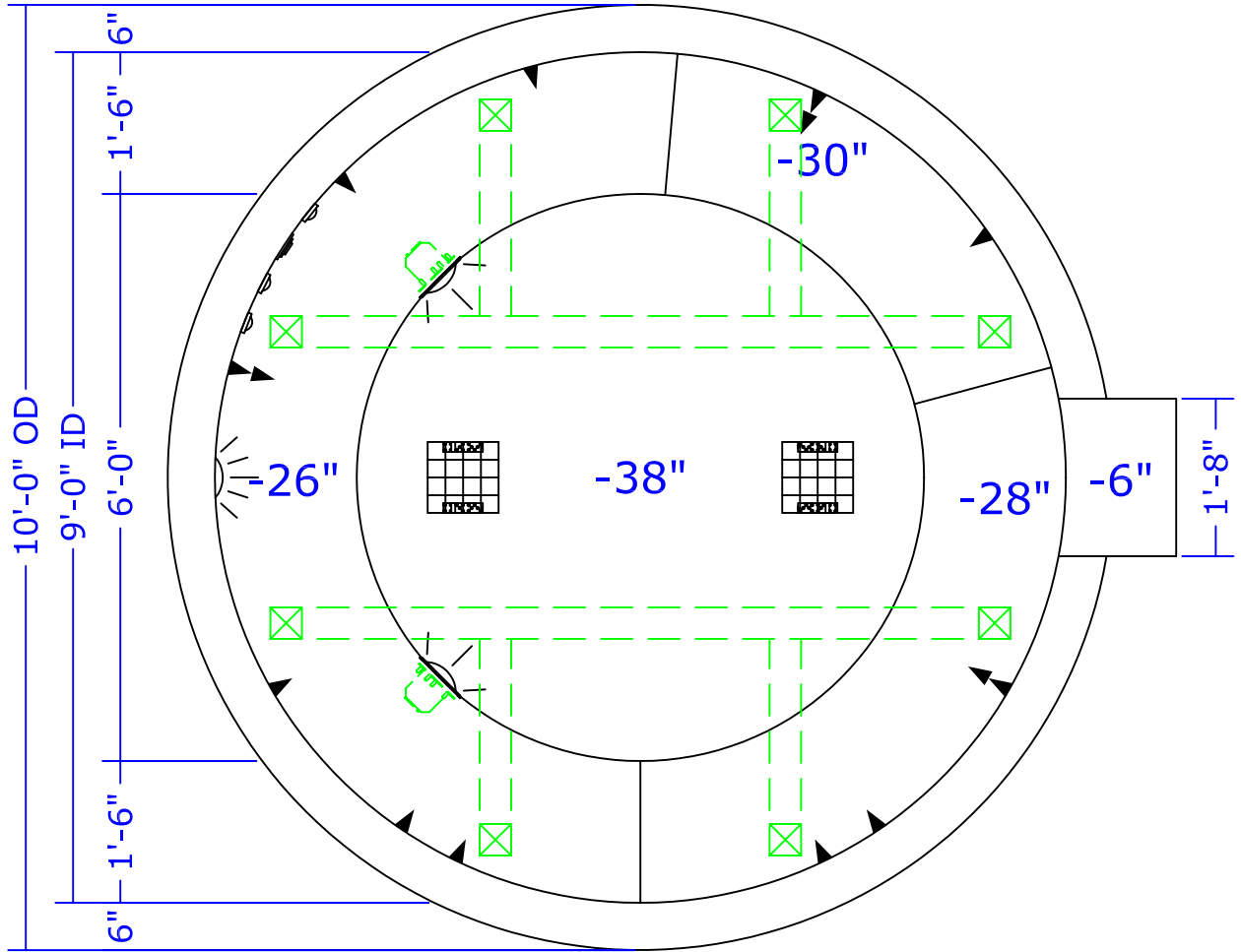
ALL DIMENSIONS SUBJECT TO 1/4" TOLERANCES

SCALE: 1/2" = 1'-0"

DATE: 8/17/04

JOB: CHAFFEE

DR#: CHF-NFR-SD02



NESPA ENTERPRISES INC.

2800 Richter Ave. Suite C
 Oroville, CA 95966
 Office: (530) 534-9910 Fax: (530) 534-9915
 E-Mail: sales@tiledspas.com www.tiledspas.com

CUSTOM

BOOSTER PLUMBING

ALL DIMENSIONS SUBJECT TO 1/4" TOLERANCES

SCALE: 1/2" = 1'-0"

DATE: 8/17/04

JOB: CHAFFEE

DR#: CHF-NFR-PL01

