

NESPA ENTERPRISES INC.

2800 Richter Ave. Suite E

Oroville, CA 95966

Office: (888) 479-4677 Fax: (530) 534-9915

E-Mail: sales@tiledspas.com www.tiledspas.com

CORSICA

EQ LAYOUT

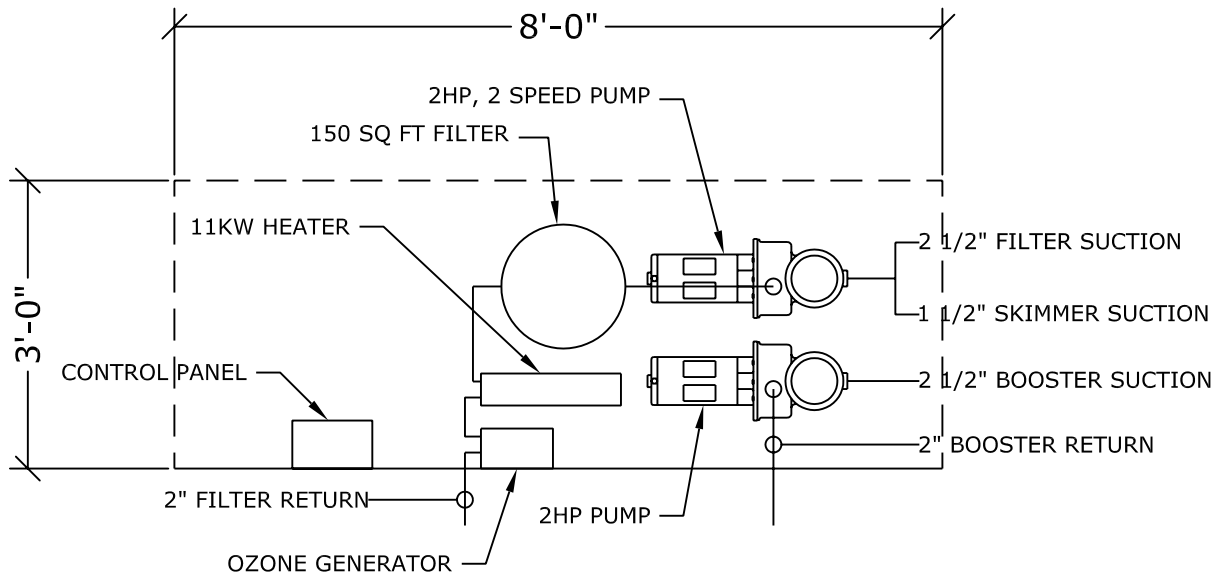
SCALE: 1/2" = 1'-0"

DATE: 3/08/05

JOB: FERGUSON

DR#: CTRB-FRG-EQL01

\*ALL DIMENSIONS SUBJECT TO 1/4" TOLERANCES\*



**NESPA ENTERPRISES INC.**

2800 Richter Ave. Suite C

Oroville, CA 95966

Office: (530) 534-9910 Fax: (530) 534-9915

E-Mail: sales@tiledspas.com www.tiledspas.com

**ELECTRICAL DIAGRAM**

**2 PUMP COMPOOL SYSTEM**

\*ALL DIMENSIONS SUBJECT TO 1/4" TOLERANCES\*

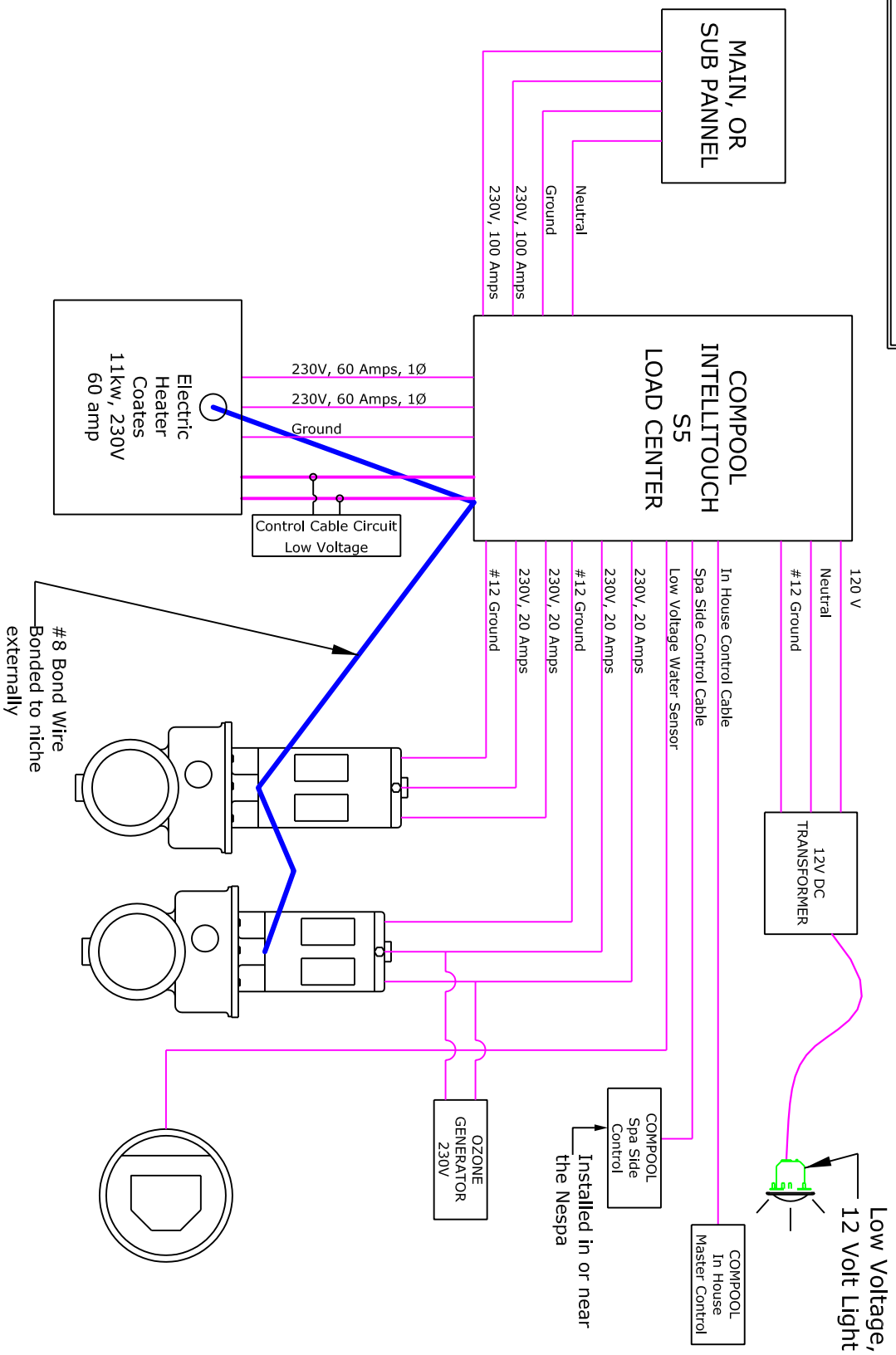
SCALE: N/A

DATE: 3/10/05

JOB :

DR #:

**NOTE:**  
THIS SCHEMATIC IS FOR CONCEPTUAL PURPOSES ONLY.  
ALL WORK SHALL BE PERFORMED BY A LICENSED  
ELECTRICIAN AND COMPLY WITH THE NATIONAL  
ELECTRICAL CODE, AND APPLICABLE LOCAL CODES.



These drawings, concepts, and details contained herein are the original proprietary designs of NESPA ENTERPRISES, developed over many years of experience in the pool and spa industry and as such are protected by the copyright laws of the United States Government. Reproduction of any of the above without written permission to do so by NESPA ENTERPRISES, is illegal.