

NESPA ENTERPRISES INC.

2800 Richter Ave. Suite C

Oroville, CA 95966

Office: (530) 534-9910 Fax: (530) 534-9915

E-Mail: sales@tiledspas.com www.tiledspas.com

SPA & SWIMSPA COMBO

SWIMSPA DETAIL

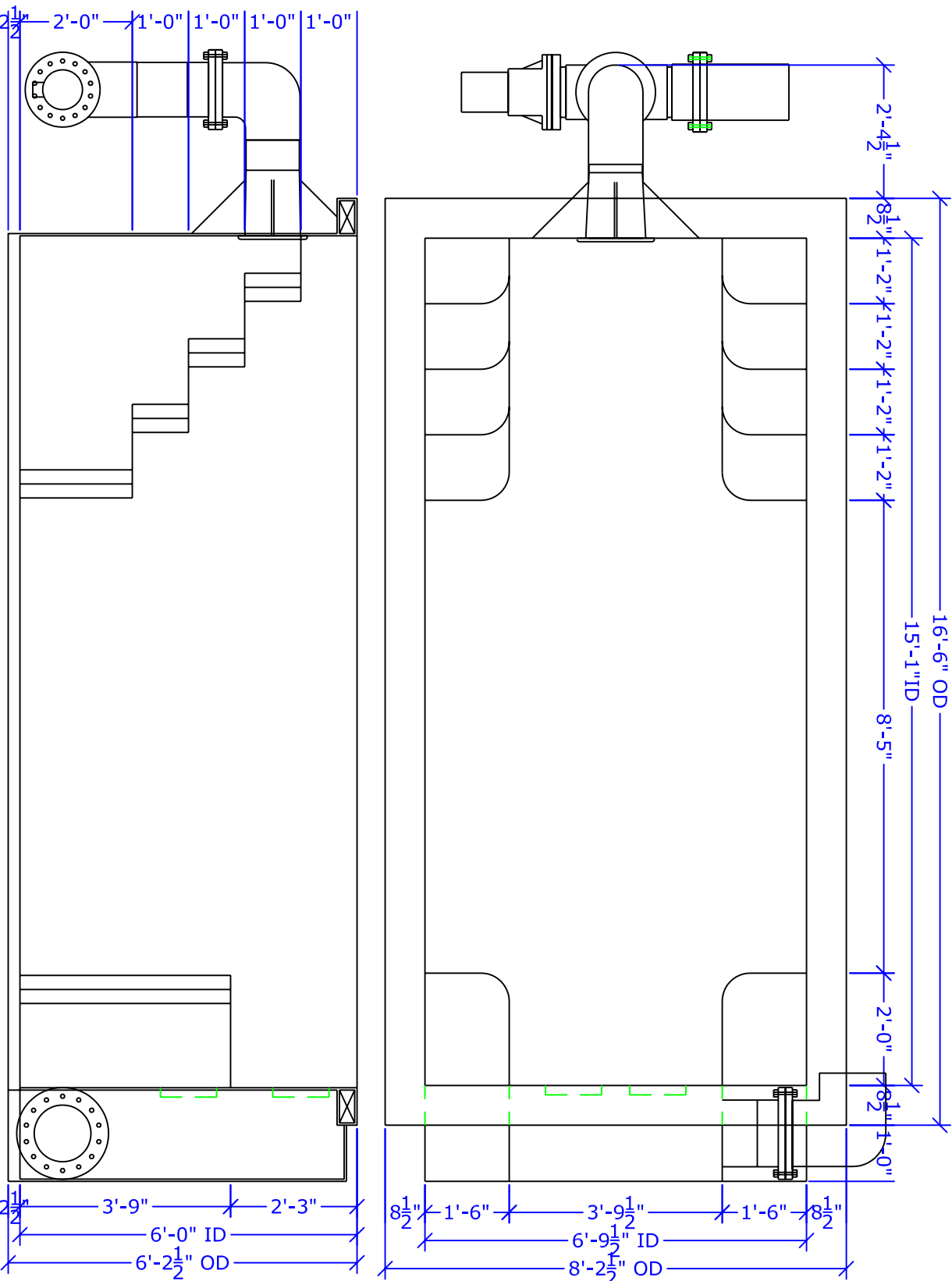
ALL DIMENSIONS SUBJECT TO 1/4" TOLERANCES

SCALE: 3/8" = 1'-0"

DATE: 04/13/05

JOB: MULLINS

DR #: KPS-SSC-SSD03



These drawings, concepts, and details contained herein are the original proprietary designs of NESPA ENTERPRISES, developed over many years of experience in the pool and spa industry and as such are protected by the copyright laws of the United States Government. Reproduction of any of the above without written permission to do so by NESPA ENTERPRISES, is illegal.

NESPA ENTERPRISES INC.

2800 Richter Ave. Suite C
Oroville, CA 95966

Office: (530) 534-9910 Fax: (530) 534-9915

E-Mail: sales@tiledspas.com www.tiledspas.com

SPA & SWIMSPA COMBO

SPA DETAIL

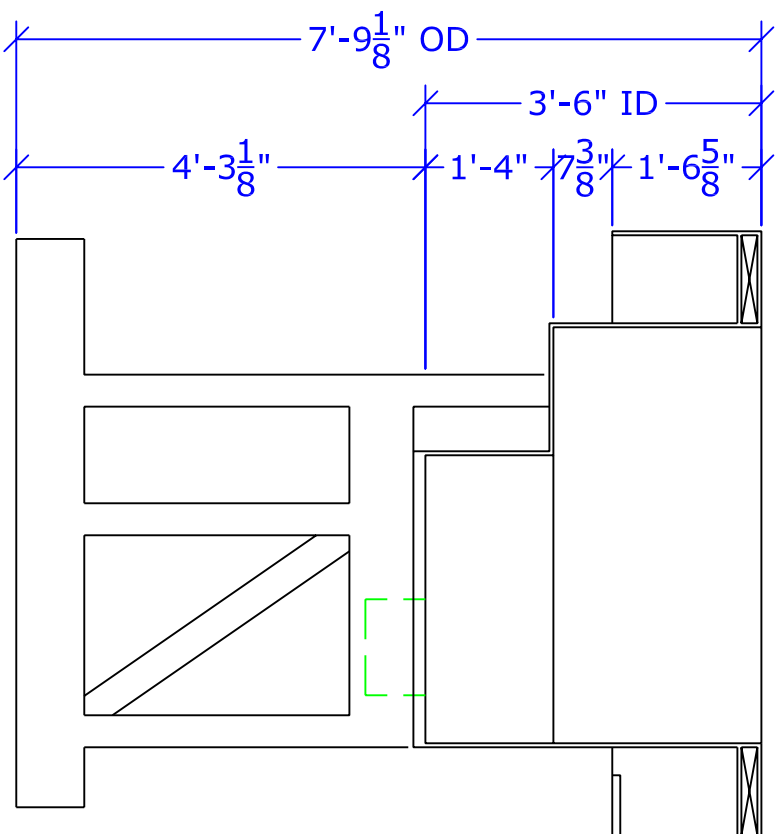
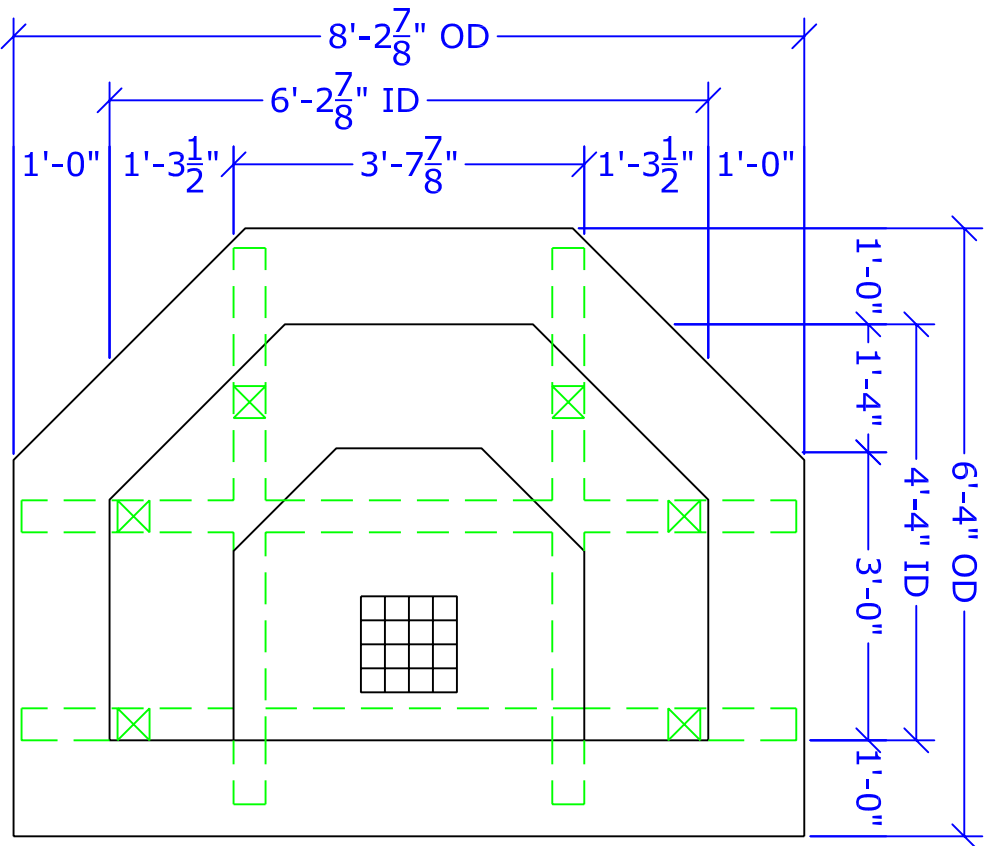
ALL DIMENSIONS SUBJECT TO 1/4" TOLERANCES

SCALE: 1/2" = 1'-0"

DATE: 04/07/05

JOB: MULLINS

DR #: KPS-SSC-SD02



These drawings, concepts, and details contained herein are the original proprietary designs of NESPA ENTERPRISES, developed over many years of experience in the pool and spa industry and as such are protected by the copyright laws of the United States Government. Reproduction of any of the above without written permission to do so by NESPA ENTERPRISES, is illegal.