

NESPA ENTERPRISES INC.

2800 Richter Ave. Suite E
 Oroville, CA 95966
 Office: (888) 479-4677 Fax: (530) 534-9915
 E-Mail: sales@tiledspas.com www.tiledspas.com

RIMINI

SCALE: 1/2" = 1'-0"

DATE: 7/12/02

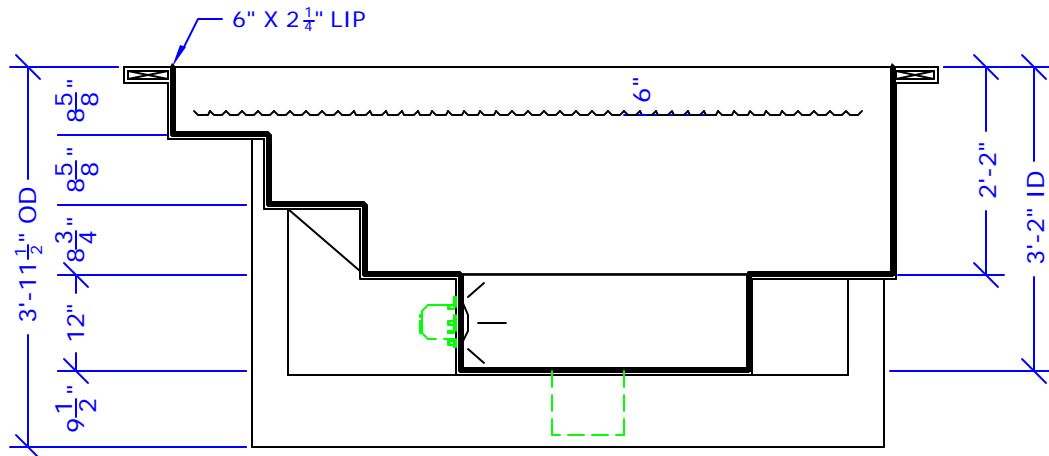
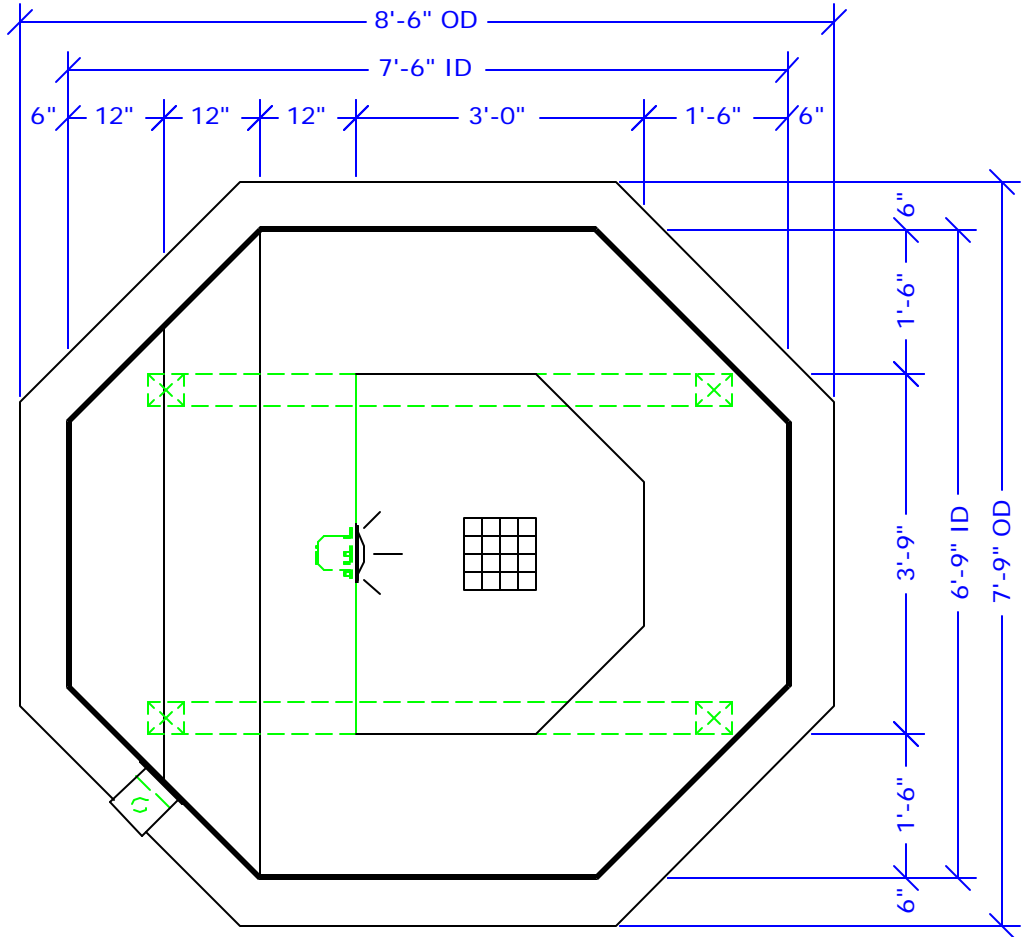
JOB :

RESIDENTIAL

SKID SUPPORT STRUCTURE	
MAIN DRAIN	9" X 9"
LIGHT NICH	
JACUZZI SV FRONT ACCESS SKIMMER	

SPECIFICATIONS

DRY WEIGHT: 1300 lbs.
 WET WEIGHT: 6300 lbs.
 WATER: 600 GALLONS
 SURFACE AREA: 43 sq.ft.
 IAPMO#: 1138
 FDA#: 2030305



ALL DIMENSIONS SUBJECT TO 1/4" TOLERANCES

These drawings, concepts, and details contained herein are the original proprietary designs of NESPA ENTERPRISES, developed over many years of experience in the pool and spa industry and as such are protected by the copyright laws of the United States Government. Reproduction of any of the above without written permission to do so by NESPA ENTERPRISES, is illegal.